

Sorting without Restrictions.

HE HOMAG

Collating Center
SORTEQ R-200

YOUR SOLUTION







Sorting in batch size 1 with efficiency increase in the management of shelf systems.

Sorting in batch size 1 - that is possible with the collating center SORTEQ R-200. Arriving panel streams are decoupled, sorted and provided to the next process in ideal order, e.g. for assembly, and tour sequence or in color, shape, or dimensions.

YOUR SOLUTION

MEHR: [HOMAG.COM](https://www.homag.com)



SORTEQ

CONTENT

- 04 Collating Center SORTEQ R-200
- 06 Construction & Features
- 10 Technical data



Collating-Center - SORTEQ R-200

The SORTEQ R-200 collating center works like a logistics center. Process steps such as cutting, edging and drilling are separated, which means that the material flow can be controlled individually to enable maximum added value in each process step. The order for parts production can be defined individually so that they are suitable as a commission for final assembly or for dispatch.



On the SORTEQ R-200, the **switch cabinet** is attached directly on the carriage. This makes service easier, saves costs and reduces the amount of space required around the collating center.



Optimal sorting sequence with no waiting times: Incoming part flows are separated, sorted and organized in the ideal order for the subsequent process. The processing status and the respective position of the workpieces in the sorting device are clearly visible.



Carriage with 3+1 fixed edge system: The 3+1 carriage concept offers the required flexibility for freely definable material flow strategies. When the parts are removed from the conveyor belt, the material is positioned precisely so that shelf compartments are filled optimally.



Ideal use of space in each compartment: In the SORTEQ R-200, workpieces can be stored behind and next to each other, thus allowing the available area to be used optimally.

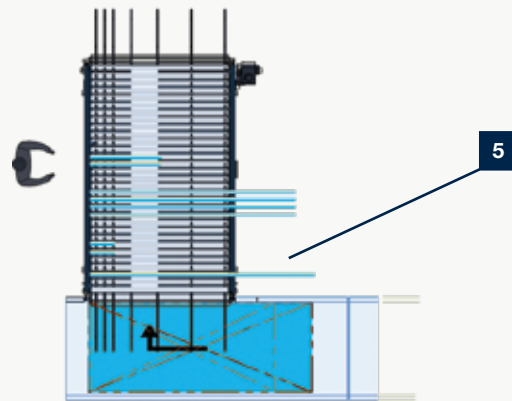
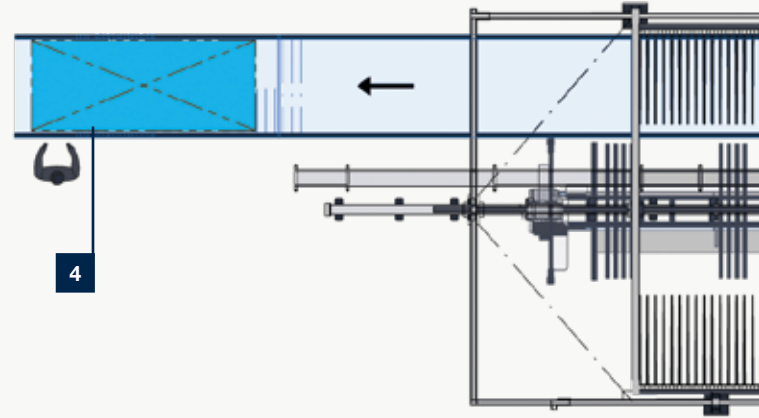
approx. **8-45** meters
unitized scalable shelf length by HOMAG
modular system

Improved approach dimensions at the top and bottom, thus better utilization of the shelf height.

Carriage with **3+1**
fixed edge system for a high panel spectrum

Reduced waiting times due to easily replaceable drive wheels and changeover of the lifting drive to steel rope

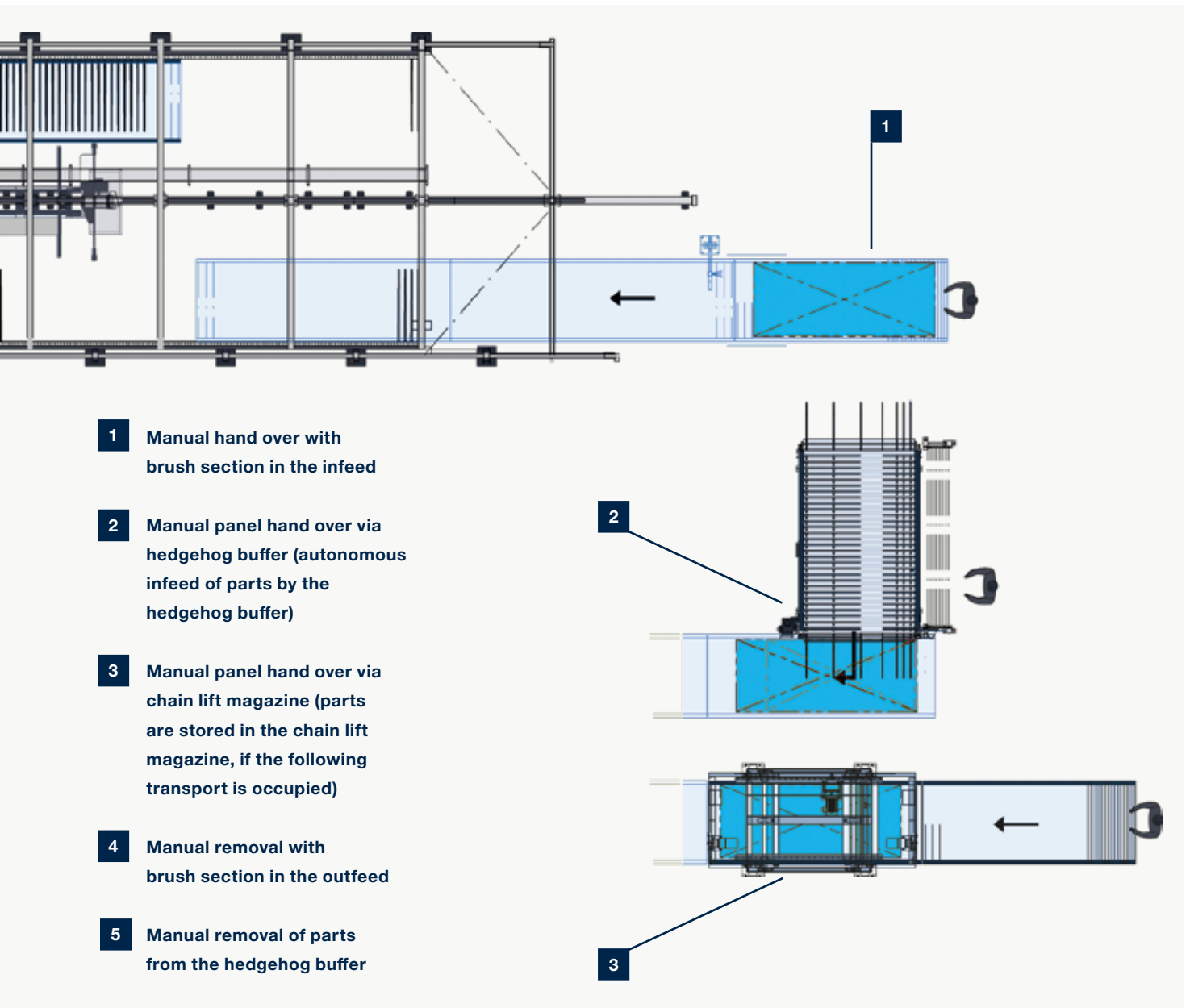
3,9-11 meters
unitized scalable shelf height by HOMAG
modular system



Sorting in batch size 1 - that is possible with the collating center SORTEQ R-200

Arriving panel streams are decoupled, sorted and provided to the next process in ideal order. The material is exactly positioned already when taken out of the transport belt. The new designed carriage whose surface can be flexibly used will be especially helpful in this respect.

In the SORTEQ R-200 it is possible to ideally fill the sheds, to store workpieces multiple times in a row and side by side and to optimally use the available space. The SORTEQ R-200 buffers, sorts and collates the material flow with almost superhuman reliability over the whole process chain.



Manual parts supply: At the manual workstation, workpieces are passed on to the collating center manually. The workpieces are stored temporarily and sorted in the SORTEQ before being forwarded to the next production step.



Material transfer from the SORTEQ R-200: Workpieces are forwarded on to the subsequent processing step on an order-by-order basis via transport routes that are connected to the collating center.

HC LIFE CYCLE SERVICES

Optimal service and individual consultations are included in the purchase of our machines. We support you with service innovations and products which are especially tailored to your requirements. With short response times and fast

customer solutions we guarantee consistently high availability and economical production – over the entire life cycle of your machine.



REMOTE SERVICE

- Hotline support via remote diagnosis by our trained experts regarding control, mechanics and process technology. Thus, more than 90% less on-site service required and consequently a faster solution for you!
- The ServiceBoard App helps to solve tasks in a fast, simple and concrete way. This is achieved by mobile live video diagnosis, automatic sending of service requests or the online spare parts catalog eParts.



SPARE PARTS SERVICE

- High spare parts availability and fast delivery.
- Ensuring quality by predefined spare parts and wear parts kits, comprising original spare parts.
- Identify and inquire for spare parts online under www.eParts.de 24/7, or buy even faster and more comfortably in the new HOMAG Webshop eCommerce.



MODERNIZATION

- Keep your machinery up to date and increase your productivity as well as your product quality, This is how you can meet tomorrow's requirements today!
- We support you with upgrades, modernization as well as individual consultancy and developments.



DIGITAL SERVICES

- ISN (intelliServiceNet) – The new remote service solution of the future! Fast restart of production because the remote service employee has extensive access to relevant physical data.
- intelliAdvice App – provides help for self-help. The preventive solutions proposed in the new App are the combination of our experiences and existing machine data.



SOFTWARE

- Telephone support and consultancy through software support.
- Digitalization of your spare parts via 3D scanning saves time and money compared to new programming.
- Subsequent networking of your machinery with intelligent software solutions ranging from construction to production.



FIELD SERVICE

- Increased machine availability and product quality by certified service staff.
- Regular checks through maintenance / inspection guarantee the highest quality of your products.
- We offer you the highest availability of technicians in order to reduce downtimes in case of unpredictable troubles.



TRAINING

- Thanks to training perfectly suited to your requirements, your machine operators can optimally operate and maintain the HOMAG machines.
- The training also include customer-specific training documents with exercises proven in practice.
- Online training and webinars. Learn without traveling, meet your trainer in the digital classroom.

For you more than ...

1,350

service employees worldwide

90%

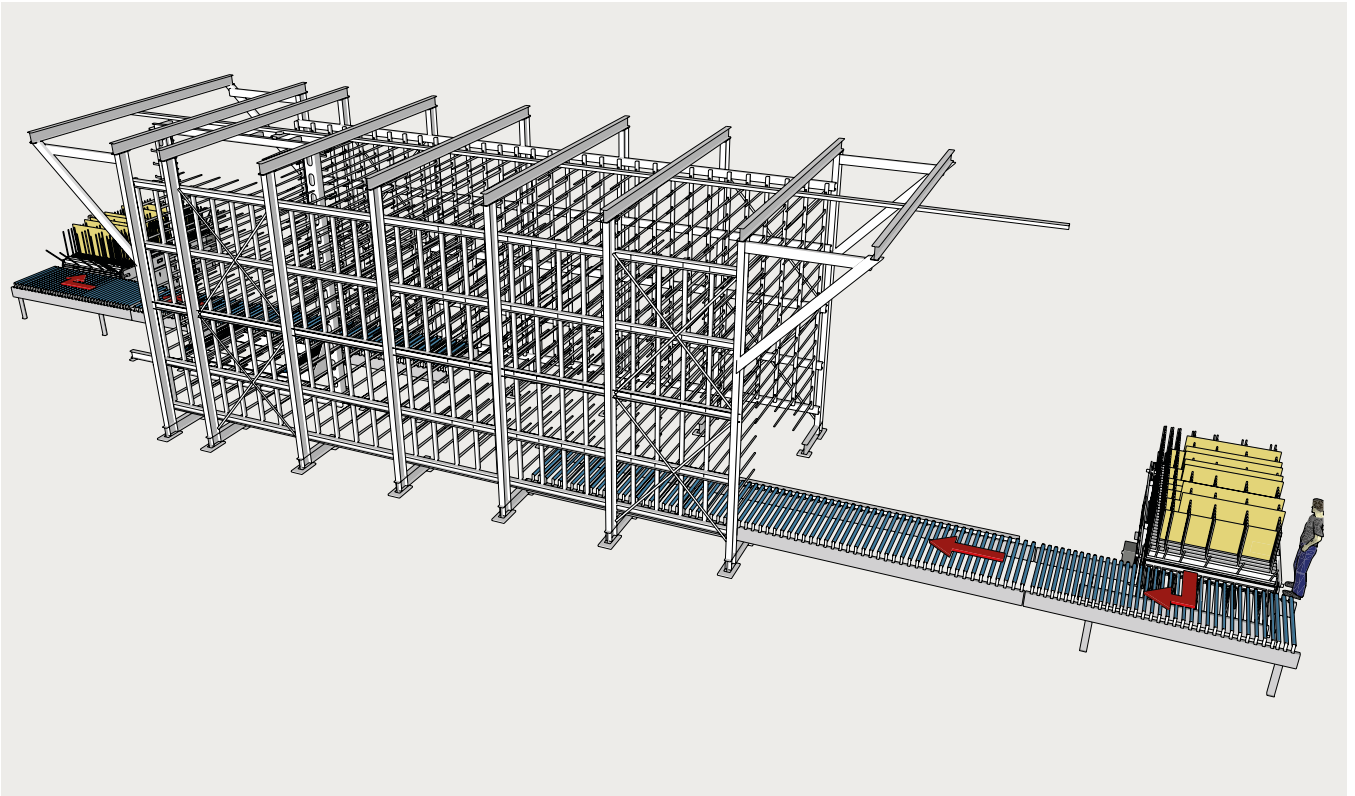
less on-site service thanks to successful remote diagnosis

5,000

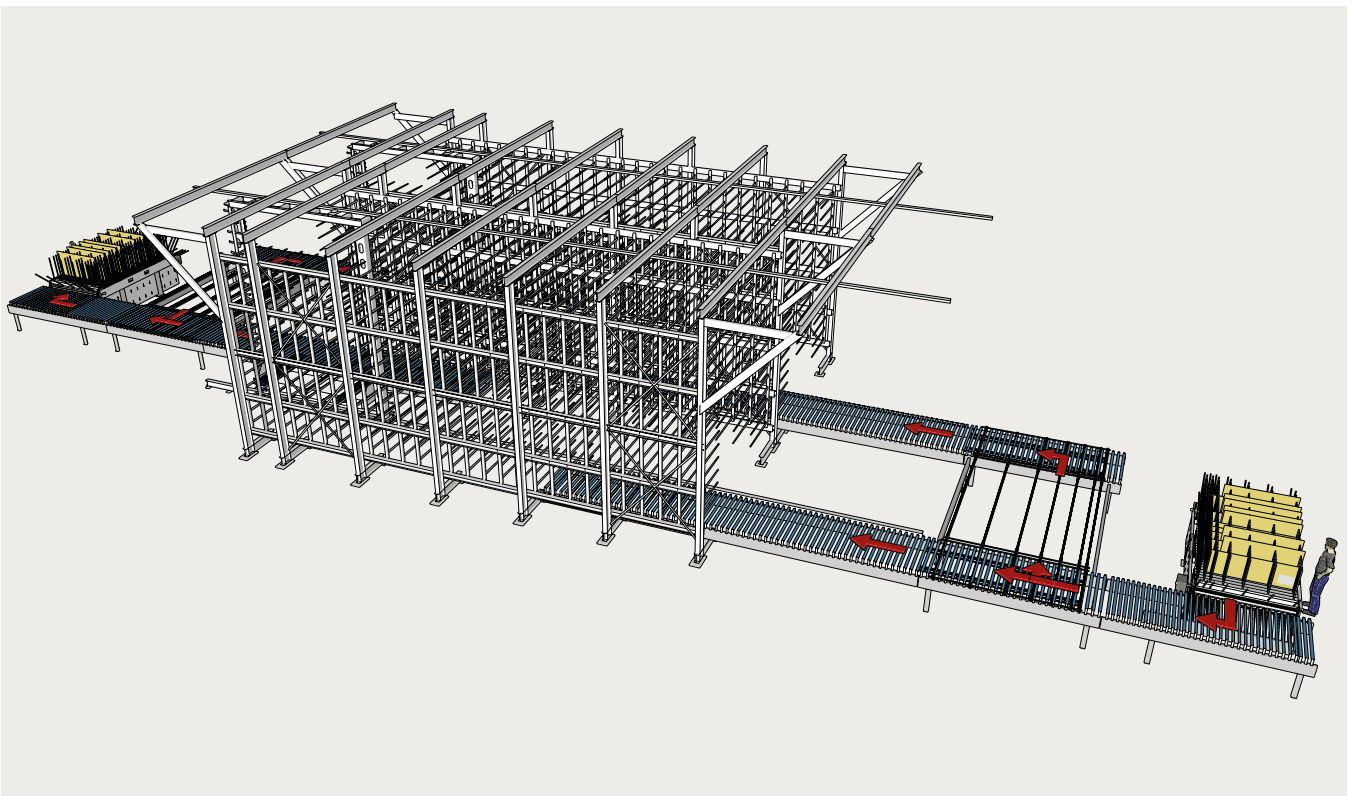
customer training sessions per / year

150,000

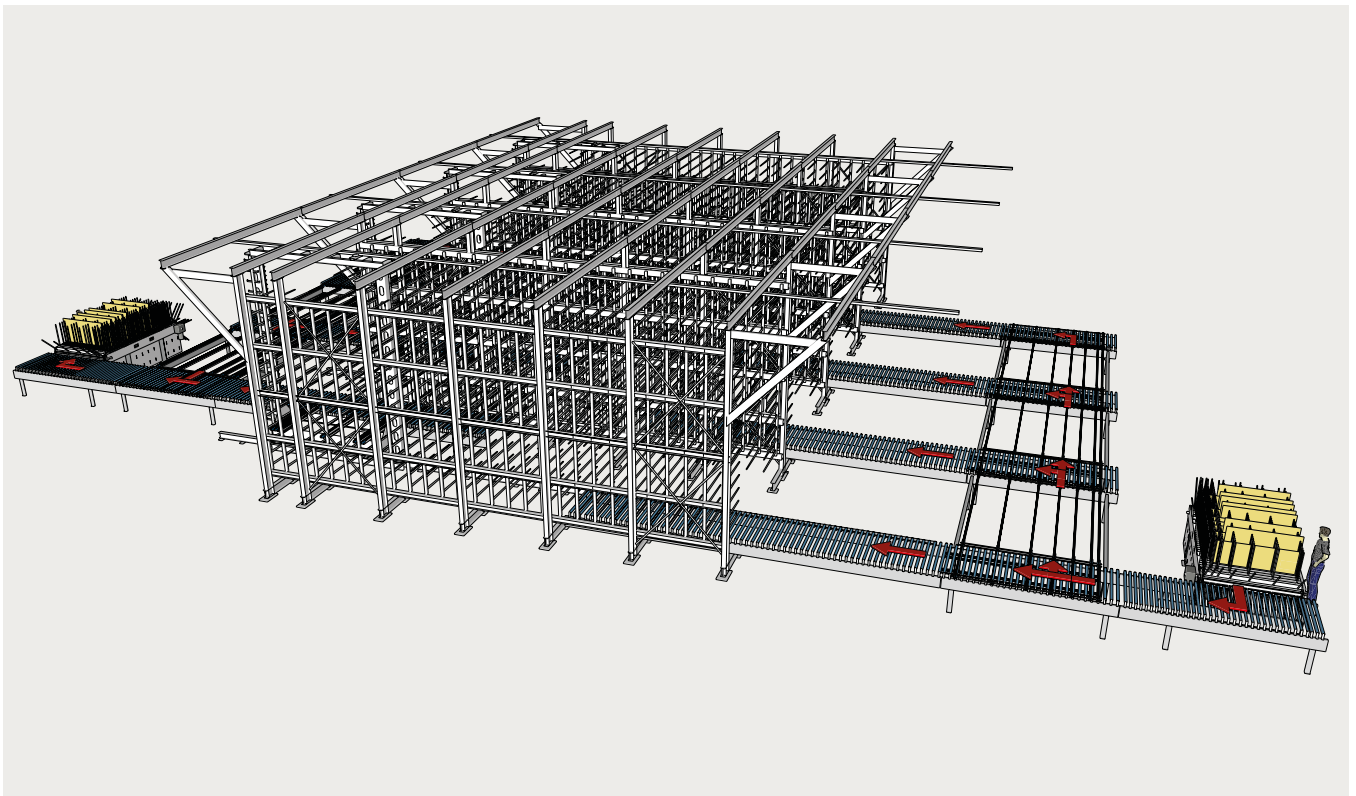
machines, all electronically documented in 28 different languages – in eParts



Collating Center SORTEQ R-200 Design with one alley, unitized scalable by HOMAG modular system



Collating Center SORTEQ R-200 Design with two alleys, unitized scalable by HOMAG modular system



Collating Center SORTEQ R-200 Design with four alleys, unitized scalable by HOMAG modular system.

COLLATING CENTER		
Machine dimensions	SORTEQ R-200	Storage rack TLR 211/D
Total height (mm)	3,900 – 10,740	3,900 – 10,740
Total length (mm)	17,480 – 54,480	8,800 – 45,100
Workpiece Parameters		
Workpiece length (mm)	240 – 3,050	240 – 3,050
Workpiece width (mm)	70 – 1,250	70 – 1,250
Workpiece thickness (mm)	8 – 60	8 – 60
Workpiece weight (kg)	max. 100	max. 100

SORTEQ R-200 OCCUPANCY			
Possible occupation of fixed edges	version 1	version 2	version 3
	3 x 240 mm – 890 mm	1 x 240 mm – max. 890 mm	1 x \geq 890 mm – \leq 2,010 mm
	2 x \geq 890 mm – \leq 1,440 mm	1 x \geq 890 mm – \leq 2,010 mm	1 x 240 mm – max. 890 mm
	1 x $>$ 1,440 mm – 3,050 mm		

MEHR: HOMAG.COM



STORETEQ

HOMAG Group AG

info@homag.com

www.homag.com



YOUR SOLUTION