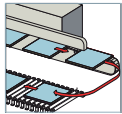


patent pending AZ 20 2010 002 285.1



## ZHR 540 BOOMERANG® Portal Type Return Conveyor

**Portal-type return conveyor for the one-man operation at one-sided edge-banding machines.**

- 2 in 1 - Stacking and return-conveying for a high performance and more flexibility
- High quality up to every detail
- Highly precise linear guideway for a higher dynamics and an improved positioning accuracy
- Stacking without pit
- Convenient handling even of large-sized parts

- Careful handling of surface and edges thanks to the portal equipment with a new suction crossrail
- Collection function for a high performance even of small-sized parts (optional)



- Energy savings of up to 30% thanks to a new electric drive of the z-axis

ZHR 30

**ZHR 540**

ZHR 340

ZHR 05

ZHR 02

ZHR 01



LIGMATECH Automationssysteme GmbH  
Phone: +49 37323 160  
info@ligmatech.de · www.ligmatech.de

Assembly | Packaging | **Automation**



## ZHR 540 BOOMERANG® Portal Type Return Conveyor

Workpieces coming from the basic machine are taken over by synchronously driven drawing belts, their length, width, and thickness are measured and they are conveyed on a belt conveyor to the taking-up position in an exact position under the suction crossrail.

The workpieces are picked up by means of the suction crossrail and deposited onto a conveyor belt in an unturned/turned way that conveys the workpieces back. At the end of the conveyor belt, the workpieces are supplied to the operator on an undriven roller track.

For the flexible utilization, it is possible to operate the machine in six working modes as a standard solution:

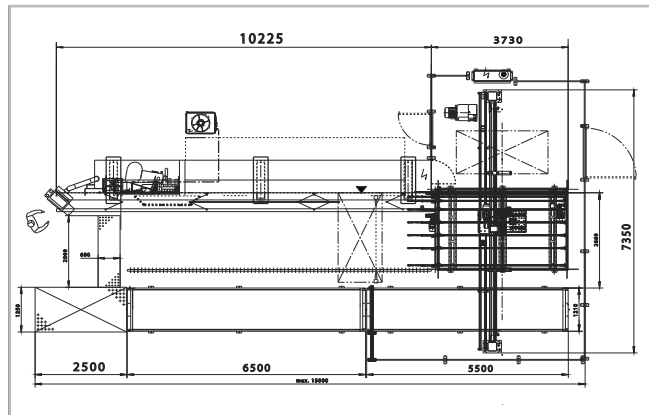
- Turning of the workpieces 0°
- Turning of the workpieces + 90°
- Turning of the workpieces - 90°
- Turning of the workpieces 180°
- Automatic mode „turning depending on the width“

Turning is done in one direction.

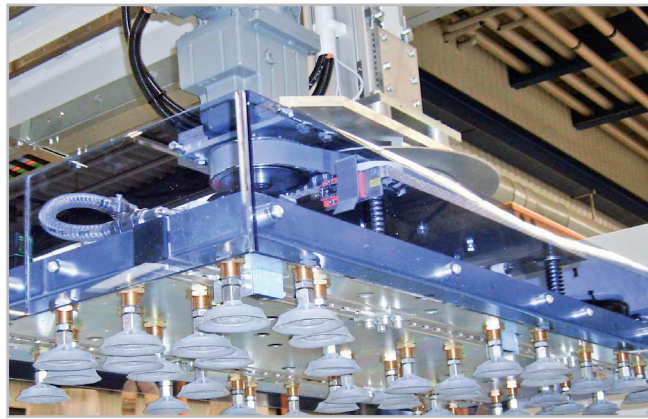
- Conveying-through for manual unloading

### Design:

- Touch screen input mask at the loading side of the basic machine plus manual operation
- Belt conveyor and taking-over belt from the basic machine
- Portal with motorized x-axis and z-axis axles as well as motorized turning axle with vacuum suction crossrail (asynchronous drives with frequency converter)



Layout example: ZHR541



	ZHR 540	ZHR 541	ZHR 542
Return	yes	yes	yes
1 Destacking place	no	yes	yes
2 Destacking places	no	no	yes
Part length	240 - 3.000 mm		
Part width	120 - 1.200 mm		
Part thickness	8 - 60 mm		
Working height	835 - 960 mm		
Feed	12 -36 m/min		
Control	power control HOMAG Flexline		



**lifeline | service**

- **eparts** Spare parts ordering online - around-the-clock !
- **ZHR 540 emergency package**
- **WE CARE - Full service package**  
warranty extension, inspection, data storage...

Assembly | Packaging | **Automation**