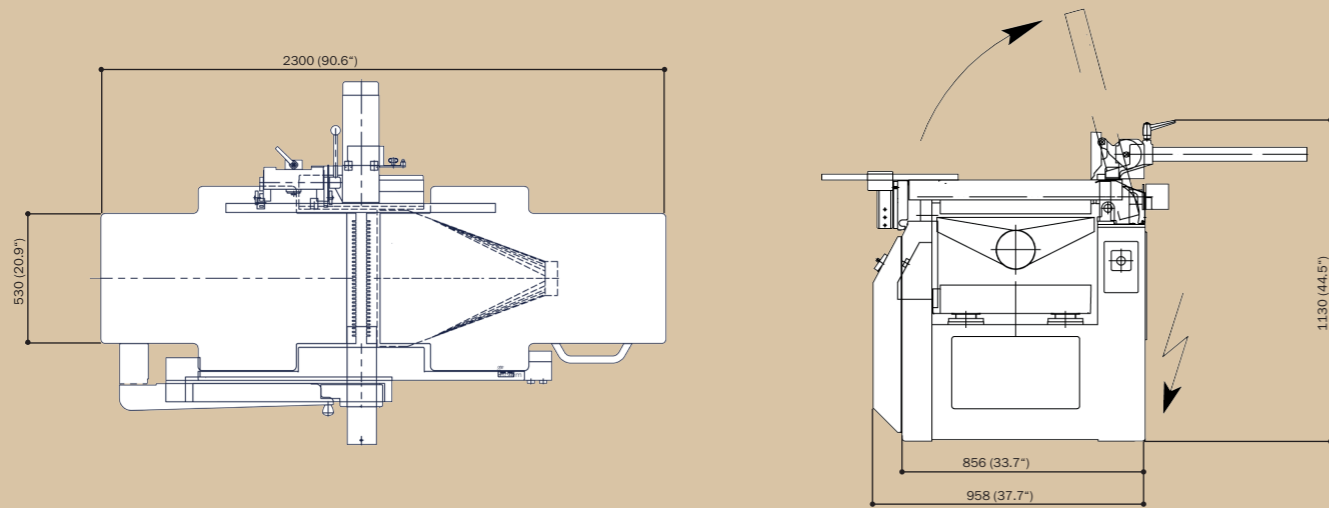


Technical Data



	TP 300
Planing width (surfacing/thicknessing)	530 mm (20.9")
Max. depth of cut (surfacing)	8 mm (0.3")
Fence tiltable	90° to 45°
Planing height (thicknessing)	3 - 250 mm (0.1" - 9.8")
Max. depth of cut (thicknessing)	8 mm (0.3")
Feed rate (thicknessing)	6 - 12 rpm
Diameter of cutter block	120 mm (4.7")
Cutter block speed	5000 rpm
Cutter block	Z4 (four-knife)
Length of infeed table	1240 mm (48.8")
Length of outfeed table	1060 mm (41.7")
Length of thicknessing table	920 mm (36.2")
Motor power	5,5 kW (7,5 HP)
Weight	980 kg (2156 lbs)

Dimensions and specifications are subject to technical innovations and change without prior notice. Images can differ from the original.



Sägen

Hobeln

MARTIN

Fräsen

Bohren

**TP300 Combination Surfacing and
Thicknessing Machine**

Otto Martin Maschinenbau GmbH & Co. KG
Langenberger Straße 6
87724 Ottobern
Deutschland

Tel. +49(0)8332 911-0
Fax +49(0)8332 911-180
sales@martin.info
www.martin.info

TP300 Combination Surfacing and Thicknessing Machine

The combined surfacing / thicknessing machine to suit every application

With the TP300 you get a first-class machine with a minimum footprint. Thanks to the heavy-duty cast iron table and the powerful feed motor, this compact machine provides top-notch working results right from the start.

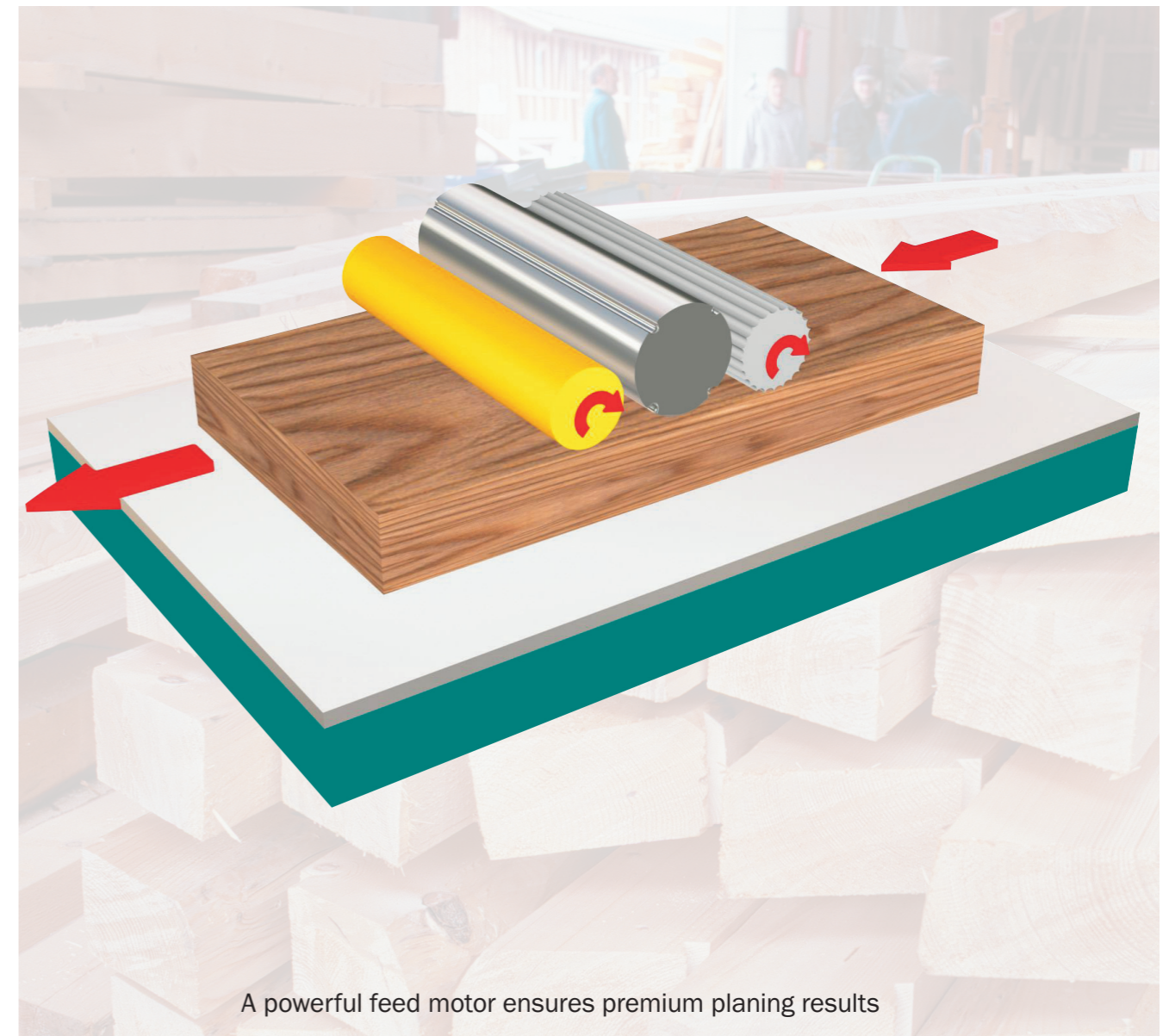
The machines' ease of use and ergonomic operability allows the operator to reduce expensive set-up times. Changing from a surfacing operation to a thicknessing operation and vice versa is done within seconds. The machine can also be equipped with an optional pneumatic lifting and lowering device for the machine tables. The

integrated dust collection port is always in the correct position and does not have to be switched around. The depth of cut as well as the surfacing fence can be set quickly and precisely. The thicknessing table that is positioned via four lifting spindles ensures precise working results. The height adjustment is motorized and can be

set in a matter of seconds to a digital display that can also be integrated in the control. With a whole range of useful options the TP300 is capable of handling any job you can think of and the user-friendly design will be sure to win you over.



TP300 Basic Equipment



A powerful feed motor ensures premium planing results

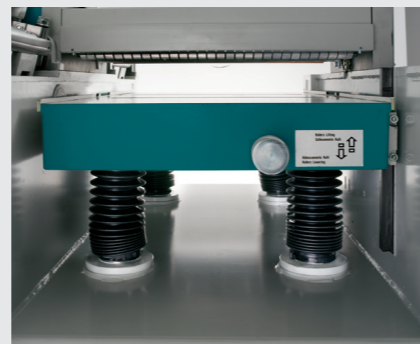
The table can be lifted quickly and easily. A hydraulic lifting device is also available (Option TP300050)



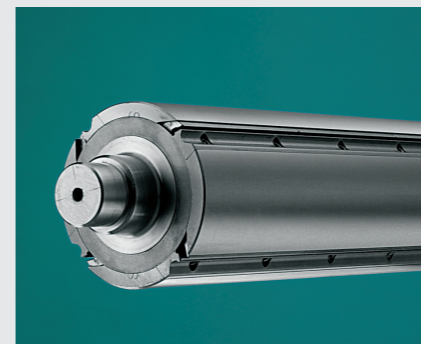
The two-part guard offers convenience and safety (Option TP300160)



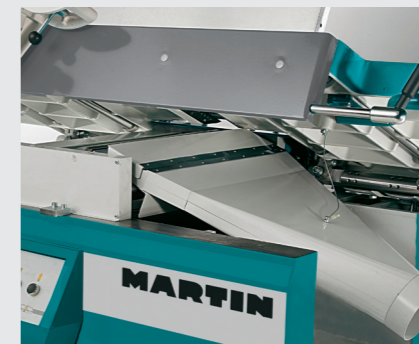
The machine table is positioned on four spindles



Quick knife changes thanks to the TERSA cutterblock (Option TP300190)



The dust port is always in a convenient position whether you have to do surfacing or thicknessing work



Idle rollers in the thicknessing table help to support and feed large cross-sections of wet timber (Option TP300120)

