



## Vacupress TCE-2812

### Cold Membrane Vacuum Press

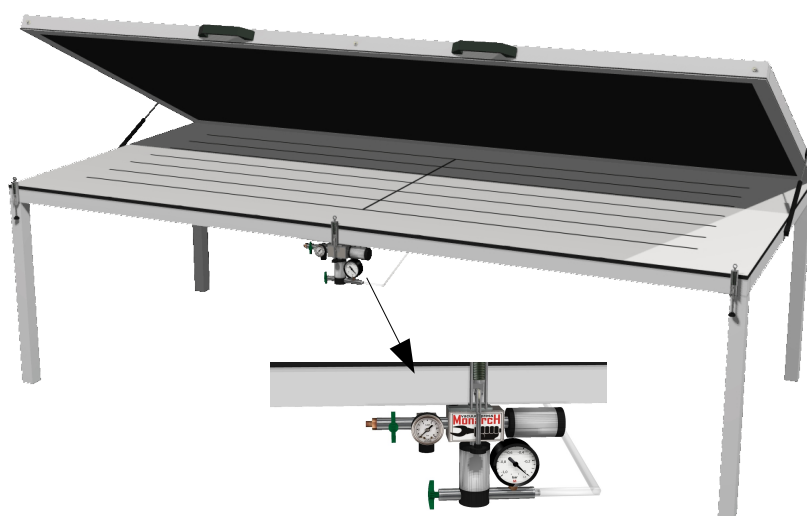
TCE-2812 is cold vacuum membrane press for veneering, laminating and bending of all types of wood. Press is equipped with a ejector and electronic control of vacuum level. Press is equipped with vacuum-meter, which at all times show the vacuum level of working table and with a pressure gauge that indicates pressure of the air passing through the ejector (Venturi pipe). Hinges and latches with flexible connectivity, allowing control of seating force of framework to the working area. The control panel provides a clear insight into the working process.

#### PRODUCT INFORMATION

- Vacuum press is designed for individual productions
- Duration of veneering process takes approx. 40 min
- Bending 3x3 mm MDF + 2xHPL takes approx. 3,5 h
- It is possible to adjust the dimensions of presses, and the technical requirements to customer needs

#### TEHNIICAL DETAILS

- Max. Vacuum pressure 7 t/m<sup>2</sup>
- 13 mm compact press board
- Natural rubber (NR) membrane 2mm thick (black)
- Membrane ductility 500%



| Code       | Working Area | Membrane |        | Max. Pressing Height |
|------------|--------------|----------|--------|----------------------|
|            |              | Type     | Height |                      |
| TCE-G-2812 | 280 x 120 cm | NR       | 2 mm   | 500 mm               |
| TCE-G-3112 | 310 x 120 cm | NR       | 2 mm   | 500 mm               |
| TCE-G-4212 | 420 x 120 cm | NR       | 2 mm   | 500 mm               |

NR – Natural Rubber

#### Delivery:

- Delivery time: 2 weeks on standard items, 4-6 weeks for custom sizes
- Shipping: Ex Works Veternik (Novi Sad), SERBIA
- Payment: 30% in advance, 70 % before delivery
- Warranty: 2 Years, except for the membrane

Price and technical characteristics reserved to change without notice.