



SEMI-AUTOMATIC MULTIBORING MACHINES

Single-head and multi-head machines



OUR TECHNOLOGY BEHIND YOUR IDEAS

startech - top 35 plus
top 35 e plus - multitech plus

Semi-automatic single-head and
multi-head boring machines



SEMI-AUTOMATIC BORING

DESIGN

CUTTING

EDGE BANDING

SEMI-AUTOMATIC BORING

CALIBRATING/SANDING

ASSEMBLY

startech 27
top 35 plus
top 35 e plus
multitech plus

EXCELLENCE IN
SEMI-AUTOMATIC BORING





Easy to use,
versatile, with
a wide choice
of options



Reliability for
life and with
precision



Productivity
and flexibility





Easy to use,
versatile, with
a wide choice
of options

startech 27



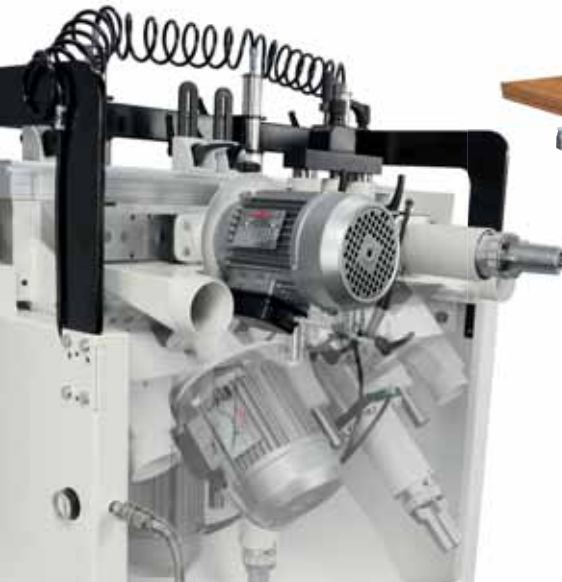
SEMI-AUTOMATIC SINGLE-HEAD
MULTIBORING MACHINE
WITH 27 SPINDLES



Rapid set up due to the 27 spindles with quick-release fittings



“Convenient selector, as standard, for the 0 - 45 - 90 automatic pneumatic head rotation”



Versatile, a wide choice of options... intelligent. Right/left guides which can be excluded from the table and L=3metre extensions

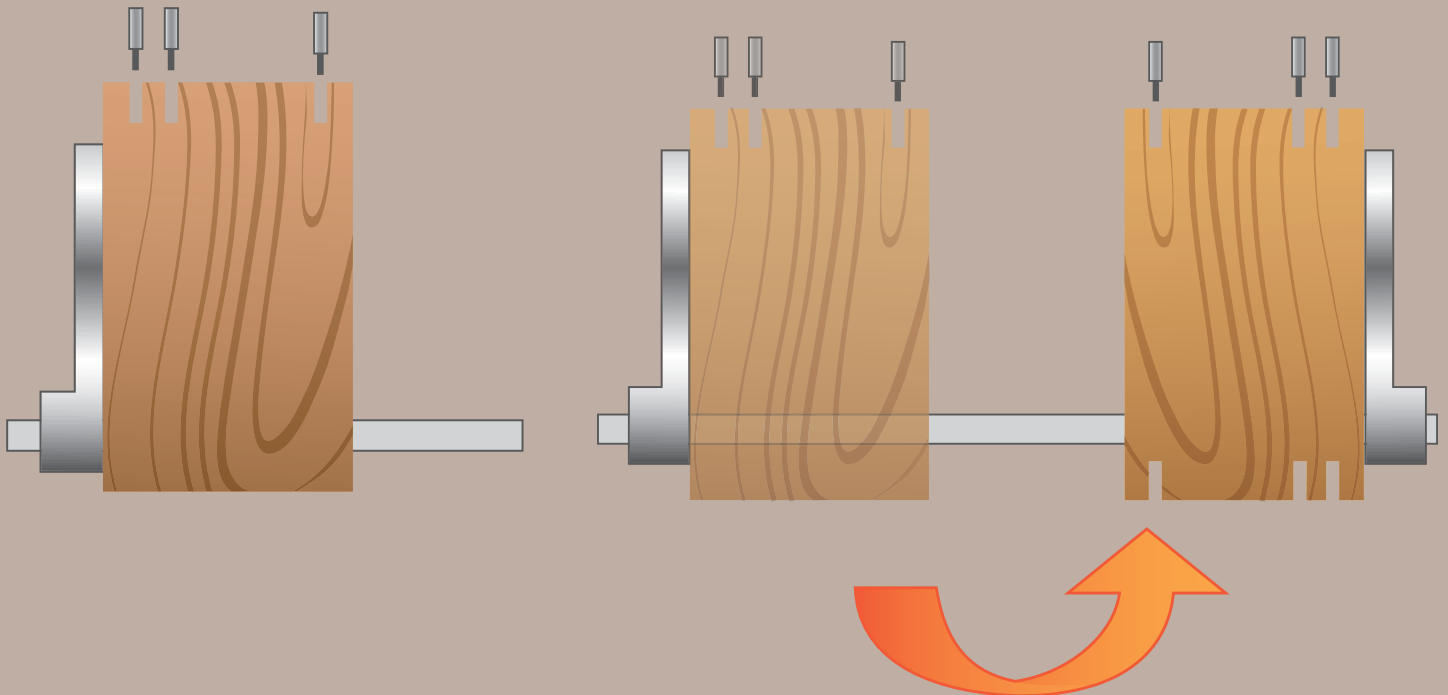
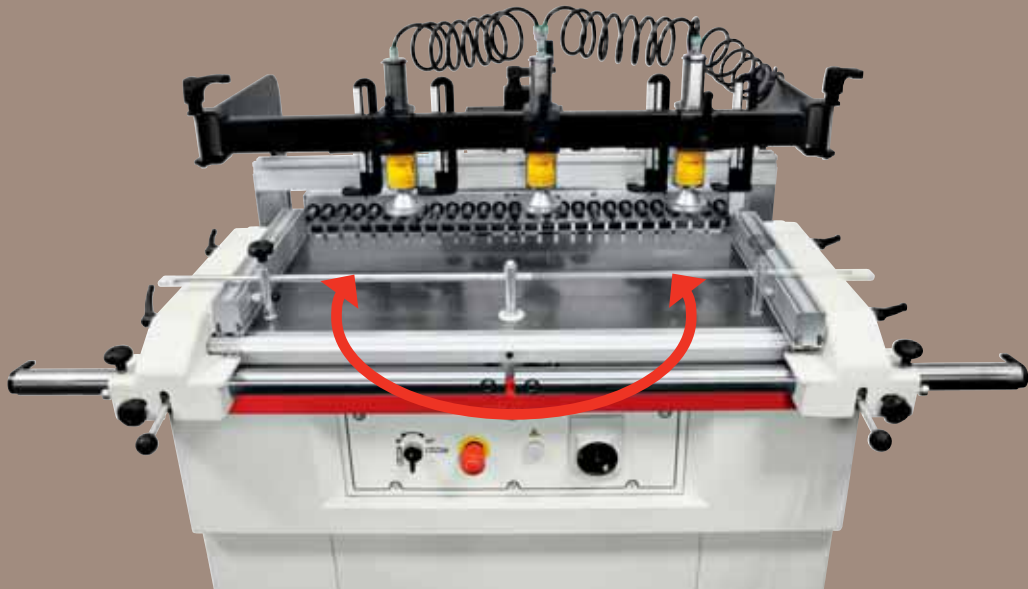


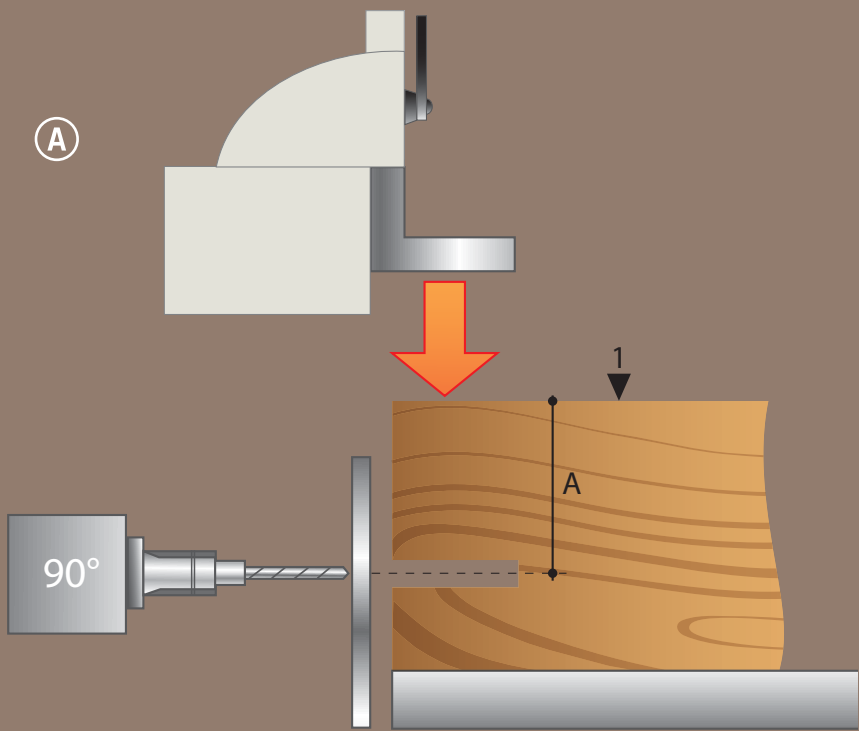
Easy to use,
versatile, with
a wide choice
of options

startech 27

Practical and precise with the nonius decimal scale and micrometric guides travel

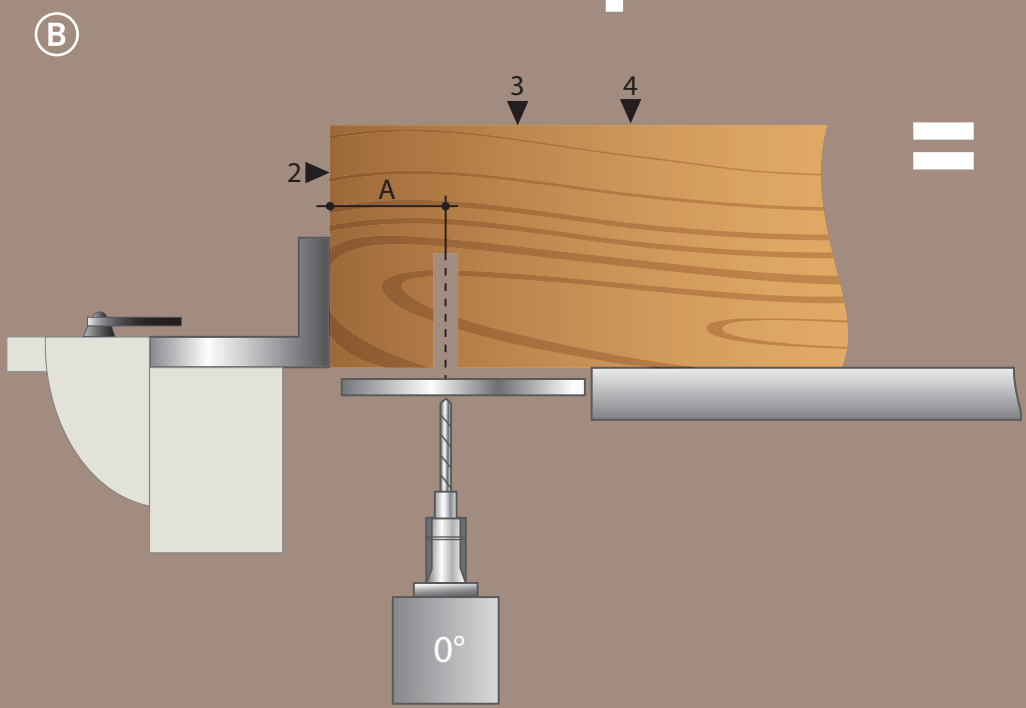
The compass, a simple tool for perfect mirror guide positioning



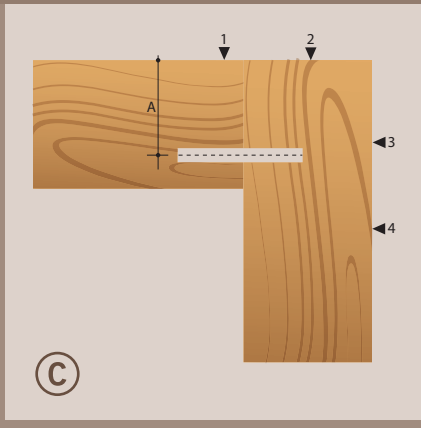


Perfectly aligned joints due to the depth stops with metric rule and work piece locking pistons

+



=



scmpremium



Easy to use,
versatile, with
a wide choice
of options

startech 27



5 position revolving turret for
always setting the correct
depth



The workshop is always clean
using the shaving suction by
means of an outlet on the
boring head and air conveyor
on the base



Group for the machining of
hinges (option)

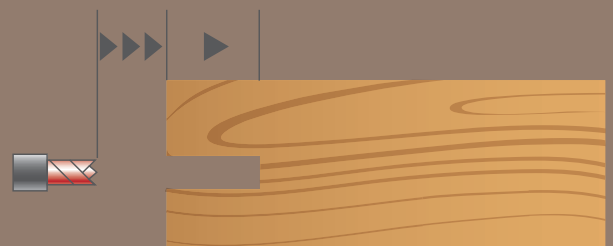




Device for horizontal boring at a 45° angle (option)



Device for boring narrow work pieces (option)



Faster boring with the servo-assisted boring unit down stroke speed adjustment (option)



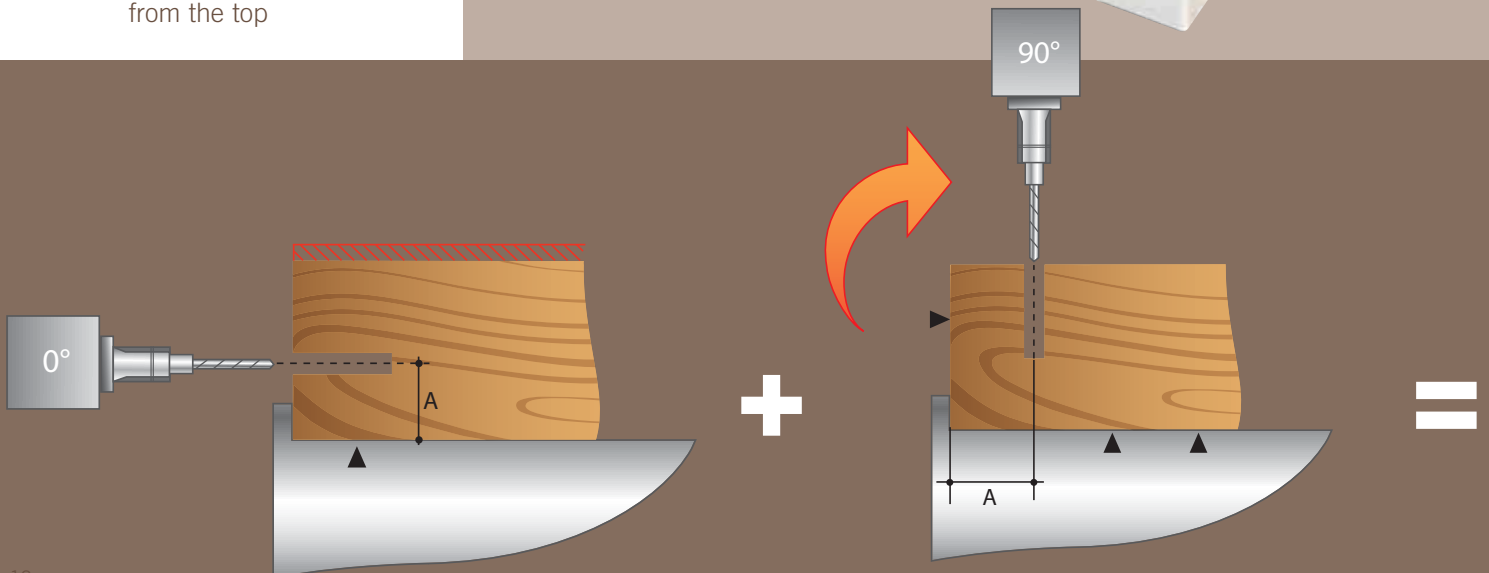
Reliability for
life and with
precision

top 35 plus
top 35 e plus

SEMI-AUTOMATIC SINGLE-HEAD
MULTIBORING MACHINE
WITH 35 SPINDLES

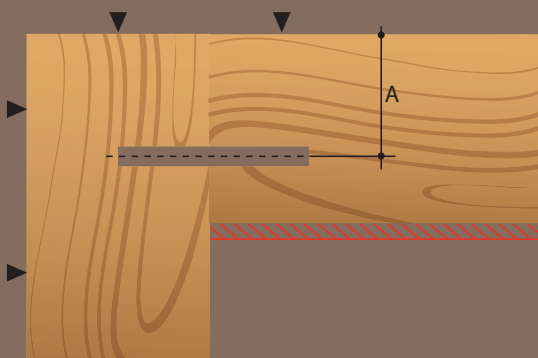


TOP 35 PLUS
The only borer that drills
from the top





TOP PLUS 35 E PLUS
The advanced borer with electronic readouts



ASSEMBLY HOLE PRECISION

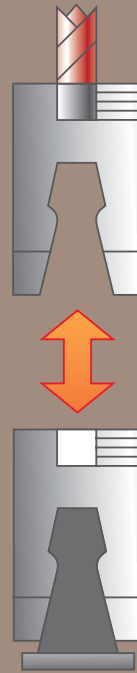
Overhead vertical boring means the Top Plus guarantees a constant, high-standard of boring precision that shows itself later during assembly of the panels. The system uses the outside of the panel as a reference and thus any differences in thickness are on the inside of the cabinet



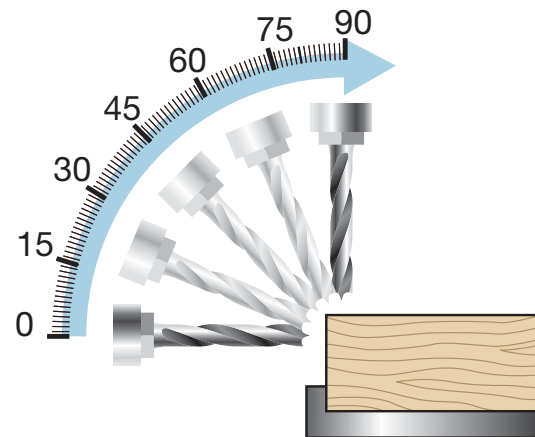
Reliability for
life and with
precision

top 35 plus
top 35 e plus

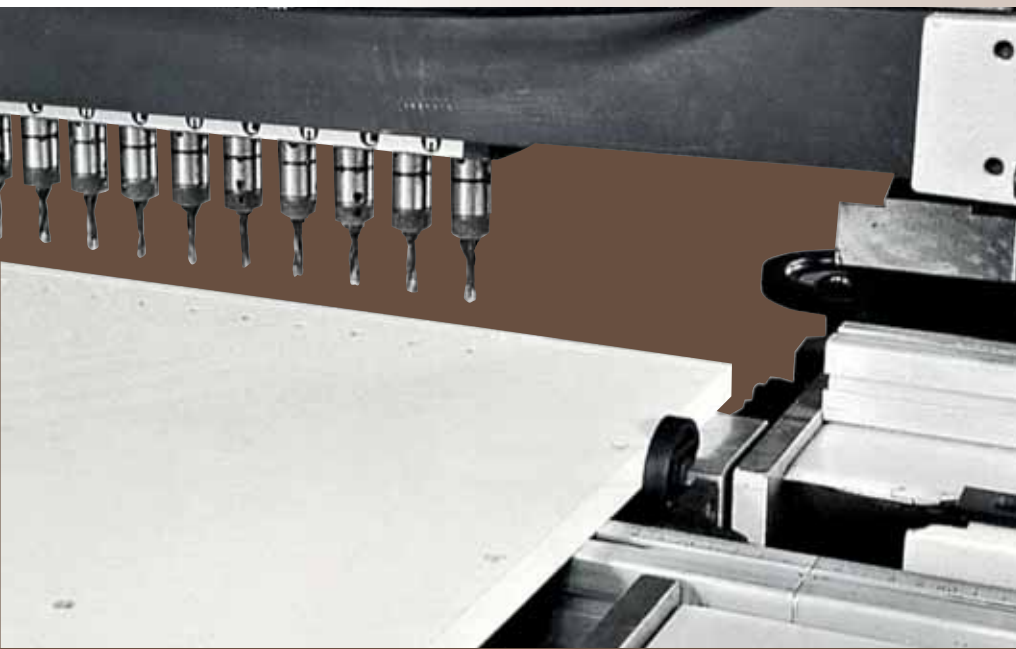
Boring head with 35 spindles with
quick-release fitting and 8 standard bushes



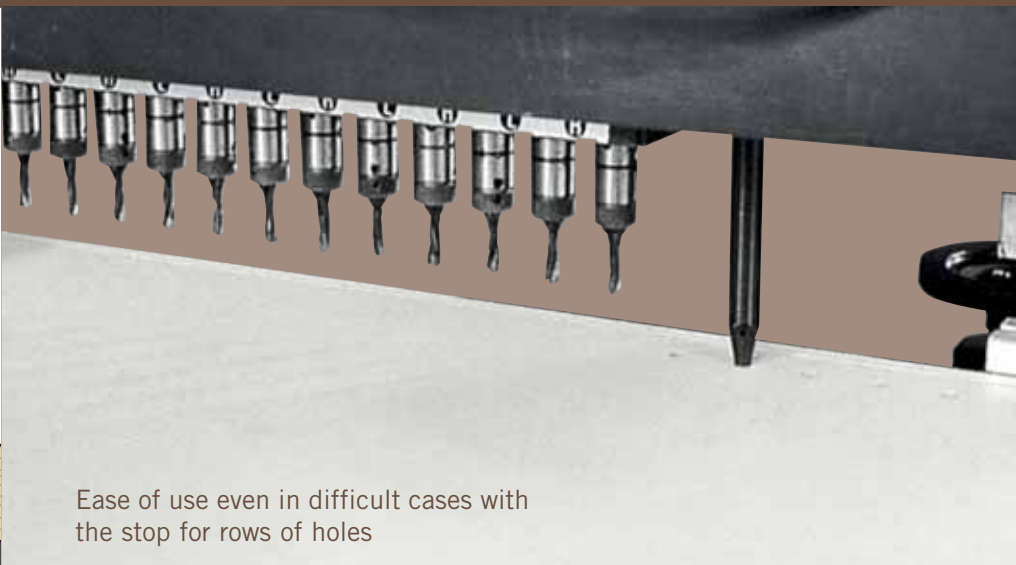
Strong and long-lasting machine
exploiting all the power of having
two motors



The best performance with powered
tilting which allows the positioning for
all angles from 0° to 90°



6 position revolving turret and mechanical stops on the work table provide speed and precision



Ease of use even in difficult cases with the stop for rows of holes



Hydraulic brake for a more precise boring speed control in reduced cycle times (option)



2 guides L=1500 and 4 retractable stops (option)



Frame for boring narrow work pieces (option)



Frame for boring at a 45° angle (option) ▶



Productivity
and flexibility

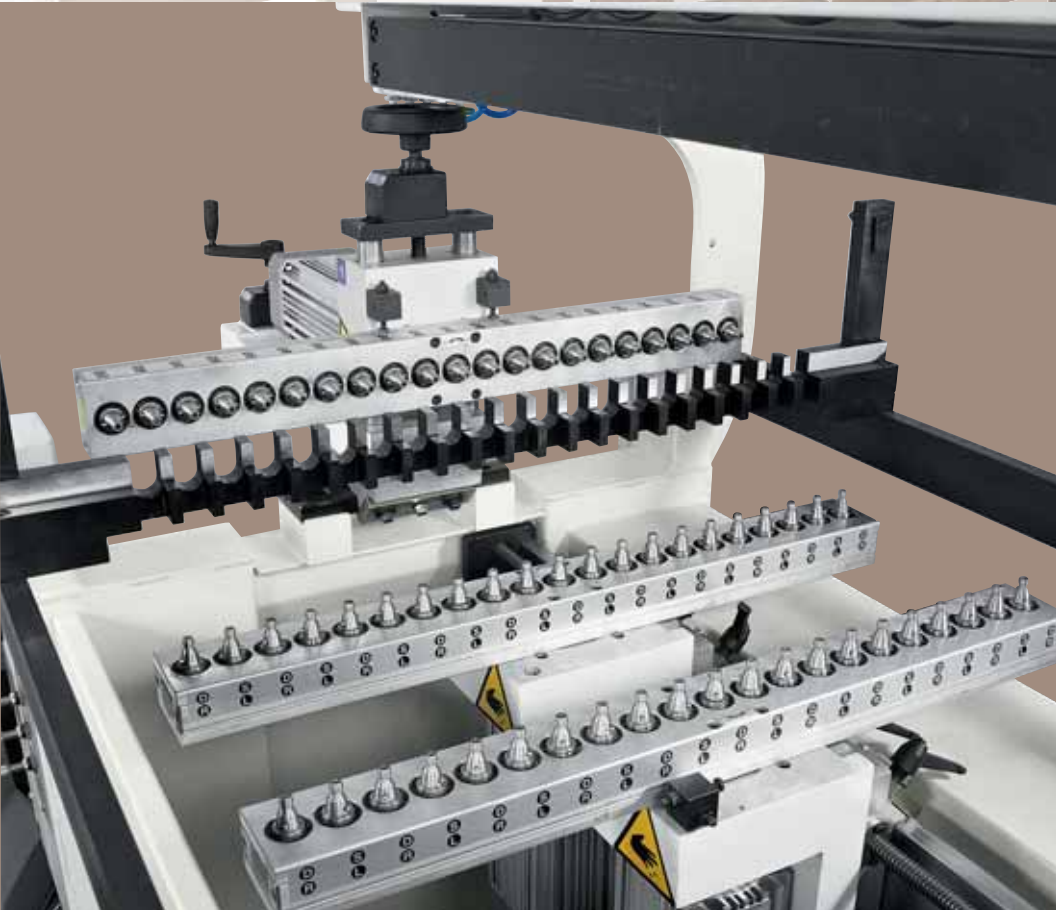
multitech plus

SEMI-AUTOMATIC MULTI-HEAD
BORING MACHINE FOR
HORIZONTAL AND VERTICAL
BORING

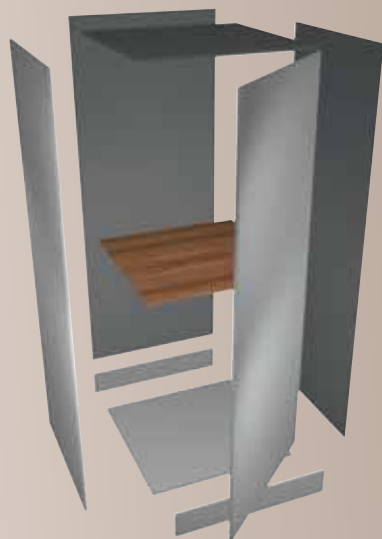
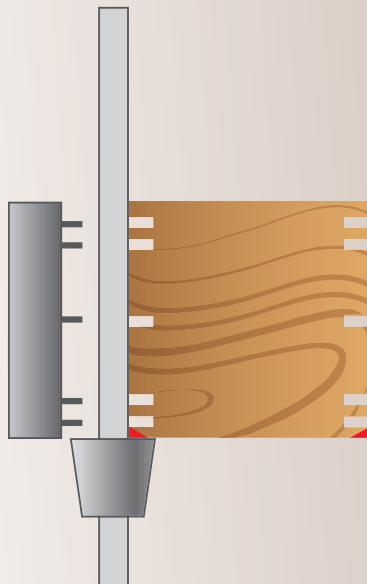
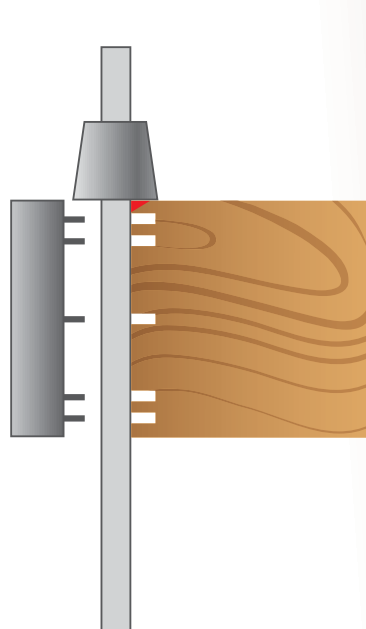
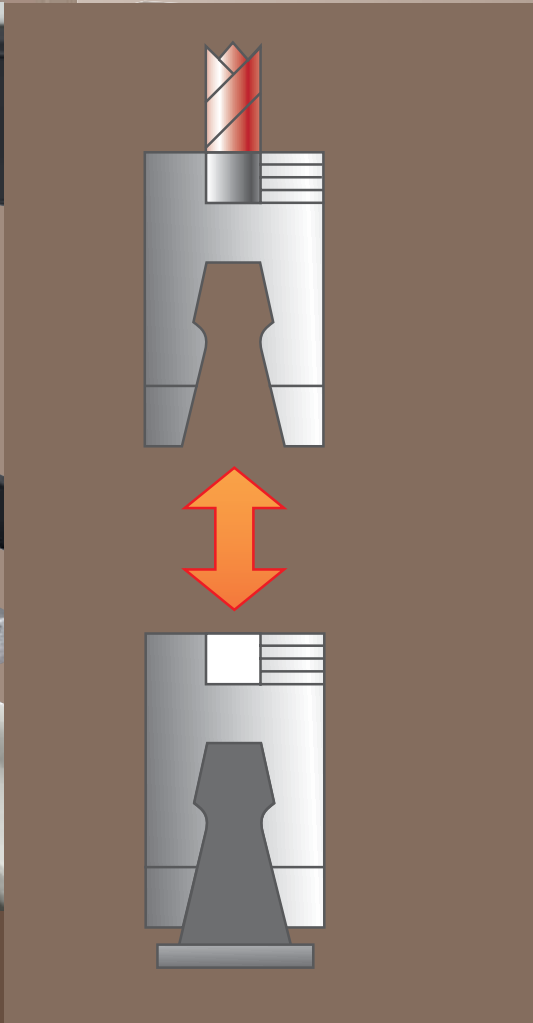


Productivity and flexibility to the highest
level with the horizontal head with 21
spindles (multitech 3 plus)





Easier set up thanks to the head with 21 spindles with quick-release fitting



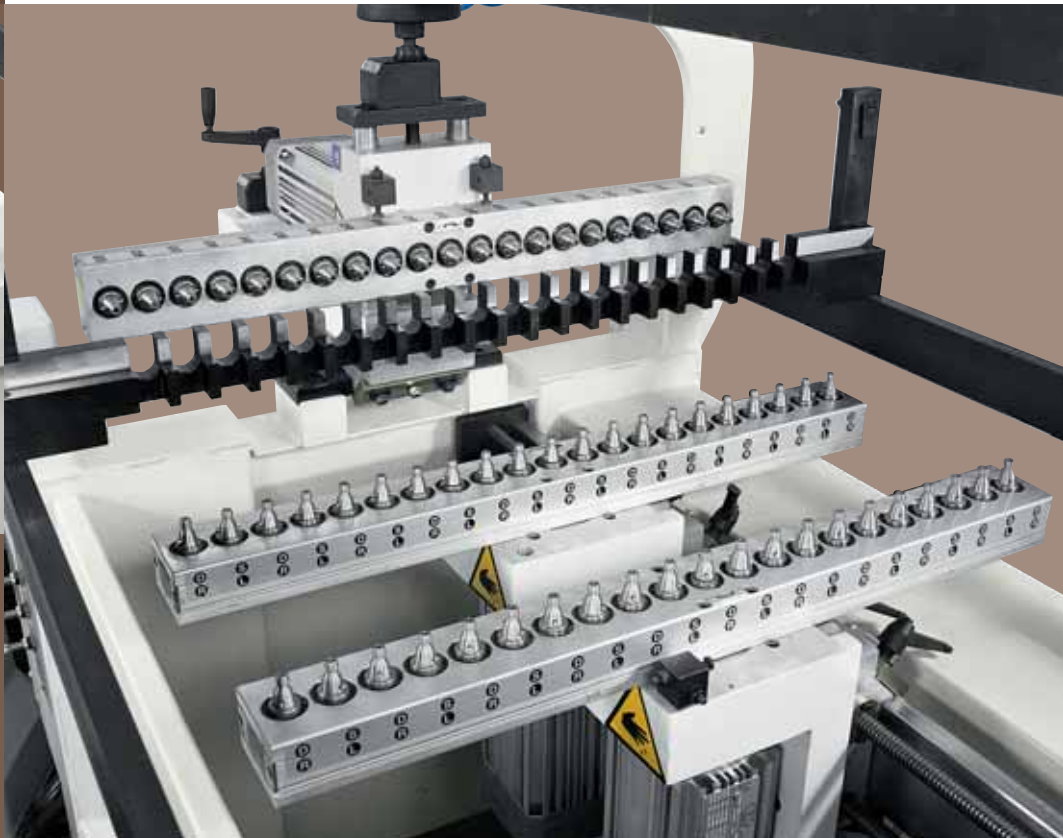


Productivity
and flexibility

multitech plus



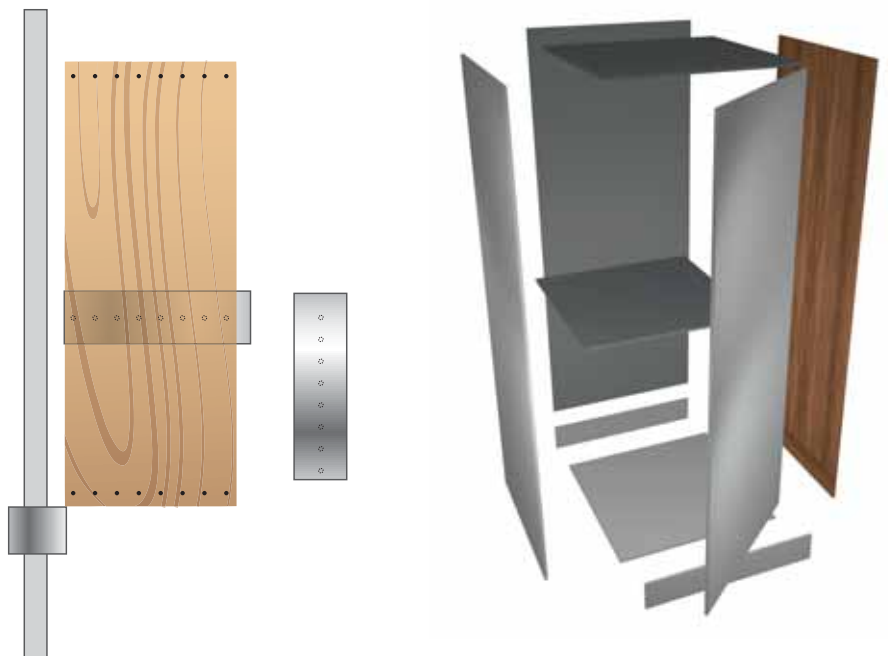
Quick and precise head positioning through screws and mechanical digital readouts



Very high flexibility thanks to the possibility of rotating the heads at 90°

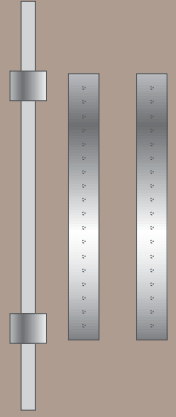


The "maximum" ...available as standard. Reference guides with 3metre total length with 4 pneumatic stops





MULTITECH 2 PLUS



VERTICAL BORING



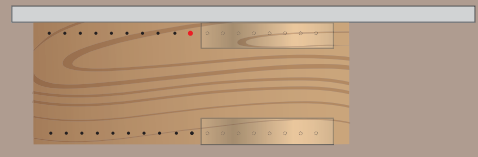
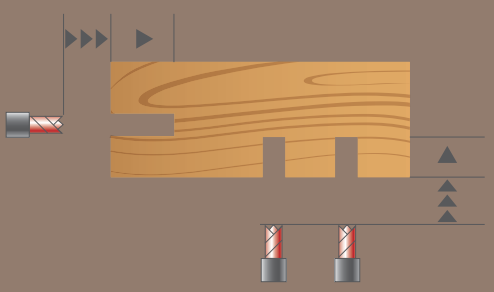
HORIZONTAL BORING



▶ Faster boring with the oleodynamic brakes on all heads (option)



Perfectly aligned rows of holes ▶ through the pin used for restarting the boring (option)





startech 27
top 35 plus
top 35 e plus
multitech

TECHNICAL DATA

startech 27

Spindles	no.	27
Distance between spindles	mm	32
Spindle speeds	rpm	3000
Spindles motor power	kW (Hp)	1,5(2)
Max. stroke of boring unit	mm	63
Max. panel width under the "gantry structure"	mm	1.025
Min. panel thickness	mm	10
Max. panel thickness	mm	60
Compressed air pressure	bar	6
Compressed air consumption	nl/cycle	3,6
Exhaust outlets diameter	mm	120 + 60 + 60
Exhaust air speed	m3/hr	1220 + 300 +300
Worktable height from floor	mm	900
Machine weight	Kg	370

top 35 plus / top 35 e plus

Spindles	no.	35
Distance between spindles	mm	32
Spindle speeds	rpm	2800
Max. stroke of boring unit	mm	127
Max. panel width under the "gantry structure"	mm	1.280
Motor power	kW (Hp)	4,4 (6)
Rotation gear motor power	kW (Hp)	0,25 (0,35)
Pneumatic system operating pressure	bar	6
Air consumption	nl/cycle	12
Hydraulic brake stroke	mm	50
Work table height	mm	840
Machine weight	Kg	690

multitech plus

Spindles	no.	21+21	21 +21 +21
Centre distance between spindles	mm	32	32
Spindle speeds	rpm	2800	2800
Max. boring unit stroke	mm	90	90
Max. panel width under the "gantry structure"	mm	1200	1200
Motor power	kW (Hp)	1,1 (1,5)	1,1 (1,5)
Pneumatic system operating pressure	bar	6 - 8	6 - 8
Air consumption	nl/cycle	450	450
Hydraulic brake stroke	mm	50	50
Work table height	mm	910	910
Machine weight	Kg	700	750

multitech 2

multitech 3

SINCERT



The technical data can vary according to the requested machine composition. In this catalogue, machines are shown with options. The company reserves the right to modify technical specifications without prior notice; the modifications do not influence the safety foreseen by the CE Norms

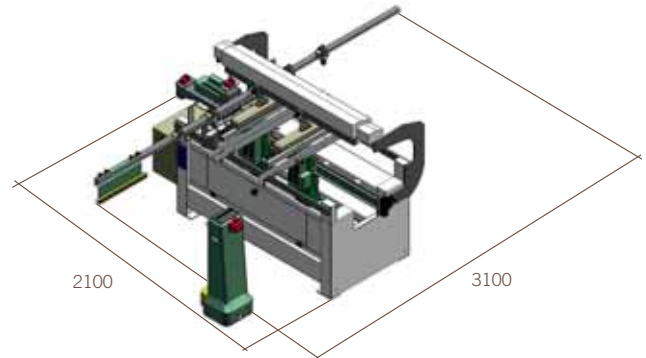
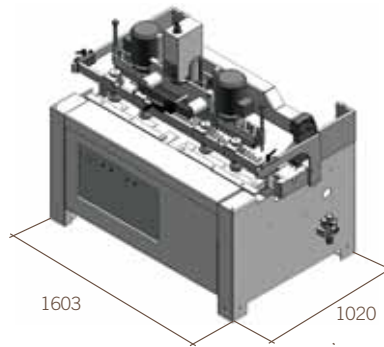
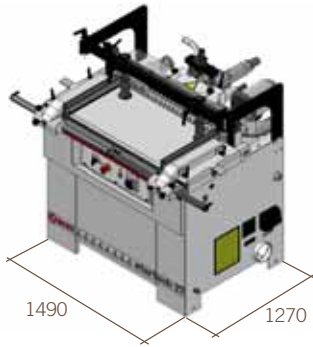


OVERALL DIMENSIONS

startech 27

top 35 plus / top 35 e plus

multitech plus



NOISE LEVEL

startech 27 boring machine

Functions: Boring a chipboard panel

		Reference standard	Uncertainty factor K	Boring LAV
Low noise level at operator station – dB (A) and peak level [dB (C)]	Operator station	EN ISO 11202:1995	5,0	85,5 [109,2]
	Input			
LW: Emitted noise level dB(A)		EN ISO 3746:1995	4,0	92,2

The maximum instantaneous noise level pressure is under 130 dB (C)

LAV: in operation

top 35 plus boring machine

Operating conditions: Boring

Reference standard: ISO3744-94 and ISO11201-91

	Equal level	Max. level
	LAeq dB (A)	Lpeak dB
Operator station: no operation	83,3	<130
Operator station: in operation	80,4	<130

multitech plus boring machine

Operating conditions: boring

Reference standard: ISO 3744-94 e ISO 11201-97

	Equal level	Max.level
	LAeq dB (A)	Lpeak dB
Operator station: no operation	86,0	<130
Operator station: in operation	83,7	<130



scmpremium



We love wood

FOR A BETTER ENVIRONMENT

Wood, a raw material from trees, an extraordinary building material, which can be adapted for interior and outdoor furniture elements. It enhances the settings of many lifetime experiences and can be processed into magnificent works of art and structures. SCM Group loves wood through its woodworking technologies.

Woodworking is about perfecting the qualities of wood: beautiful and fire-resistant, flexible and insulating.

Woodworking is all about 'we love wood'.

1 large Group	70% exported
2 million machines sold	350 registered patents
10 production facilities	350 agents and distributors
22 brands	500 engineers
23 foreign subsidiaries	3.000 sq m showroom
30 million euro investment in technology and know-how	3.450 employees
60 years history	10.000 standard machines yearly
	240.000 sq m production area

passion**technology**performance



SCM Group is an Italian company, **world leader in the production of woodworking machinery and systems.**

For almost 60 years it has been offering the widest range of machinery, from **standard machines for joinery companies up to integrated lines for industrial production of furniture and housing construction wood components.**

Through dedicated companies, the Group now also operates in the **plastic, stone, glass and advanced materials processing machinery industries.**

It has **10 production plants** and **3.450 employees.** SCM Group exports **70% to 120 countries**

through 23 foreign subsidiaries, 350 distributors and agents, guaranteeing efficient and prompt assistance with over 500 engineers providing training, service, maintenance and spare parts every day throughout the World.

Ongoing research and development is carried out by **70 engineers who design and create new products** to be manufactured, assembled and distributed for the entire Group.

To ensure **utmost quality of the entire manufacturing cycle**, a special production plant with **over 90 highly sophisticated cnc machining centres** has been created to control **all pre-assembly operations:** iron castings, metalwork carpentry,

painting, cnc machining, electro-spindles, electric, electro-mechanic and electronic components.

With an outlook for the future, **outstanding investments (30 million euros) are currently being made in technology and know-how** resulting in a superior efficiency and management of our companies. **SCM Group and its people are committed to provide ultimate performance.**



0000552224D

Rev. n. 00- 12/2010 - Acanto comunicazione - Olimpia - Digital Print