



# topset master

automatic **throughfeed** moulder

# topset master

automatic throughfeed moulder for large parts

The ideal solution for making large frames, semi-finished parts for the construction sector, structural work joists and profiles, wide parquet and squared lengths of timber in general.

The Topset Master automatic throughfeed moulder was developed to guarantee high quality finishing and to limit production costs, making it advantageous to work on both small batches and big orders.

- **NO COMPROMISES FOR HEAVY DUTY STOCK REMOVAL:**

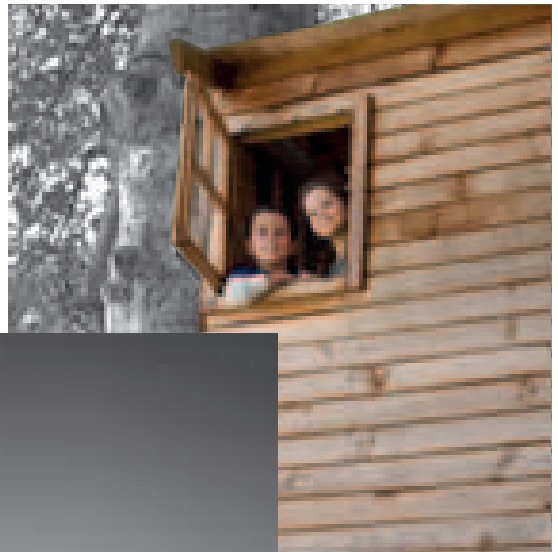
Topset Master allows machining even for more than one shift per day, always guaranteeing excellent surface quality.

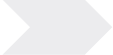
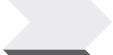

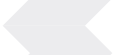
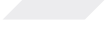
- **SIMPLE, FAST MACHINE SET-UP**

even for less expert operators.

- **HIGH PRODUCTION RATES WITH FEED SPEED OF UP TO 60 M/MIN.**

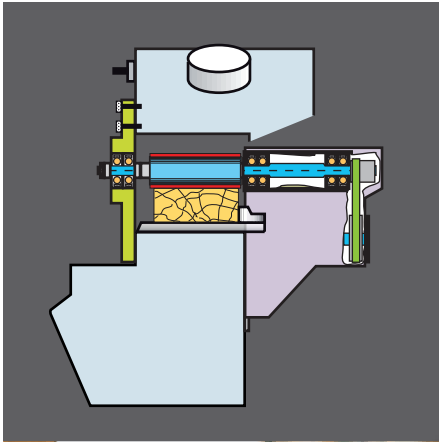




-  rip saw.
-  cutting.
-  **planing.**
-  **profiling.**
-  tenoning.
-  boring-routing.
-  packing.

# topset master

technological advantages



## **"HD" SPINDLES**

with three pairs of bearings (for a total of 6) preloaded with high precision to guarantee a top quality finish, for heavy duty stock removal, maintaining lasting precision and repeatability.



## **RAPID MACHINE SET-UP SYSTEM**

With an adjusting screw, locking operations are made fast and easy without the need for equipment such as grease nipples.



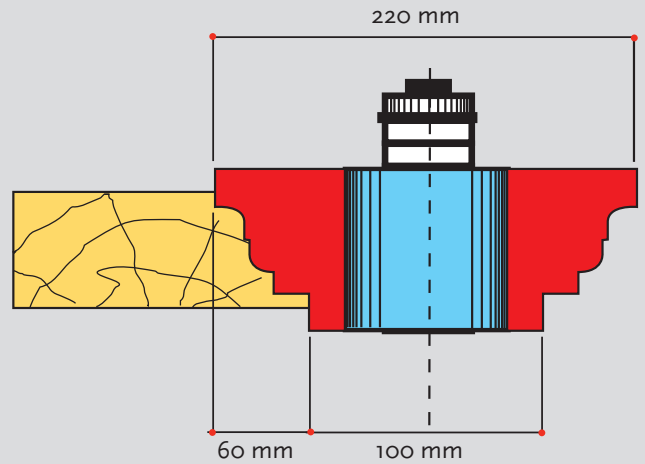
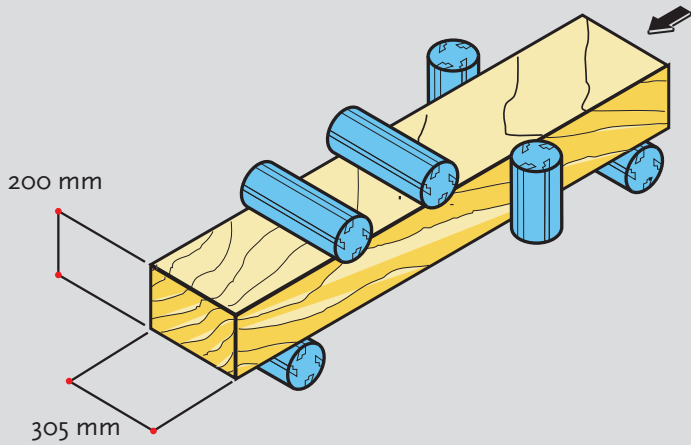
## **ON-BOARD SHARPENING DEVICE (JOINTER) FOR STRAIGHT KNIVES ON HORIZONTAL SPINDLES**

This device uses an electronically-operated automatic system for axial and radial movement of the stone to guarantee high quality finishes, even at high feed speeds, extreme precision and repeatability.



# topset master

machine structure



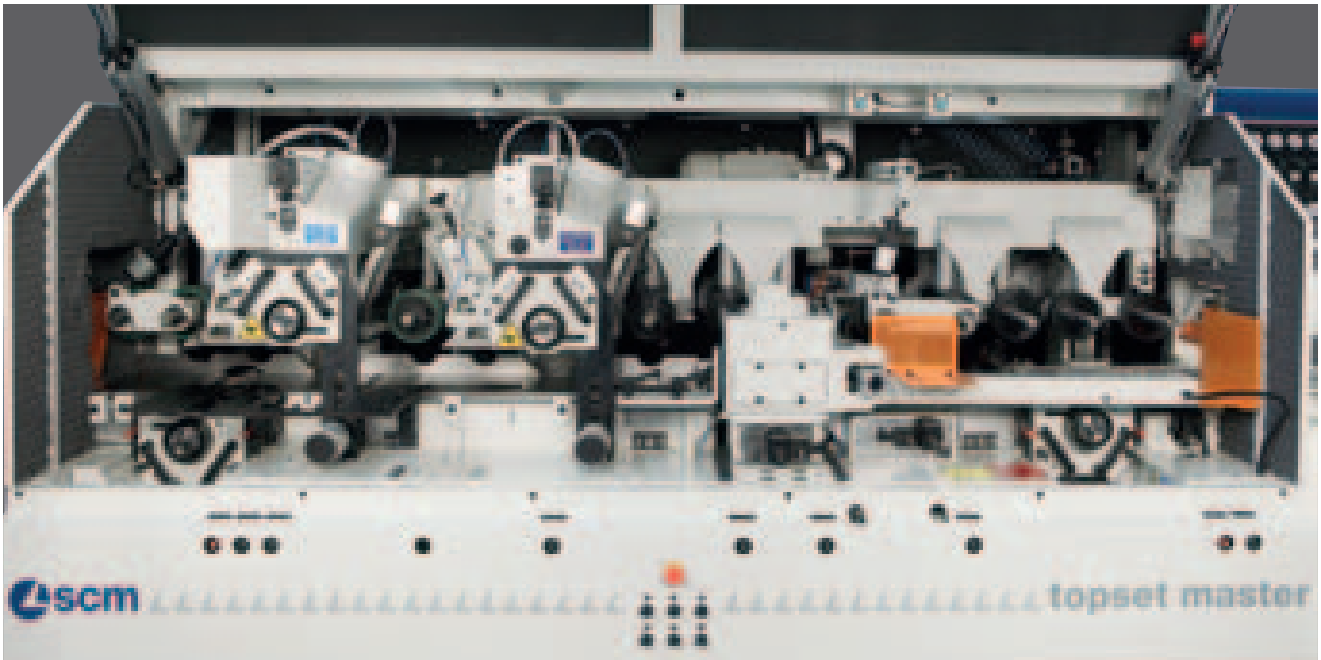
## MACHINING CAPACITY

Ideal for sectors such as construction, structural work, contracting, outdoor indoor furniture and squared lengths of timber in general, this machine can work on max. cross-sections of 305x200 mm and remove up to 60 mm of stock spindle.



## BASE

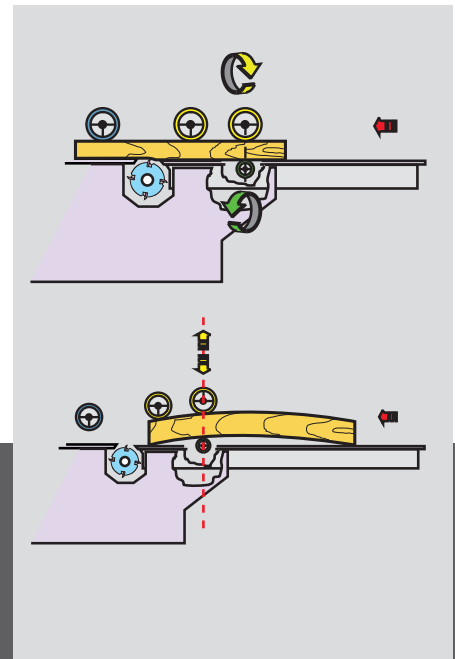
To get a good quality finish good tools and sturdy spindles aren't enough. A machine structure that doesn't generate vibrations is needed. The single-block structure of the Topset Master is suitably sized using CAD systems able to check its behaviour in response to machining stresses.



**FEED SYSTEM**

To guarantee good feed capacity irrespective of the material machined, level of stock removal or feed speed, a large number of feed wheels is provided, increasing the contact surface between rollers and workpiece.

To reduce friction between the workpiece and worktable and to further promote feed, there are motor-driven rollers on the worktable.

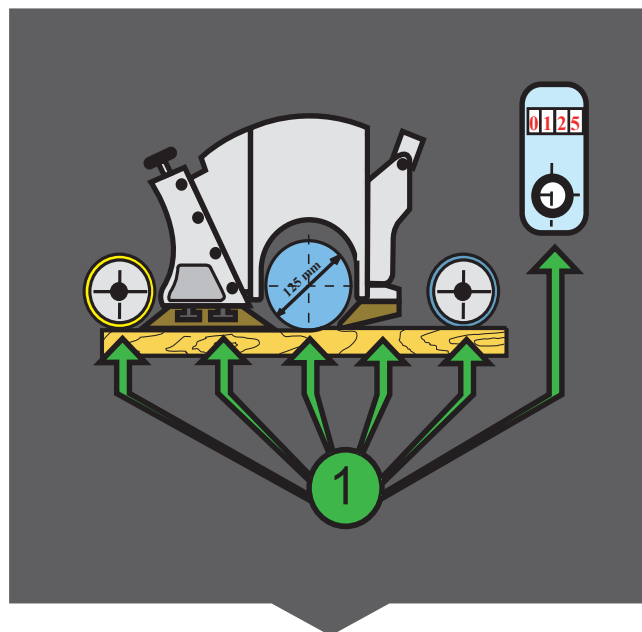


**PHT**

When machining resinous, wet or warped wood, there is a greater risk that the workpieces will come to a stop in the machine. This risk increases as the feed speed rises and in the presence of automatic feeders, with consequent wasted time and increased reject material. Topset Master has a pair of top/bottom powered floating rollers (PHT system) at infeed which guarantee efficient feed under any conditions.

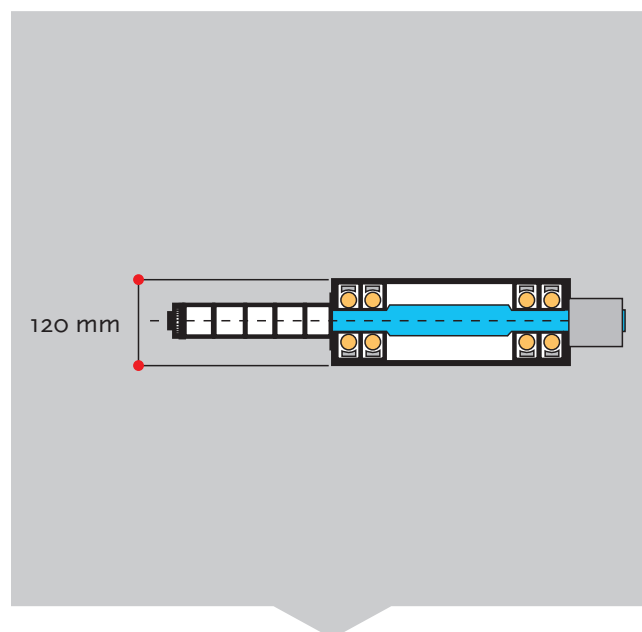
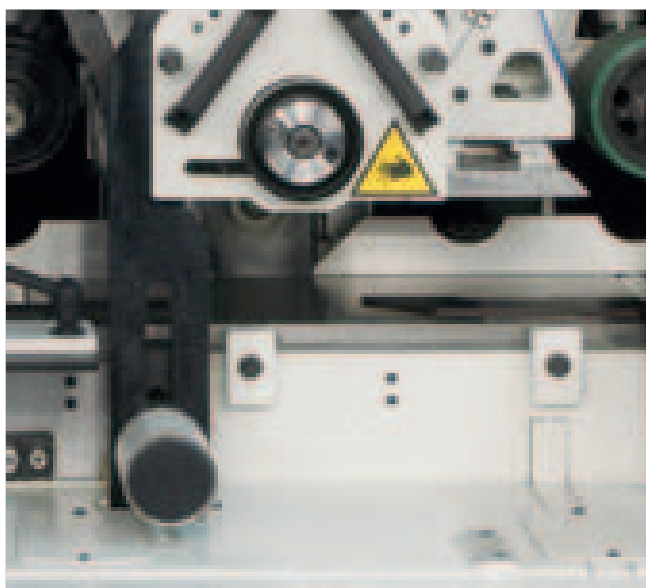
# topset master

## Tool holder spindles



### SET-UP

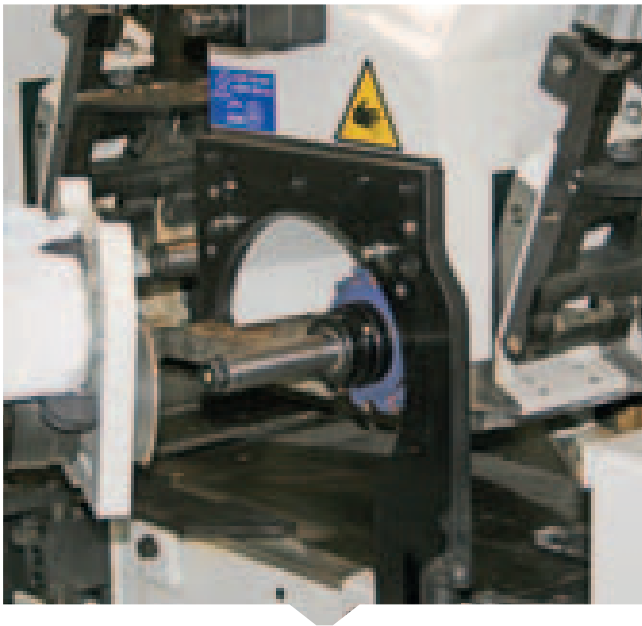
Each tool substitution requires many operations which take time and skill. To make it advantageous to produce small batches and have negligible tooling times without the need for experts, we patented a rapid "Setup" system. In the case of an upper horizontal spindle, for example, by simply setting the minimum tool diameter the presser shoes located before and after the tool and the workpiece feed chain are automatically aligned.



To avoid manual operations with the risk of operator error and wasted time, every time a change of thickness is needed, the hydraulic counter-support is automatically released/locked.

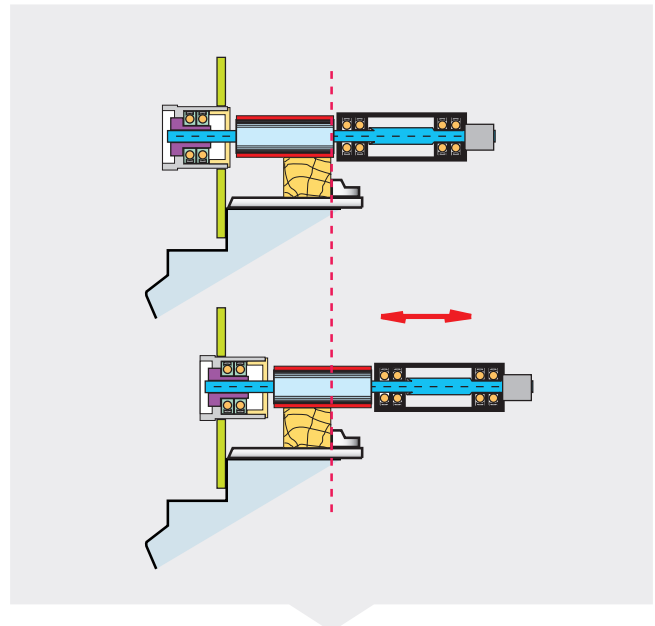
Working in challenging conditions, with hard woods, considerable stock removal, fast feed speeds, calls for sturdy, reliable spindles. The 120 mm spindle holder cylinders can house two pairs of bearings preloaded with a high level of precision.



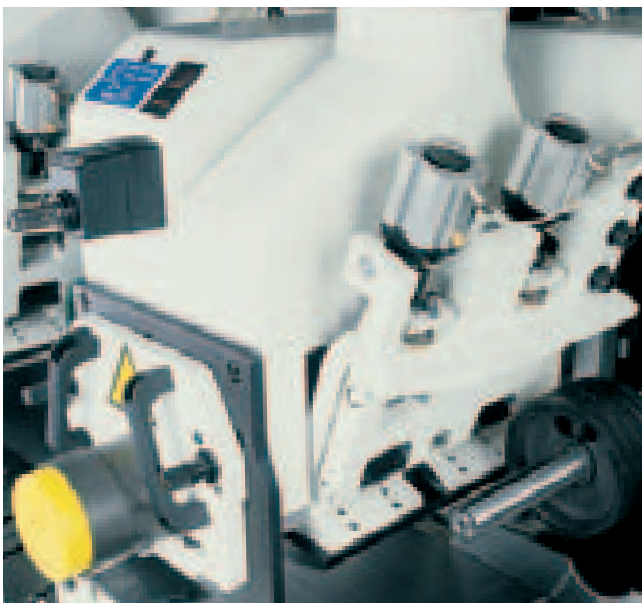


### SPINDLE COUNTER-SUPPORTS

When a tool change is needed on the horizontal spindles, to speed up operations and make them easy in complete safety, on the counter-support there is a precision centring system, a rapid locking system and a safety system which, if the counter-support is not fitted or locked, prevents spindle start up.

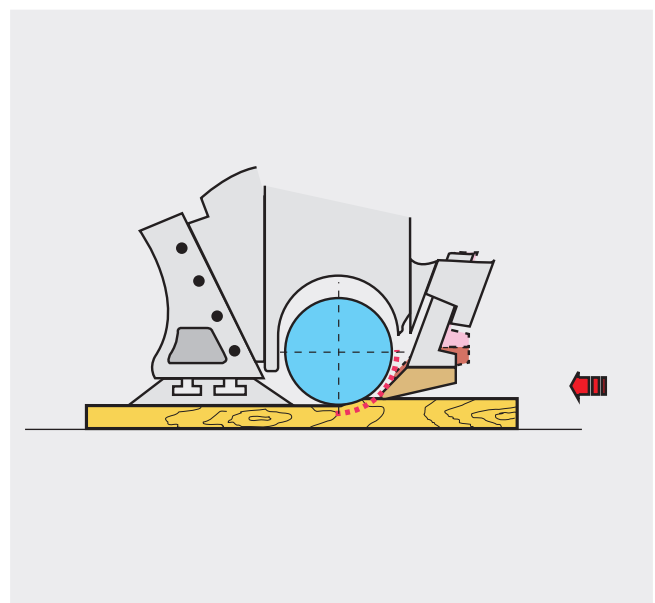


To save even more time, axial positioning of the horizontal spindles takes place with the spindle moving and machine operating.



### PRESSER SHOES

To further reduce the risk of the workpiece jamming in the machine irrespective of the machining allowance to be removed, the presser shoes located in front of the upper spindles and left vertical spindle have four-bar linkage movement and pneumatic pressure.



# topset master

## options

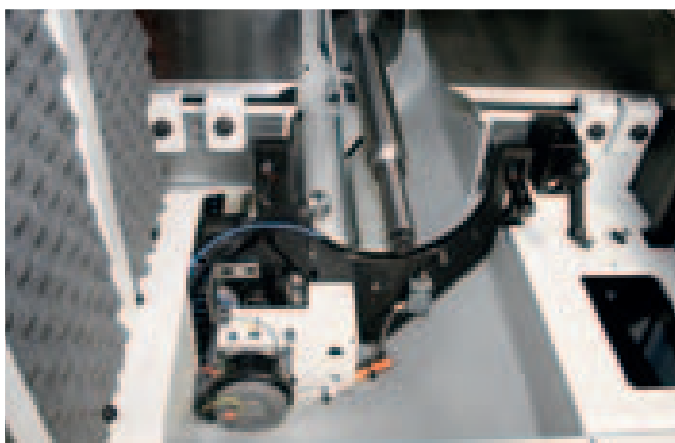


### JOINTER

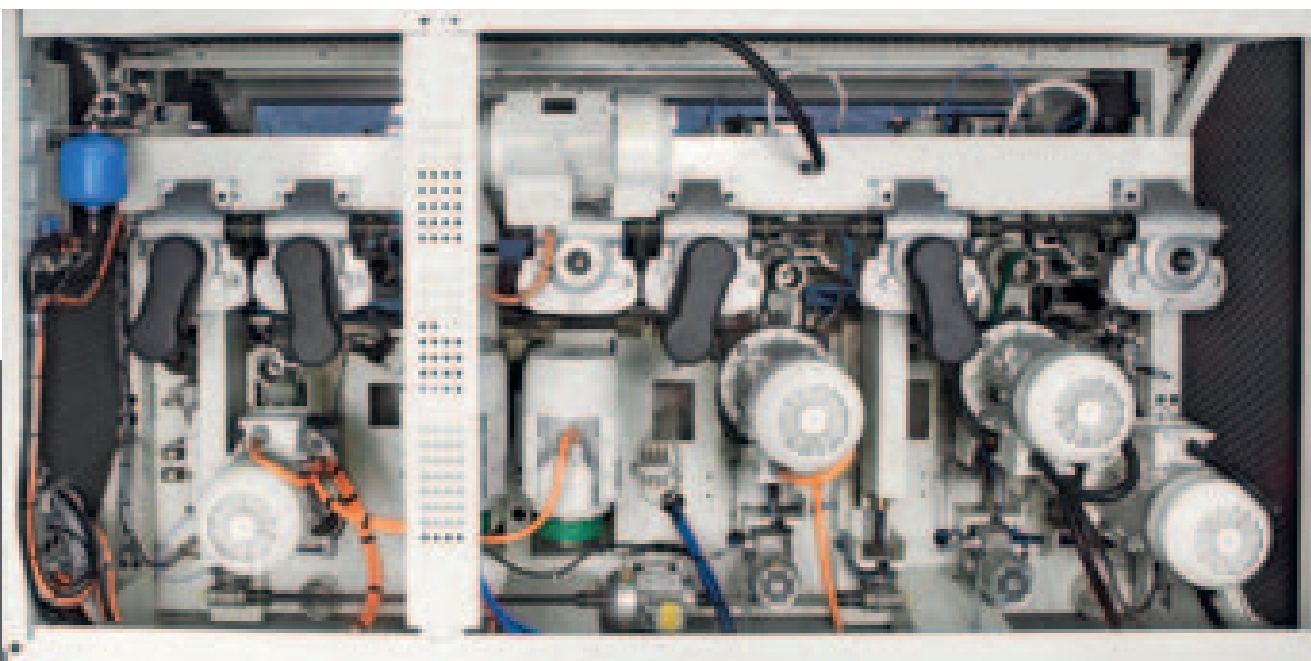
To obtain a good finish with feed speeds higher than 15÷20 m/min, on-board tool sharpening (jointer) is required.

This significantly increases production rates.

On Topset Master on-board sharpening is possible on horizontal spindles, for straight knives tools.



On-board sharpening operations usually take a long time and must be performed by experts. To make these operations simple, fast and precise, on Topset Master the stone automatically moves both axially and radially thanks to an electronic system with speed that can be preset depending on the type of stone/tool and stock removal.



### FEED

To increase production rates, Topset Master is capable of feed speeds up to 60 m/min.

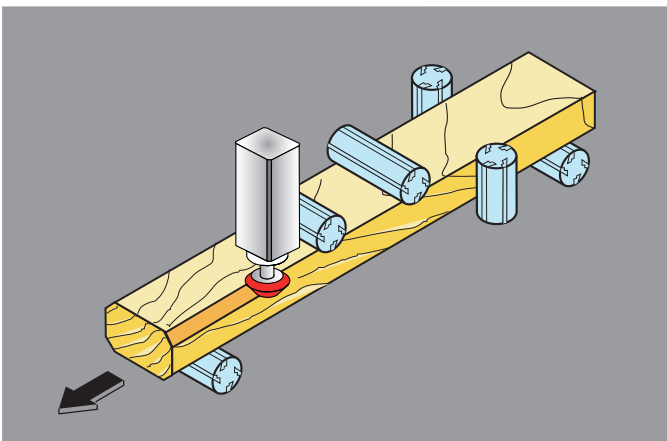
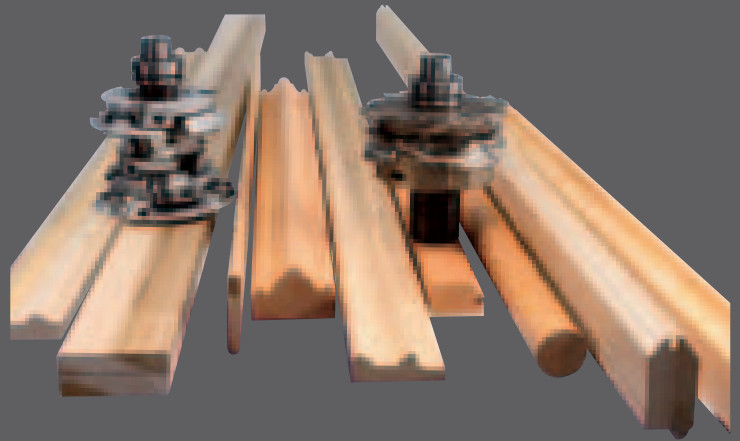
# topset master

options



## SPINDLES WITH HSK TOOL HOLDER

To make it advantageous to also machine small batches, with very low set-up times and risk of errors, the vertical tool holder spindles can be equipped with an HSK tool holder.



## CORNER CHAMFERING UNIT

For workpieces with variable cross-section which need chamfering, to avoid having to make a series of adjustments each time or managing a large set of tools, an additional unit can be supplied for automatically performing top left chamfering irrespective of the cross-section.



## AUTOMATIC FEEDERS

To facilitate loading operations and continuously feed the machine without production down times, loading and unloading systems can be provided according to the workpiece dimensions and production rates.

# topset master

“Control 100 PC” electronic control

When many program changes are needed during a shift, it is a good idea to equip the machine with a NC to slash set-up times and avoid the need for expert manpower.

The “Control 100 PC” man-machine interface allows:

- generation of programs or changes to existing programs (no knowledge of programming language required)
- guiding of all operations to be performed
- management of tool parameters
- indication of faults or malfunctions
- “teleservice” with SCM Group



For total process management, the “GT Soft” software can be used to process the data from the projector for measuring tool data, generate new programs, update tool tables and send the information directly to the machine NC.

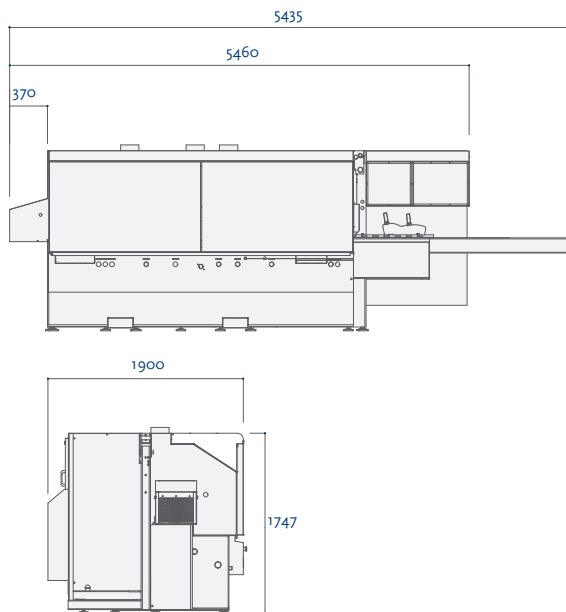


In the case of sharpened tools, take nominal measurements, in particular the new minimum diameter and axial position.

To avoid wasting time or dependence on services outside the company, use the “Preset Wasp” profile projector to take tool measurements and send them directly to the “GT Soft”.



TOPSET MASTER		
Min./max. machining width (finished cross-section)	mm	25÷305
Minimum machining height (finished cross-section)	mm	10÷200
Minimum length of single workpiece	mm	640
Feed speed	m/min	6÷36
Motor power	HP (kW)	10 (7,5)
Spindle speed of rotation	g/min - rpm	6000
Tool holder spindle diameter	mm	40
Axial adjustment of vertical spindles relative to the worktable	mm	80
Axial adjustment of horizontal spindles relative to the right-hand fence	mm	45
Min./max. diameter of surface planer tool	mm	120/140
Min./max. diameter of profiling tool	mm	100÷220
Diameter of spindle holder cylinders	mm	120




**MAIN OPTIONS**

- Motor power up to 25 HP (18.5 kW)
- Speed up to 60 m/min.
- “Jointer” on-board sharpening device
- Spindles with HSK tool holder
- Chrome-finish tables and fences
- Grooved worktable
- Automatically adjusted left-hand vertical spindle
- Spindle speed of rotation 8300 rpm
- Set-up for cutting with multiple blades
- Electronic control

Operating conditions		NOISE - DUST						
Noise emission in accordance with ISO 7960-95/H		Dust emission in accordance with DIN-33893-2						
model	Operator position LAeq [dB (A)]				[mg/m3]			
	Workpiece infeed		Workpiece outfeed		1st position	2nd position	3rd position	4th position
	Vacuum	Machining	Vacuum	Machining				
topset master	74,3	81,2	71,3	77,5	0,34	0,32	0,20	0,37

For demo purposes some photographs show machines complete with accessories. Technical data may be amended without notice, without the changes affecting safety as per CE requirements.

 **scm**  
 **minimax**  
 **scm tecmatic**

 **scm**  
 **routech**  
 **celaschi**  
 **dmc**  
 **superfici**  
 **sergiani**  
 **gabbiani**  
 **morbidelli**  
 **mahros**  
 **stefani**  
 **cpc**  
 **sag**  
 **scmgroup**  
engineering  
 **delmac**  
engineering  
 **scmfonderie**  
 **steelmec**  
 **hiteco**  
 **es**  
 **csr**  
 **CMS Cms**  
wood technology  
 **CMS Cms**  
advanced materials technology  
 **CMS Brembana**  
stone technology  
 **CMS Brembana**  
glass technology  
 **CMS CmsPlast**  
plastic technology  
 **CMS Tecnocut**  
waterjet technology  
 **CMS Balestrini**

| **1**  
large industrial  
group  
/

| **18**  
production  
sites  
/

| **30**  
specialist  
brands  
/

| **21**  
foreign branches  
/

| more than **50**  
years  
in business  
/

| **70%**  
exports  
/

| **350**  
agents  
and dealers  
/

| **365**  
registered patents  
/

| **500**  
support  
technicians  
/

| **3.000**  
square metre  
showroom  
/

| **10.000**  
classic and  
professional  
machines made  
per year  
/

| **240.000**  
square metres  
of production  
space  
/



[www.scmgroup.com](http://www.scmgroup.com)

passion**technology**performance

**scm**  **group**



**SCM GROUP SPA SCM** - via Casale 450 I - 47826 Villa Verucchio, Rimini - Italy  
tel. +39 0541 674111 - fax +39 0541 674235 -housing@scmgroup.com - www.scmgroup.com



00L0076329A