

cefla finishing  
delle vedove  
düspohl  
falcioni  
sorbini

SMARTCLEAN guarantees a high productivity along with an easy management of all working units. Machine particularly suitable to clean the wooden panels before the coating process.

Each function is handled by the control board with touch-screen display. Modern design for the machine structure, with suction hoods to avoid waste of dust outside.



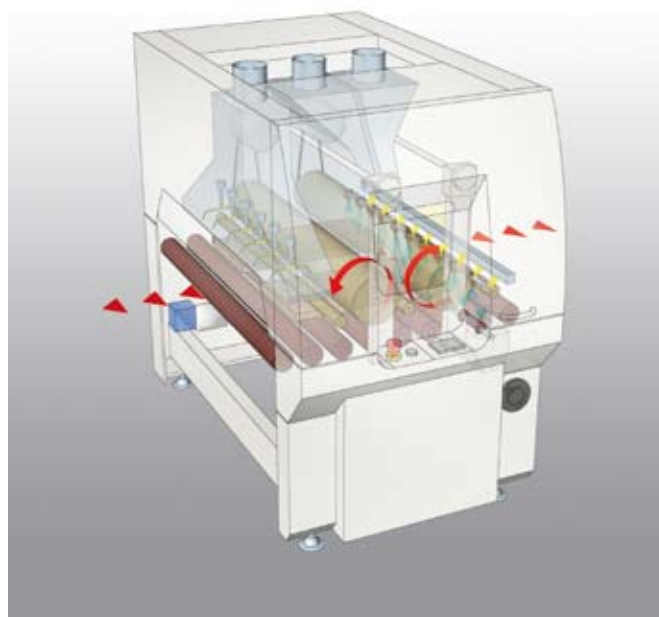
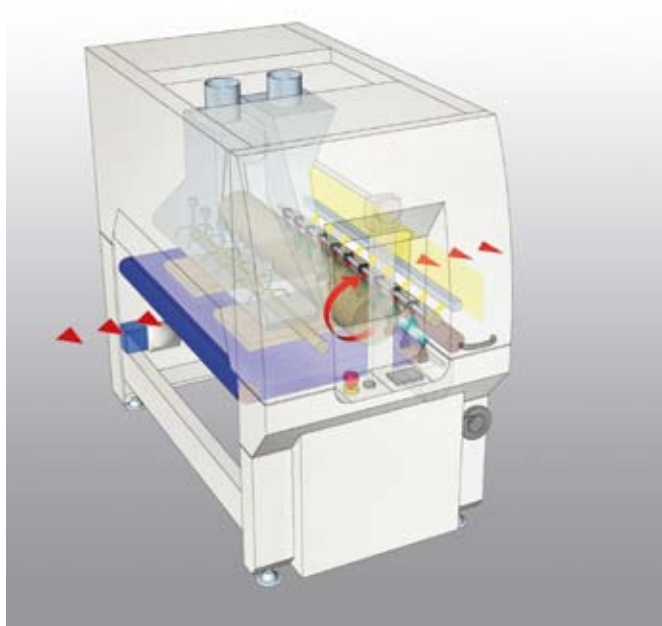
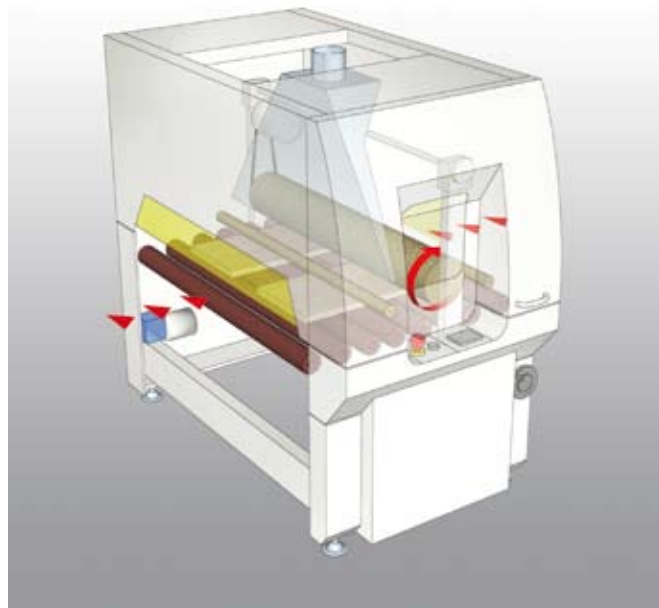
#### **PLUS AND BENEFITS**

- One single frame including different units in order to get various configurations and meet any possible cleaning requirements.
- Drive by inverter on conveying and on all brushes, with independent adjustment, if required.
- Top brushes equipped with independent lifting to change position independently of the pressure rollers frame.
- Management of all working functions by control board with touch-screen display.
- On request, electric lifting of the working support.

cefla finishing  
delle vedove  
düspohl  
falcioni  
sorbini

**TECHNICAL DATA**

- Working speed 2,2/10,6 (4/20)m/min.
- Working thickness 3/70mm.
- Minimum dimensions of the workable panels 280x70mm.  
(on request, on some models, 200x70mm).
- Brushes speed rotation 200/1000 rpm.
- Conveying motor power 0,75Kw.
- Brushes motor power 0,75Kw.
- Brushes diameter 190mm.



Pursuing the constant improvement of its production range, the manufacturer reserves the right of modifying its products without notice. Additionally, the information, the technical specifications, the drawings and the pictures shown in this brochure serve just as an indication and are not binding for the manufacturer who expressly reserves the right of changing this brochure without notice.