

Wadkin

RANGE OF WIDE BELT SANDING MACHINES

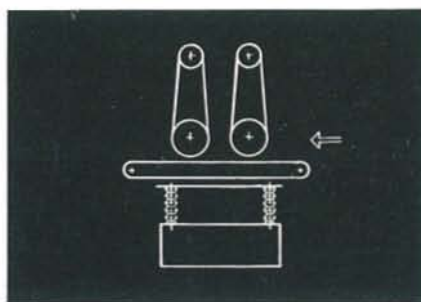


DOUBLE BELT MODEL W1C

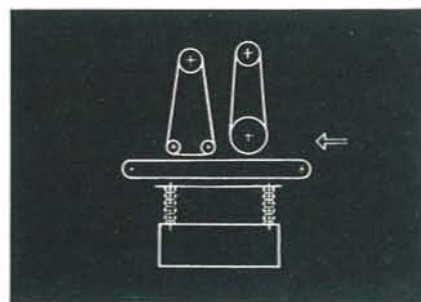
The double belt machines are offered in four working widths 600, 900, 1100, and 1300mm. Two types are available.

Type RR with double contact roll.
This machine is particularly suitable for thickening and planing on joinery sections and panel materials.

Type RT with contact roll and pad.
This machine has the facility for both thickening and fine finishing.



Type RR



Type RT

Technical Data

Maximum working height	160mm	6 $\frac{1}{2}$ in
Minimum working height	3mm	$\frac{1}{8}$ in
Length of sanding belt	1900mm	74 $\frac{3}{4}$ in
Standard feed speeds	7–14m/min	23–46ft/min
Belt speed	25m/sec	78ft/sec

For further details see back page.

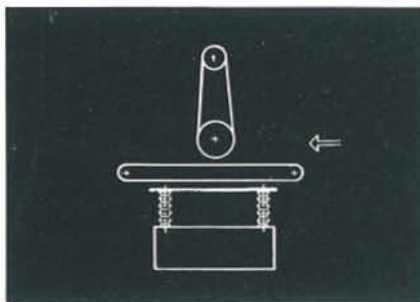


SINGLE BELT MODEL W/LC

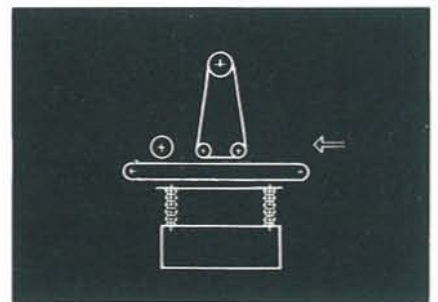
The single belt machines are offered in three working widths 900, 1100, and 1300mm. Two types are available.

Type R with contact roll for use on joinery sections and also for sizing of panel materials.

Type T with contact pad specifically for finishing work.



Type R



Type T

Technical Data

Maximum working height	160mm	6½ in
Minimum working height	3mm	¼ in
Length of sanding belt	1900mm	74¾ in
Standard feed speeds	7-14m/min	23-46ft/min
Belt speed	25m/sec	78ft/sec

For further details see back page.

Wadkin

QUALITY and RELIABILITY



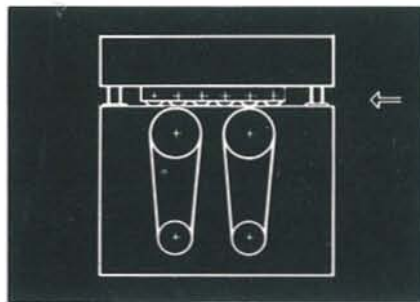
BOTTOM DOUBLE BELT MODEL W/LI

The bottom belt machines are offered in three working widths 900, 1100, and 1300mm.

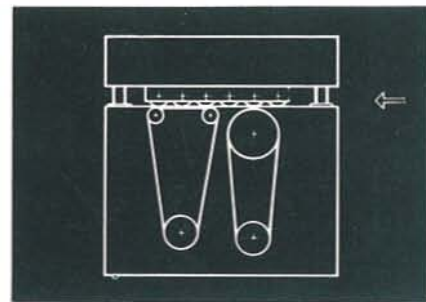
These machines are generally used in automated lines where a constant feed height is required or in conjunction with an existing top sander.

Type RR with double contact rolls.
Faster thickening rate from two rollers.

Type RT with contact roll and pad.
Light thickening followed by finishing.



Type RR



Type RT

Technical Data

Maximum working height	160mm	6½in
Minimum working height	3mm	¼in
Length of sanding belt	1900mm	74½in
Standard feed speeds	7-14m/min	23-46ft/min
Belt speed	25m/sec	78ft/sec

For further details see back page.



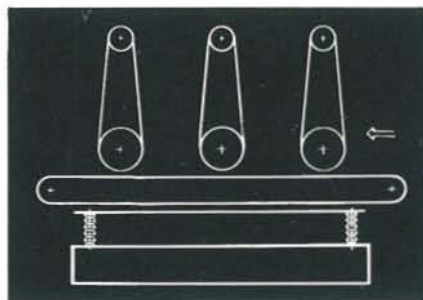
TRIPLE BELT MODEL W/LC

The triple belt machines are only offered in 1100mm working width. Two types are available.

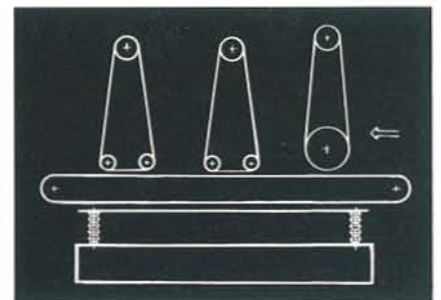
Type RRR with triple contact roll. This machine is particularly suitable for thickening and planing on joinery sections and panel materials.

Type RTT with contact roll and double pad.

This machine has the facility for both thickening and fine finishing.



Type RRR



Type RTT

Technical Data

Maximum working height	160mm	6½ in
Minimum working height	3mm	⅜ in
Length of sanding belt	1900mm	74¾ in
Standard feed speeds	7–14m/min	23–46ft/min
Belt speed	25m/sec	78ft/sec

For further details see back page.

STANDARD FEATURES

All Wadkin sanding machines are equipped with the following standard features included in the basic machine price:

Emergency hydraulic braking with automatic and manual control on all sanding belts for extra safety and to avoid damage to the machine.

Automatic **star-delta starting**.

Automatic 'air-jet' tracking for sanding belt gives longer belt life.

Powered rise and fall to table for speedy adjustment to various working thicknesses.

Digital readout for table height with **fine adjustment handwheel** ensures exact calibration of panels and solid material.

Pressure switch to prevent operation of machine if air pressure is too low and to **stop machine automatically** if pressure drops during operation.

Fixed table for accurate thicknessing with **instant changeover to floating table** for finish sanding of veneers and similar materials.

Independent adjustment of all sanding heads and pressure units to suit individual customer sanding requirements.

Ammeters indicate any instability should sanding head motors become overloaded.

Two-speed feed of 7 and 14m/min to allow selection for alternative sanding applications.

Fully enclosed **dust-proof electrical cabinet**.

OPTIONAL EXTRAS

Variable feed speed unit 6–30m/min

Extra horse-power sanding motors

Panel cleaning brush

Belt cleaning blowers

Electrical table positioner

Vacuum table for thin components

Electro-pneumatic anti-dubbing unit

Automatic electronic sensor (special purpose only)

Two-speed sanding motors

As our policy is constantly to improve the design of woodworking machinery throughout the Wadkin Group ranges, the details given in this leaflet are not to be regarded as binding.

Wadkin

TECHNICAL DATA

TYPE	SINGLE BELT MACHINES								DOUBLE ROLL MACHINES						ROLL AND PAD MACHINES						TRIPLE BELT MACHINE			
MODEL	LC-R900	LC-R1100	LC-R1300	LC-T900	LC-T1100	LC-T1300	LI-R1100	LI-T1100	LC-RR900	LC-RR1100	LC-RR1300	LI-RR900	LI-RR1100	LI-RR1300	LC-RT600	LC-RT900	LC-RT1100	LC-RT1300	LI-RT900	LI-RT1100	LI-RT1300	LC-RRR1100	LC-RTT1100	
STANDARD FEATURES																								
Maximum working width	mm	930	1100	1300	930	1100	1300	1100	1100	930	1100	1300	930	1100	1300	650	930	1100	1300	930	1100	1300	1100	1100
Maximum working height	mm	160	160	160	160	160	160	160	160	160	160	160	160	160	160	160	160	160	160	160	160	160	160	160
Minimum working height	mm	3	3	3	3	3	3	3	3	3	3	3	3	3	3	3	3	3	3	3	3	3	3	3
Width of sanding belt	mm	930	1100	1300	930	1100	1300	1100	1100	930	1100	1300	930	1100	1300	650	930	1100	1300	930	1100	1300	1100	1100
Length of sanding belt	mm	1900	1900	1900	1900	1900	1900	1900	1900	1900	1900	1900	1900	1900	1900	1900	1900	1900	1900	1900	1900	1900	1900	1900
Contact roll motor	hp	20	20	25	—	—	—	20	—	20	20	20	20	20	20	20	20	20	20	20	20	20	20	20
Contact pad motor	hp	—	—	—	15	15	20	—	15	20	20	15	20	20	15	15	15	15	15	15	15	15	15	15
Feed motor	hp	1.1	1.5	1.5	1.1	1.5	1.5	1.5	1.5	1.1	1.5	2.3	1.1	1.5	2.3	1.1	1.1	1.5	2.3	1.1	1.5	2.3	2.3	2.3
Table rise-and-fall motor	hp	0.75	0.75	0.75	0.75	0.75	0.75	1	1	0.75	0.75	0.75	1	1	1	0.75	0.75	0.75	0.75	1	1	1	1	1
Feed speeds	m/min	7-14	7-14	7-14	7-14	7-14	7-14	7-14	7-14	7-14	7-14	7-14	7-14	7-14	7-14	7-14	7-14	7-14	7-14	7-14	7-14	7-14	7-14	7-14
Dust exhaust requirement	m ³ /min	47.5	47.5	47.5	47.5	47.5	47.5	30	30	95	95	95	60	60	60	95	95	95	95	60	60	60	142	142
Compressed air requirement	lb/in ²	85	85	85	85	85	85	85	85	85	85	85	85	85	85	85	85	85	85	85	85	85	85	85
Approximate net weight	lb	3220	3410	3586	3220	3410	3586	4000	4000	5050	5480	6210	6500	6160	7410	4000	5050	5480	6210	5500	5985	6500	7920	7920
OPTIONAL EXTRAS																								
Variable feed speeds	6-30 m/min	✓	✓	✓	✓	✓	✓	✓	✓	✓	✓	✓	✓	✓	✓	✓	✓	✓	✓	✓	✓	✓	✓	✓
Extra horse-power main motors		✓	✓	✓	✓	✓	✓	✓	✓	✓	✓	✓	✓	✓	✓	✓	✓	✓	✓	✓	✓	✓	✓	✓
Panel cleaning brush motor	1 hp	✓	✓	✓	✓	✓	✓	✓	✓	✓	✓	✓	✓	✓	✓	✓	✓	✓	✓	✓	✓	✓	✓	✓
Belt cleaning blowers		✓	✓	✓	✓	✓	✓	✓	✓	✓	✓	✓	✓	✓	✓	✓	✓	✓	✓	✓	✓	✓	✓	✓
Electronic table positioner		✓	✓	✓	✓	✓	✓	✓	✓	✓	✓	✓	✓	✓	✓	✓	✓	✓	✓	✓	✓	✓	✓	✓
Vacuum table		✓	✓	✓	✓	✓	✓	✓	✓	✓	✓	✓	✓	✓	✓	✓	✓	✓	✓	✓	✓	✓	✓	✓
Anti-dubbing unit		×	×	✓	✓	✓	✓	×	×	×	×	×	×	×	✓	✓	✓	✓	✓	✓	✓	✓	✓	✓
Automatic anti-dubbing sensor		×	×	×	✓	✓	✓	×	×	×	×	×	×	×	✓	✓	✓	✓	✓	✓	✓	✓	✓	✓
Two-speed motors		×	×	×	✓	✓	✓	×	×	×	×	×	×	×	×	✓	✓	✓	✓	✓	✓	×	✓	✓

Wadkin

WADKIN LTD · GREEN LANE WORKS · LEICESTER LE5 4PF · ENGLAND
 Telephone: 0533 769111 · Telex: 341161
 and York House, Empire Way, Wembley, Middx. Telephone: 01-902 7714 · Telex: 262210