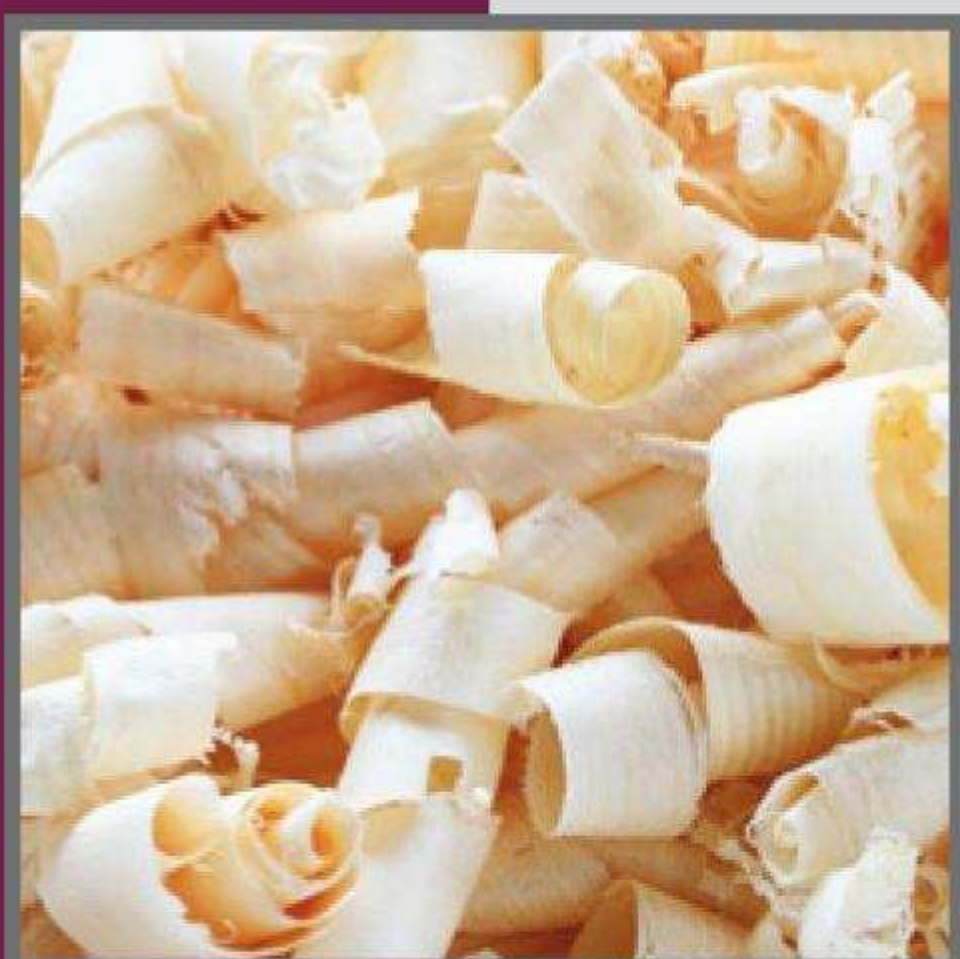
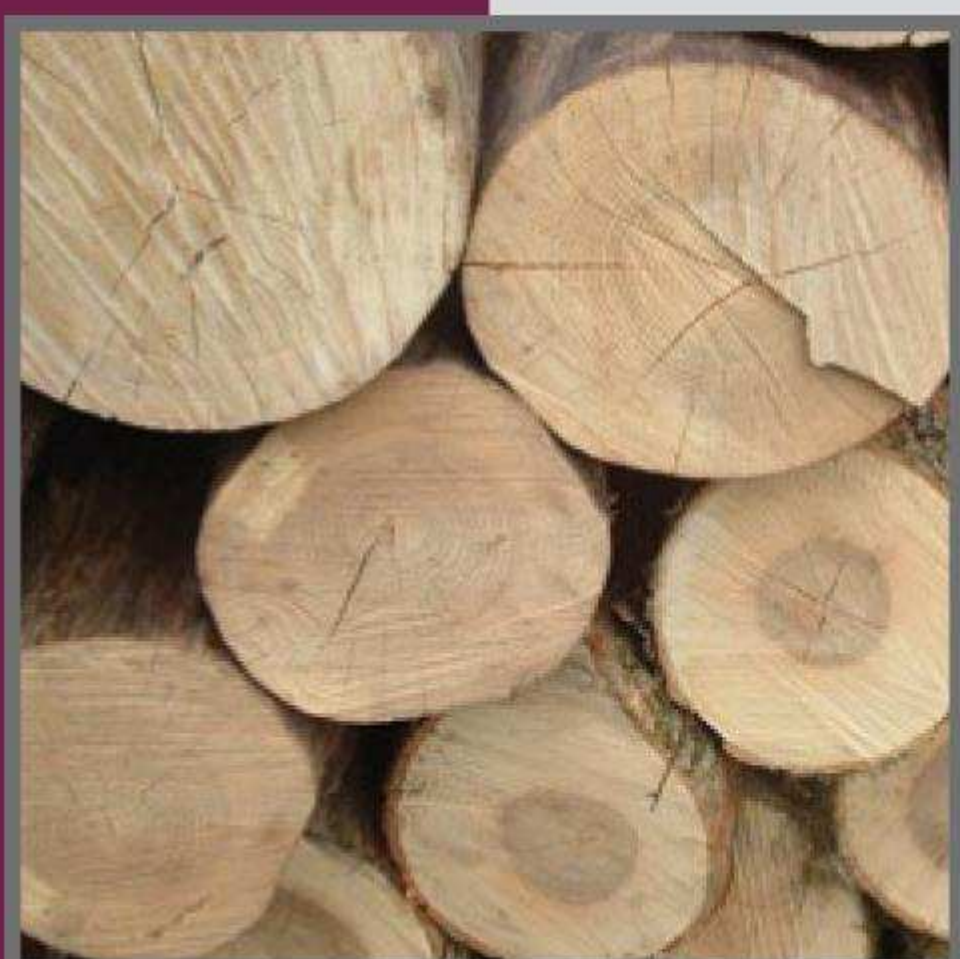
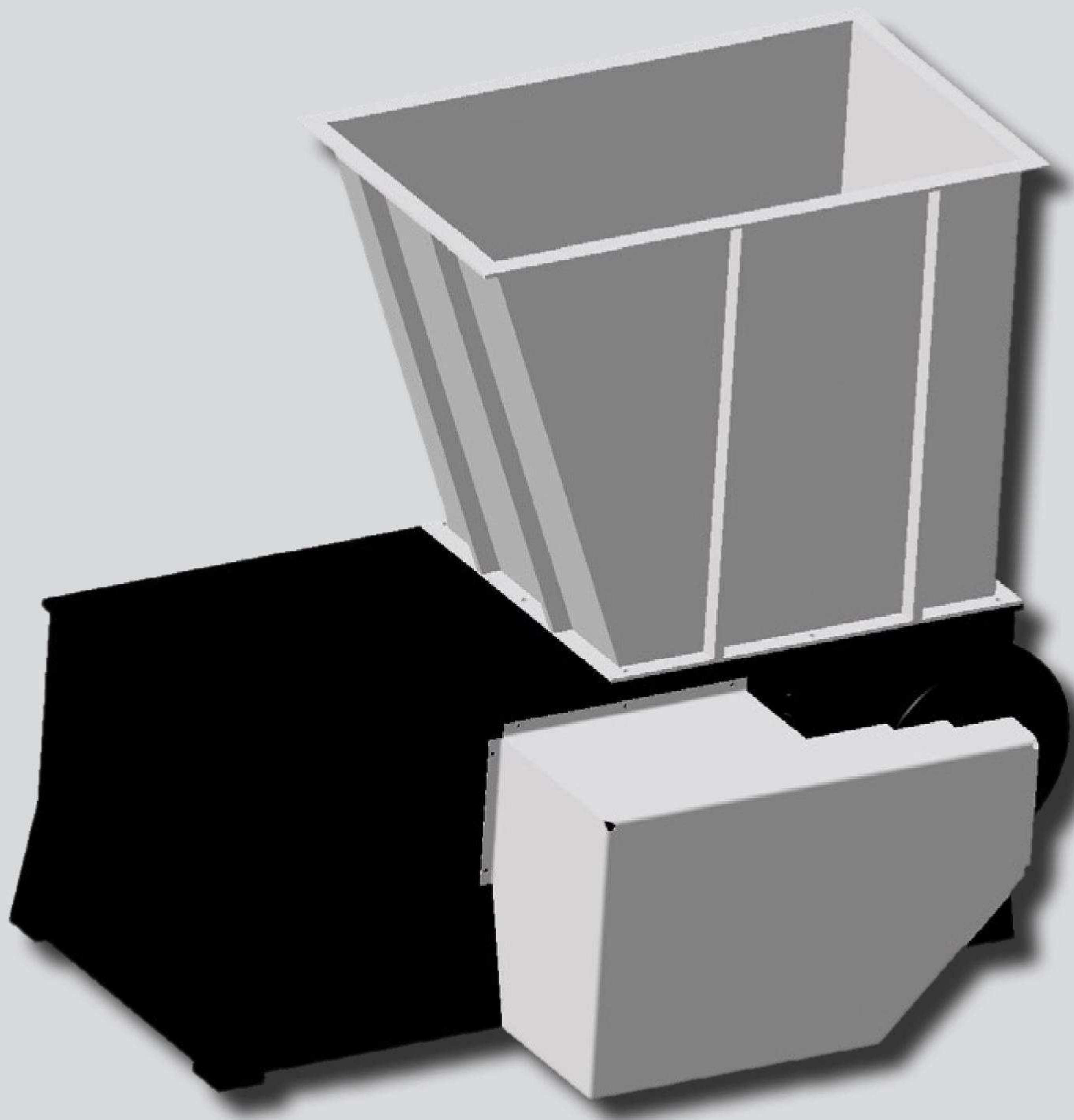


balduf-shredders



balduf

Industrial Shredder & Briquetting Technology



Made in Germany



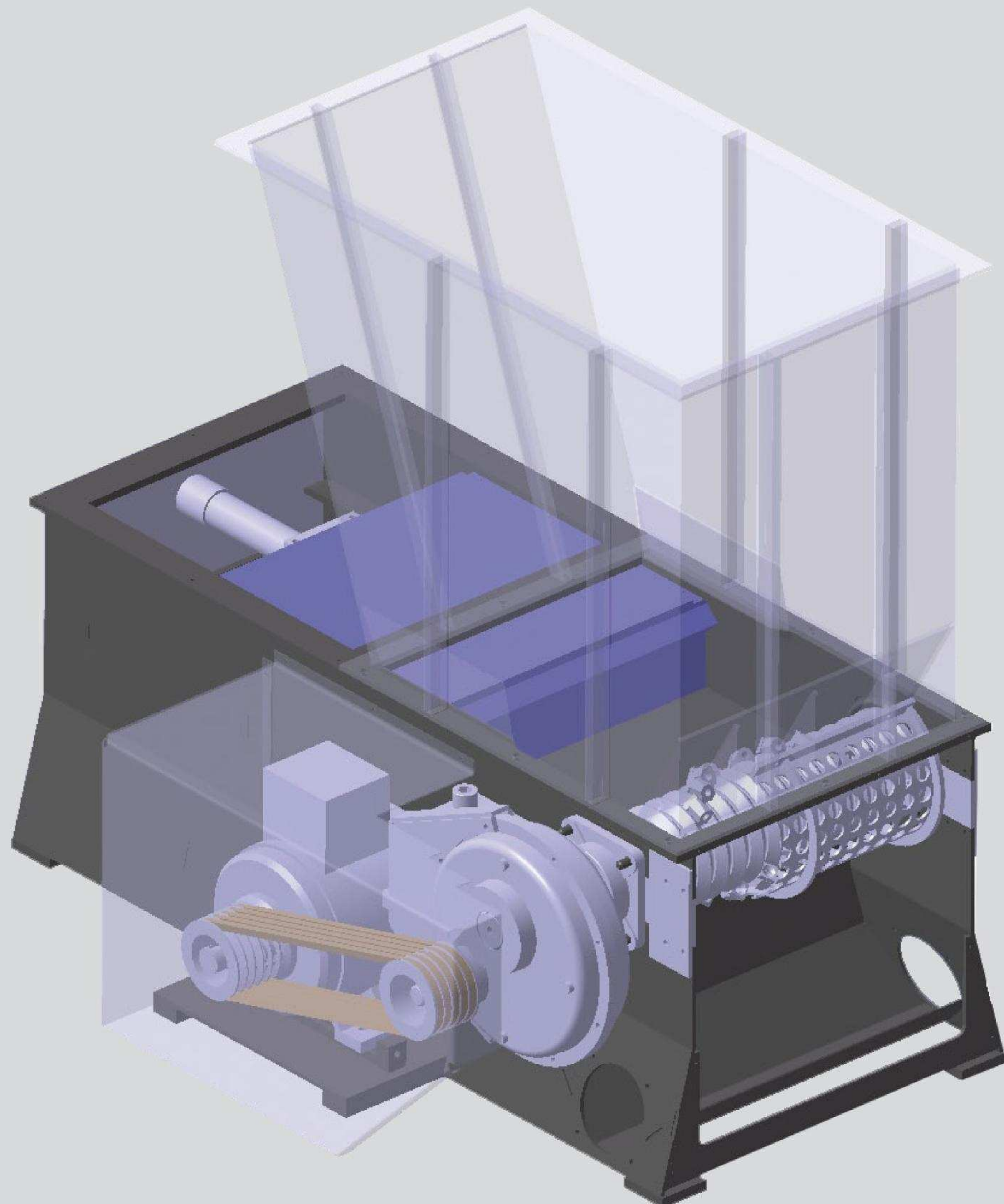
Expertise and experience!

Our advantages:

- Well-developed robust technology
- Economic disposal of various materials
- High reliability and various user benefits
- Applications for trade and industrial companies
- Best possible shredding results due to the engineered face of the hydraulik slide
- High performance due to the programmed control of the hydraulik slide
- Programmable logic control (PLC)
- Touch-screen for rapid correction of errors (optional)
- Slower, gradual-running and powerful Rotor

Features:

The machine shreds hard wood, soft wood, particle board, MDF, cardboard, plastics and other materials

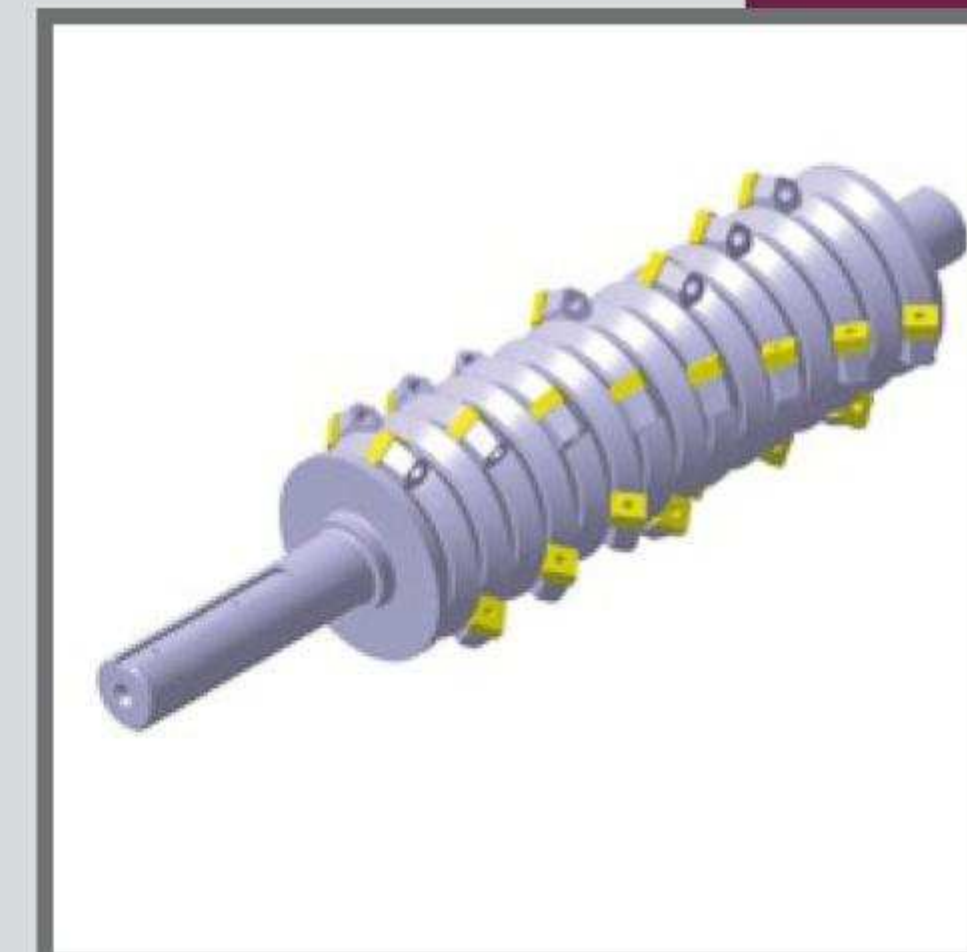


Functional principle:

Materials to be shredded enter the shredding machine through the overhead filling funnel. The hydraulik controlled slide gradually pushes the materials against the rotor and its rotating blades.

Rotor

The rotor is made of heavy duty solid steel into which contours are tuned. The blade holders are then welded into these contours. Two blade holders with cutting teeth are placed in each contour which yields larger and more even cutting along the full width of the rotor. This reduces wear on the machine and the main bearings.



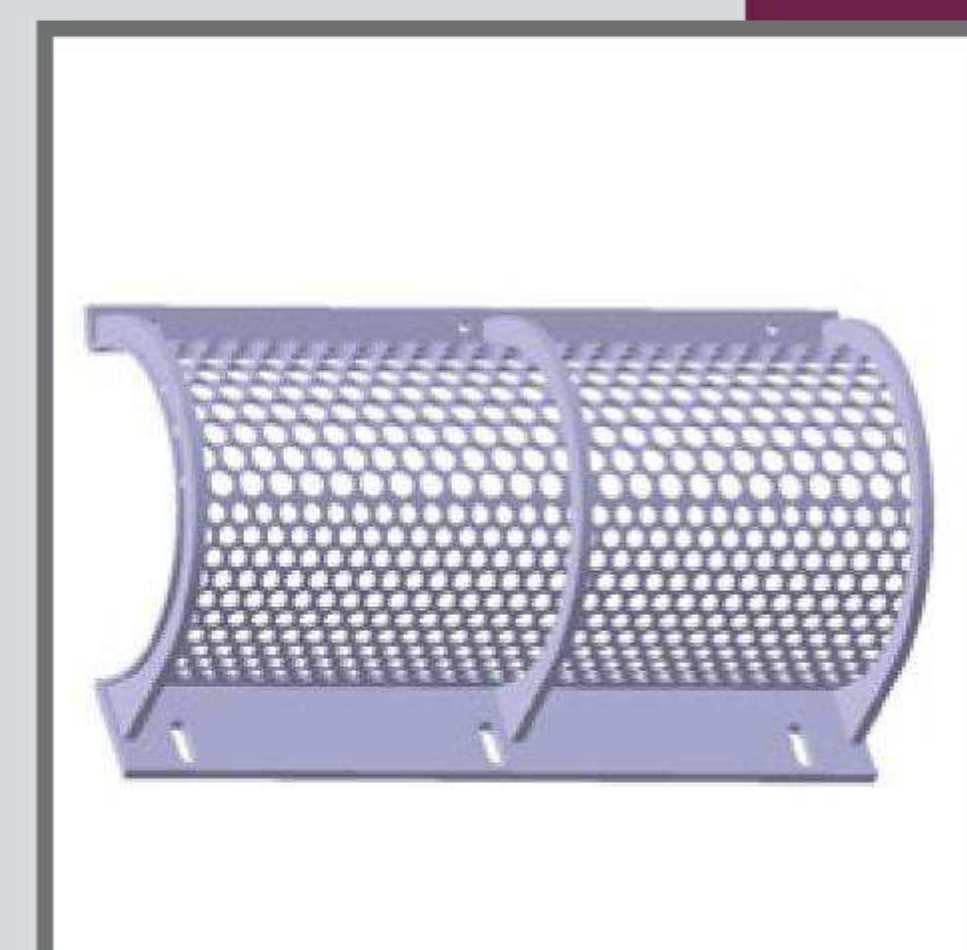
Cutting Blades

The blades can be supplied in different versions. There are square and concave blades depending upon the type of product to be shredded. Depending upon the selected version, they can be used in groups of 4 or 8.



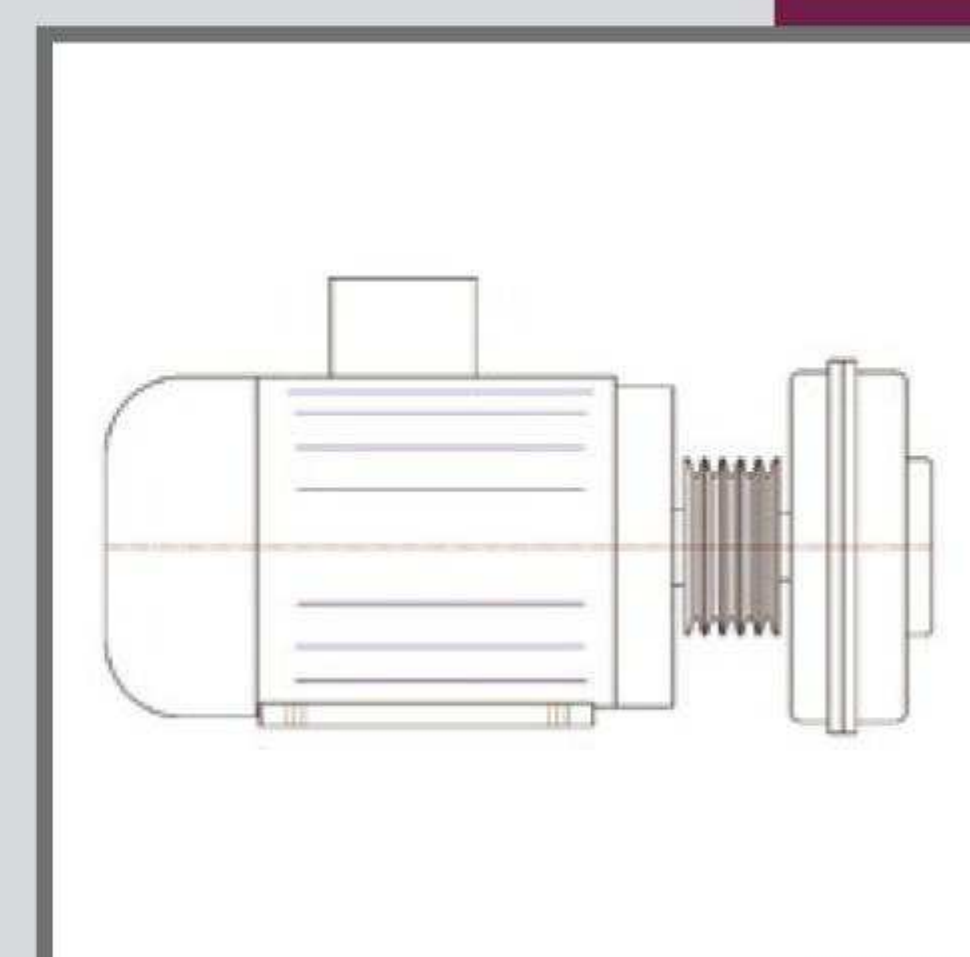
Sieve

The hole-sizes in the sieve determine the size of the chips. Smaller holes yield smaller chips. The desired size of the chips generally depends on your subsequent use or processing of the material, e.g. briquettes, woodchip heating, etc.



Turbo coupler

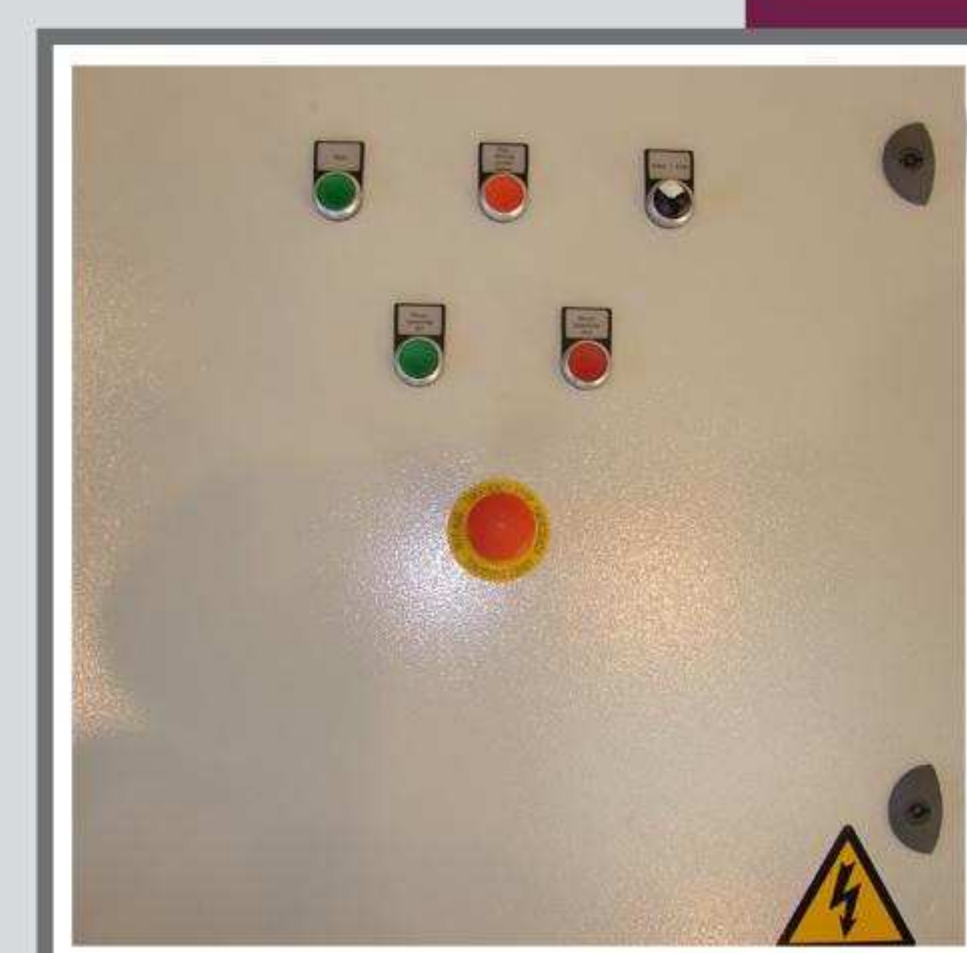
An additional turbo coupler is built into larger electrical drives. This allows the machine to be initialised smoothly. Power spikes which would normally occur upon start-up are reduced.

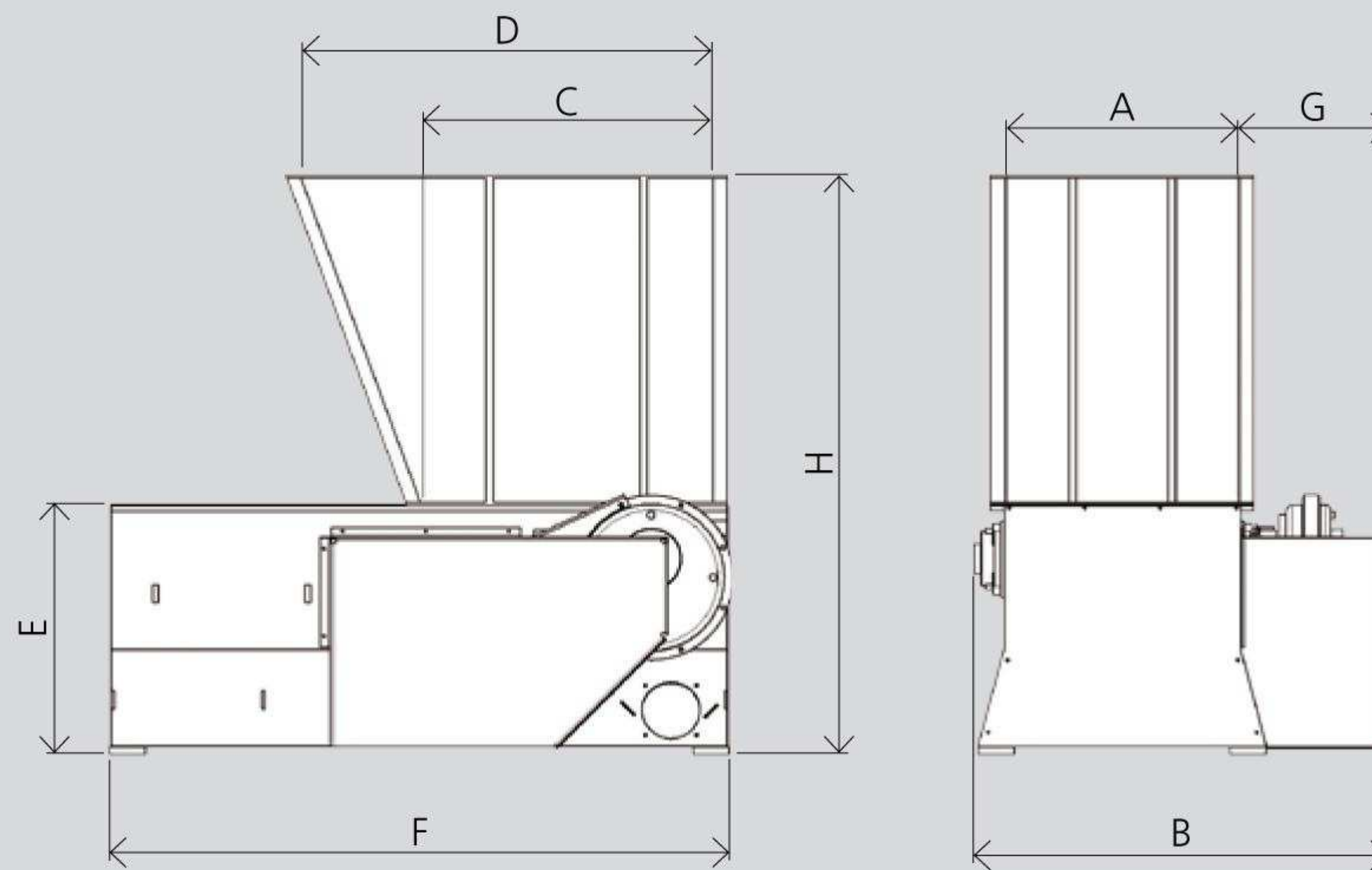


Switch cabinet

The switch cabinet is equipped with an PLC (programmable logic controller). The switch cabinet can be directly attached to the machine or mounted externally onto a wall. All operator elements are freely accessible and clearly arranged.

This can also be provided with a touch-screen upon request. This displays possible control errors (save maintenance costs).





Dimensions; balduf shredders – PZ series

Type	A mm	B mm	C mm	D mm	E mm	F mm	G mm	H mm
PZ 63-1	630	1167	800	1165	750	1737	451	1650
PZ 83-2	830	1420	1145	1450	935	2285	490	1730
PZ 103-2	1030	1970	1235	1540	935	2455	783	1730
PZ 123-2	1230	2168	1235	1540	935	2455	783	1730
PZ 153-2	1530	2520	1540	1840	935	2765	810	1730

All rights to make technical changes are reserved

Technical data; balduf shredders – PZ series

Type	Funnel opening in mm	Funnel vol. in m ³	Cutting performance	Rotor diameter in mm	Rotor speed	Number of cutting blades	Motor power in kW	Sieve holes in mm	Suction nozzle diameter in mm	Air speed in m/sec	Weight in kg
PZ 63-1	630 x 800	0,6	Dependent upon material and sieve size	260	70-90	30	15,0-18,5	8-40	160	28	1300
PZ 83-2	830 x 1000	1,0		360	70-90	40	18,5-37,0	8-50	200	28	1500-1700
PZ 103-2	1030 x 1235	1,5		360	70-90	50	22,0-45,0	8-50	200	28	2000-3000
PZ 123-2	1230 x 1235	2,0		360	70-90	60	22,0-45,0	8-50	200	28	2500-3500
PZ 153-2	1530 x 1535	3,0		360	70-90	76	30,0-55,0	8-60	250	35	2800-4000

Options:

■ Permanent magnet

Foreign bodies such as nails, screws, metal brackets and drywall screws can be removed after the shredding process with a permanent magnet. This is simply placed inside the chippings chute.

■ Switch cabinet with touch-screen

The electrical switch cabinet can also be equipped with a touch-screen as an option. This displays possible control errors (save maintenance costs).

■ Funnel shape

Upon request, the shape of the funnel can be adapted to suit the customer's requirements.

■ Special machines

The PZ series can also be used in the recycling industry. The stronger versions of the machines are more appropriate for plastics shredding.

Balduf-Surface GmbH

Bänglesäcker 25

73527 Schwäbisch Gmünd - Lindach
Germany

Telefon: +49 (0) 71 71 / 93 405 - 10

Telefax: +49 (0) 71 71 / 93 405 - 80

Email: info@balduf.de

Internet: <http://www.balduf.de>

