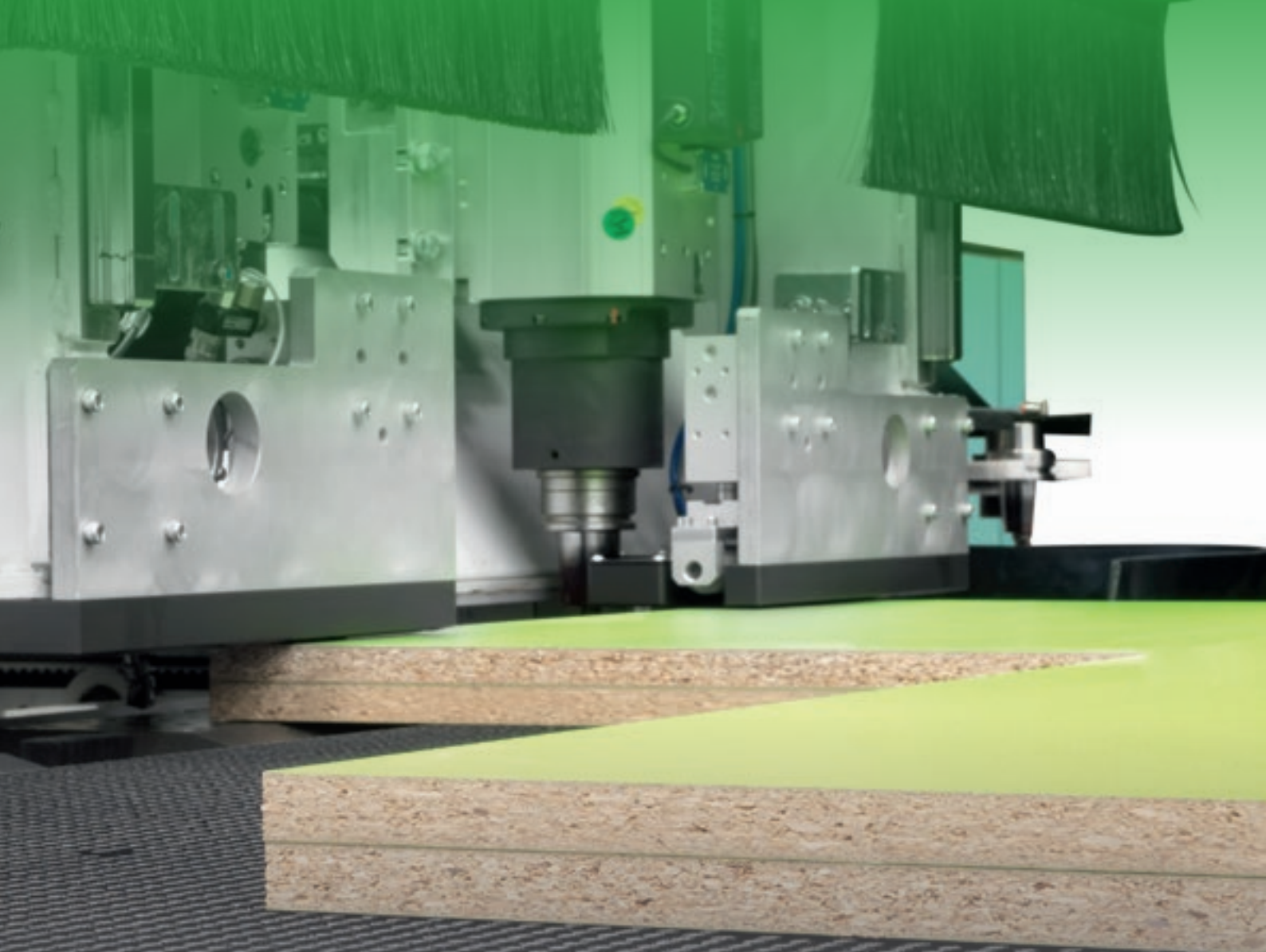


NEXT STEP

NUMERICAL CONTROL
FLEXIBLE CUTTING CENTRE



 **BIESSE**

TWO SIMULTANEOUS PROCESSES IN ONE MACHINE



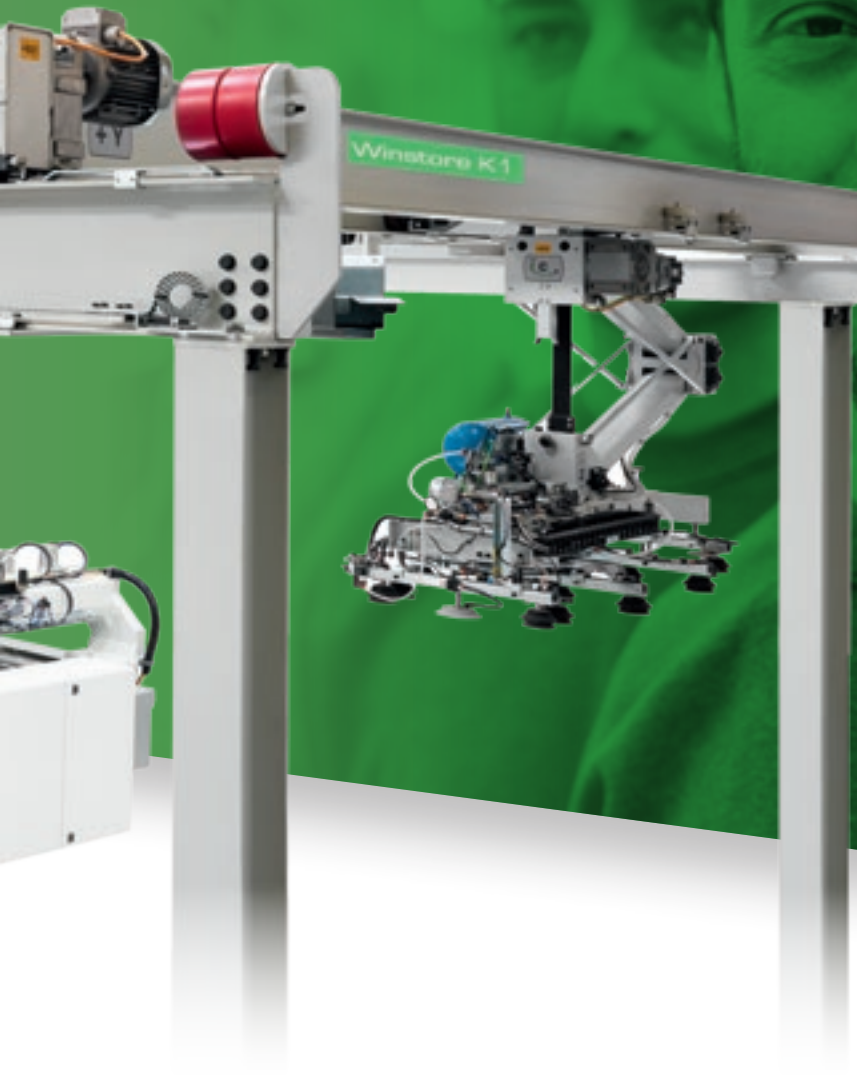
WATCH
THE VIDEO

THE MARKET EXPECTS

a change in manufacturing processes that will enable companies to **accept the largest possible number** of orders. All while maintaining high quality standards, **increased productivity and fast, reliable delivery times**.

BIESSE MEETS

these requirements with cutting-edge technological solutions that enhance and support technical expertise as well as process and material knowledge. The **NextStep** flexible cutting centre is the only solution on the market that combines two processes in one: the flexibility of a machine with router and the precision of a squaring machine. It is also the only solution that can machine two overlapping panels simultaneously. Ideal for customers who need to diversify the production of small batches of panels.



NEXTSTEP

- ✓ ROBUST STRUCTURE, MAXIMUM SQUARING PRECISION
- ✓ HIGH PRODUCTIVITY THANKS TO THE POSSIBILITY OF MACHINING TWO OVERLAPPING PANELS
- ✓ INTELLIGENT MANAGEMENT OF WASTE
- ✓ TOTAL INTEGRATION IN BATCH-ONE LINE CONTEXTS

ROBUST STRUCTURE, MAXIMUM SQUARING PRECISION



The rigid structure of Nextstep guarantees that there are no vibrations whilst carrying out machining operations, which means perfect end products.

The rigid structure of Nextstep guarantees that there are no vibrations whilst carrying out machining operations, which means perfect end products.



Twin automatic tool change - each dedicated to one electrospindle.

MAXIMUM EFFICIENCY AND HIGH PRODUCTIVITY

The Nextstep flexible cutting centre guarantees perfect squaring thanks to the simultaneous use of two routers and the combined action of the rear pushing device grippers, side gripper and vertical pressers.



CUTTING AND SQUARING
IN JUST ONE STEP



CUTTING FLEXIBILITY

Nextstep can continuously produce sequences of panels that vary in terms of size and material, ensuring a perfect finish.

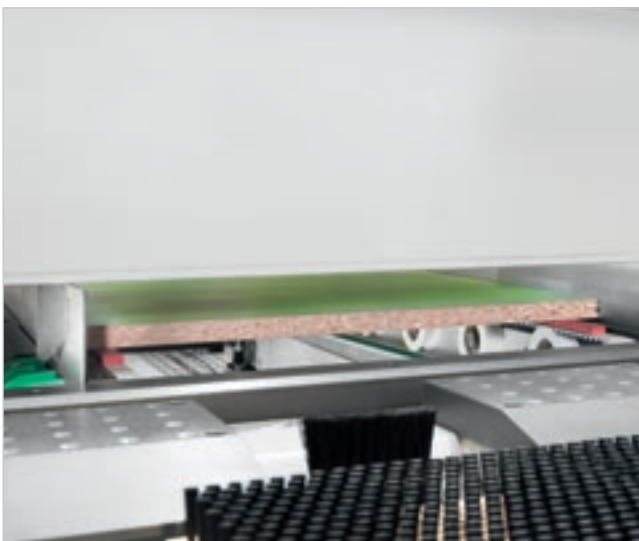


First class technology to meet the flexibility and productivity needs of the most demanding customers.



Side clamp and automatic positioning to grip the panel firmly during the cutting phase.

THE PIECE GOES OUT SQUARED AND READY FOR EDGEBANDING



Extractor guides (a patented system that facilitates panel out-feed, avoiding any imperfection).



Automatic management of waste
Waste is produced when the machine is running to reduce cycle time and is then automatically emptied.

FLEXIBILITY FOR SMALL BATCHES, UP TO 1600 PIECES PER SHIFT





BATCH ONE

A single project based on various machines and processes, with one important production target. A wide range of Biesse solutions ranging from cutting to flexible boring, with special attention paid to the piece squaring quality.

The batch-1 process allows the user to process small groups of different panels in sequence according to the specific production requirements, with zero set-up time and maximum production optimisation (for up to 1600 pieces per shift).

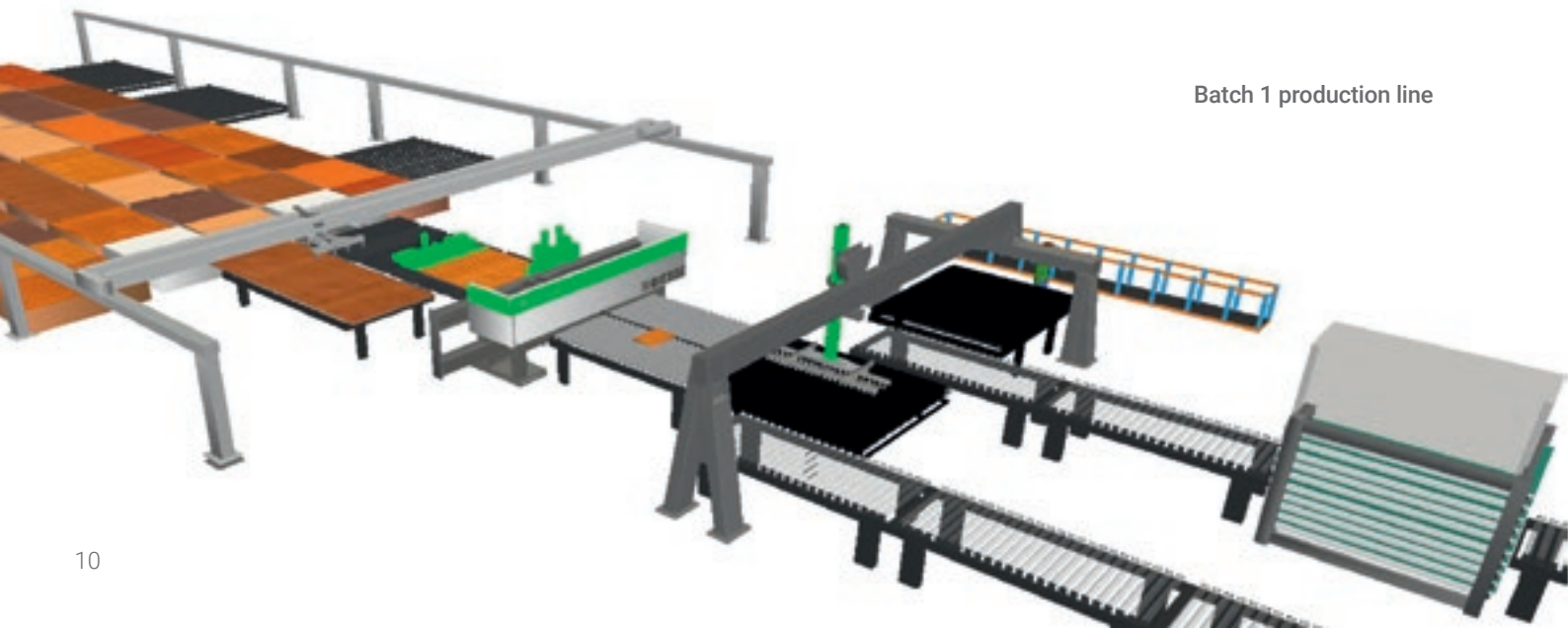


WATCH THE
VIDEO

TOTAL INTEGRATION



Integration with the Winstore loader allows several panels, of different shapes and types, to be automatically managed so that different customer requirements can be met and production can be optimised and increased.



Batch 1 production line

PRODUCTION LINES



COMPETITIVE CUSTOMISATION

Made-to-measure turnkey factories, plus the integration of Biesse Group solutions with complementary software and machinery with over 1000 systems installed worldwide.

Biesse Systems is a team of highly trained engineers for large scale production processes. Biesse Systems offers integrated cells and systems which are capable of maximising customer competitiveness by combining mass production techniques with a high degree of customisation to meet customers' exact requirements.

THE MOST ADVANCED TECHNOLOGY CLOSE AT HAND

bTouch is an optional feature that can be purchased after purchase of the machine to enhance the functionality and the usage of the technology available.



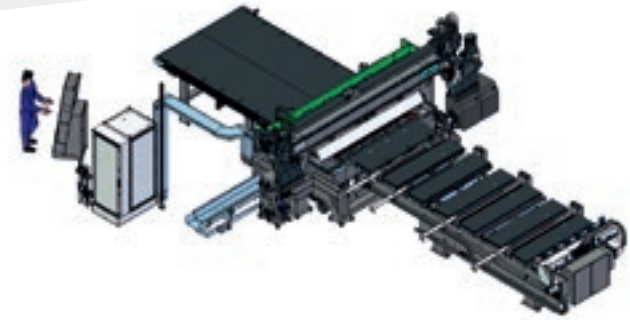
bTouch is the new 21.5" touch screen which enables you to carry out all of the functions previously performed using the mouse and the keyboard, enhancing the direct interaction between the user and the device.

Perfectly integrated with the B_SUITE 3.0 interface (and with later versions) and optimised for touch, this solution is incredibly simple, and makes the best possible use of the Biesse software functions installed on the machine. The screen has a maximum resolution of 1920 x 1080 (Full HD) at 60 Hz.

Specifically, you can:

- ✔ Create any CAD programme (including parametric programmes), with layouts and machining operations
- ✔ Move, rotate and increase the size of objects (panel, NC machine, tool etc.) present within the CAD/CAM area
- ✔ Quickly and simply complete warehouse tooling, by dragging the tools into their designated places
- ✔ Prepare the machine for the correct positioning of the panel (machine set-up), moving tables and carriages into the desired position
- ✔ Send a programme machining list, change the parameters and send it to the NC machine for processing
- ✔ Manage all of the soft-console controls

TECHNICAL SPECIFICATIONS



WORKING DIMENSIONS

		NEXTSTEP X1 5.6	NEXTSTEP X1 4.4	NEXTSTEP X1 3.6
X	mm/inch	13200/520	11430/450	10080/397
Y	mm/inch	6050/238	6050/238	6050/238
Z	mm/inch	2870/113	2870/113	2870/113
Work table height	mm/inch	1200/47	1200/47	1200/47

WORKING FIELD LOADABLE SHEETS

		NEXTSTEP X1 5.6	NEXTSTEP X1 4.4	NEXTSTEP X1 3.6
X	mm/inch	1000 - 5600/39 - 220	1000 - 4400/39 - 173	1000 - 3600/39 - 142
Y	mm/inch	1000 - 2250/39 - 88	1000 - 2250/39 - 88	1000 - 2250/39 - 88
Z	mm/inch	8 - 60 (*)/0.3 - 2.3 (*)	8 - 60 (*)/0.3 - 2.3 (*)	8 - 60/0.3 - 2.3

(*) 2 overlapping sheets of the same size can be processed, total height must not exceed 60 mm.

PANEL DIMENSIONS

		NEXTSTEP X1 5.6	NEXTSTEP X1 4.4	NEXTSTEP X1 3.6
X	mm/inch	160 - 3200/6 - 126	160 - 3200/6 - 126	160 - 3200/6 - 126
Y	mm/inch	120 - 2200 /5 - 87	120 - 2200/5 - 87	120 - 2000*/5 - 79(*)
Z	mm/inch	8 - 60/0.3 - 2.3	8 - 60/0.3 - 2.3	8 - 60/0.3 - 2.3

(*) Up to 160mm, the machining operation is performed with a single electrospindle.

SPEED

		NEXTSTEP X1 5.6	NEXTSTEP X1 4.4	NEXTSTEP X1 3.6
Axes	m/min ft/min	X=85 Y=85 Z=25 X=279 Y=279 Z=82	X=85 Y=85 Z=25 X=279 Y=279 Z=82	X=85 Y=85 Z=25 X=279 Y=279 Z=82
Electrospindles	giri/rpm/min	12000 - 24000	12000 - 24000	12000 - 24000

The technical specifications and drawings are non-binding. Some photos may show machines equipped with optional features. Biesse Spa reserves the right to carry out modifications without prior notice.

Operating conditions: sectioning on double panel. A-weighted sound pressure level (LpA) 80 dB(A). A-weighted sound power level (LwA) 105 dB (A) Measurement uncertainty K 4 dB(A).

The measurement was carried out in compliance with UNI EN ISO 3746, UNI EN ISO 11202:2010 and subsequent amendments. The noise levels shown are emission levels and do not necessarily correspond to safe operation levels. Despite the fact that there is a relationship between emission and exposure levels, this may not be used in a reliable manner to establish whether further measures need to be taken. The factors determining the exposure level for the workforce include length of exposure, work environment characteristics, other sources of dust and noise, etc. i.e. the number of other adjoining machines and processes. At any rate, the above information will enable the operator to better evaluate dangers and risks.

HIGH-TECH BECOMES ACCESSIBLE AND INTUITIVE



B_SOLID IS A 3D CAD CAM SOFTWARE PROGRAM THAT SUPPORTS THE PERFORMANCE OF ANY MACHINING OPERATION THANKS TO VERTICAL MODULES DESIGNED FOR SPECIFIC MANUFACTURING PROCESSES.

- Planning in just a few clicks.
- Simulating machining operations to visualise the piece ahead of manufacturing and have some guidance for the planning phase.
- Virtual prototyping of the piece to avoid collisions and ensure optimal machine equipment.
- Machining operation simulation with a calculation of the execution time.



REDUCED TIME AND WASTE



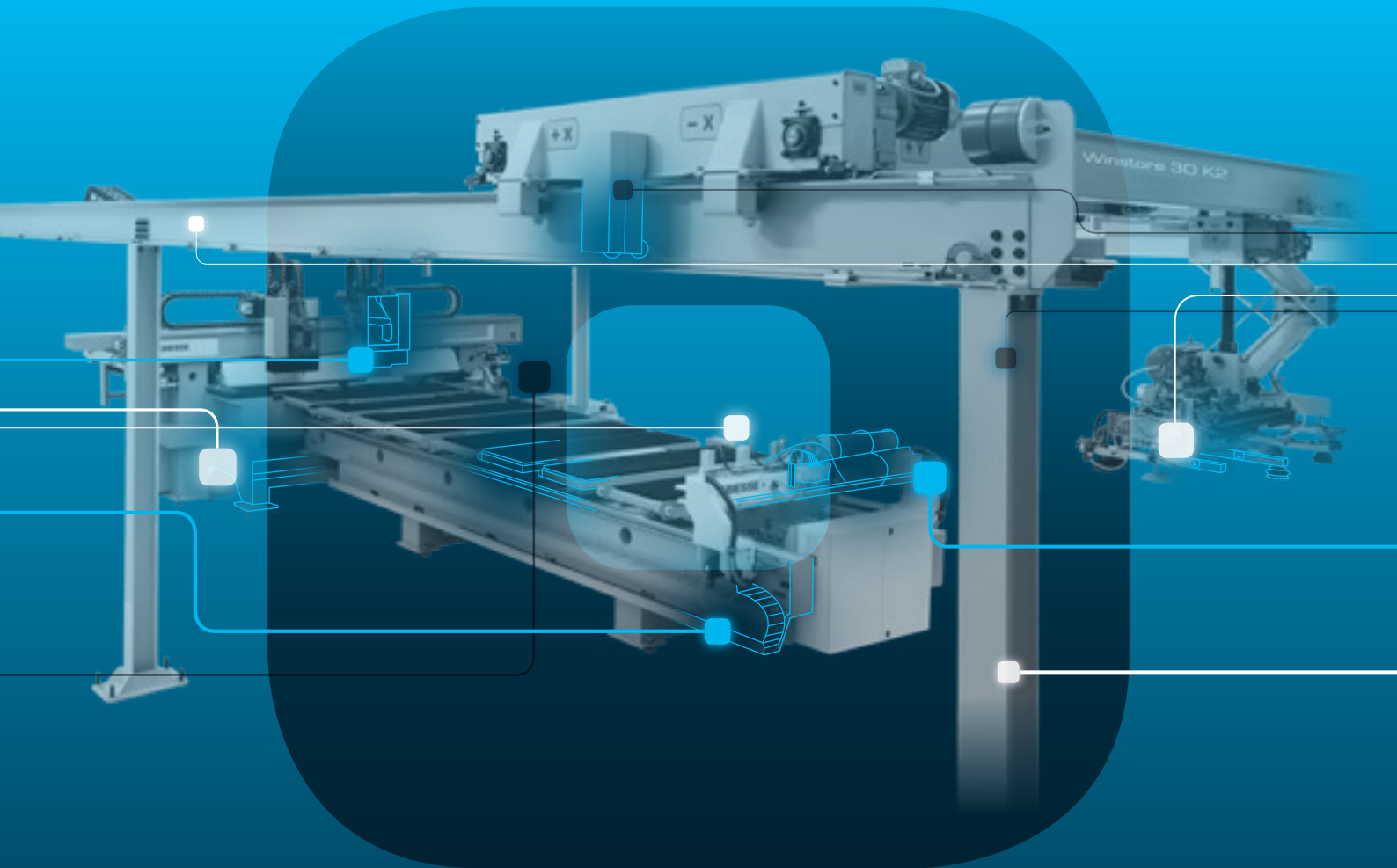
B_NEST IS THE B_SUITE PLUGIN SPECIFICALLY FOR NESTING OPERATIONS. IT ALLOWS YOU TO ORGANISE YOUR NESTING PROJECTS IN A SIMPLE WAY, REDUCING THE MATERIAL WASTE AND MACHINING TIMES.

- ✔ Flexibility with reduced production times and costs.
- ✔ Optimisation for every type of product.
- ✔ Management of articles, sheets and labels.
- ✔ Integration with company software.



SOPHIA

GREATER VALUE FROM MACHINES



SOPHIA is the IoT platform created by Biesse in collaboration with Accenture which enables its customers to access a wide range of services to streamline and rationalise their work management processes.

It allows alerts and indicators to be sent to the customer in real time, in relation to production, the machines used and the type of process carried out. These are detailed instructions for more efficient use of the machine.

□ **10% CUT IN COSTS**

□ **50% REDUCTION
IN MACHINE DOWNTIME**

□ **10% INCREASE
IN PRODUCTIVITY**

□ **80% REDUCTION IN PROBLEM
DIAGNOSTICS TIME**

**SOPHIA TAKES THE INTERACTION BETWEEN
CUSTOMER AND SERVICE TO A HIGHER LEVEL.**

iOT
SOPHIA

IoT - SOPHIA provides a comprehensive overview of the specific machine performance features, with remote diagnostics, machine stoppage analysis and fault prevention. The service includes a continuous connection with the control centre, the option of calling for assistance from within the customer app (such calls are managed as priorities), and an inspection visit for diagnostic and performance testing within the warranty period. Through SOPHIA, the customer receives priority technical assistance.

PARTS
SOPHIA

PARTS SOPHIA is the easy new, user-friendly and personalised tool for ordering Biesse spare parts. The portal offers customers, dealers and branches the chance to navigate within a personalised account, consult the constantly updated documentation of the machines purchased, and create a spare parts purchase basket indicating the real time availability in the warehouse and the relative price list. In addition, the progress of the order can be monitored at all times.

 **BIESSE**

in collaboration with  **accenture**

CUSTOMER CARE IS WHO WE ARE

SERVICES is a new experience for our customers, to offer not just excellent technology but the added value of an increasingly direct connection with the company, the professionals who work there and the experience they embody.



ADVANCED DIAGNOSTICS

Digital channels for remote interaction online 24/7. Always ready to intervene on-site seven days a week.



A WORLDWIDE NETWORK

39 branch offices, over 300 certified agents, retailers in 120 countries, and spare parts warehouses in America, Europe and the Far East.



SPARE PARTS AVAILABLE IMMEDIATELY

Identification, shipping and delivery of spare parts for every need.



EVOLVED TRAINING OPPORTUNITIES

Lots of on-site, online and classroom training modules for personalised growth.



VALUABLE SERVICES

A wide range of services and software packages to help our customers achieve continuous improvements in performance.

AN EXCELLENT LEVEL OF SERVICE

+550

HIGHLY SPECIALISED
TECHNICIANS AROUND
THE WORLD, READY TO
HELP CUSTOMERS WITH
EVERY NEED

90%

OF MACHINE DOWN CASES
WITH RESPONSE TIME
UNDER 1 HOUR

+100

EXPERTS IN DIRECT
CONTACT THROUGH
REMOTE CONNECTIONS
AND TELESERVICE

92%

OF SPARE PARTS ORDERS
FOR MACHINE DOWNTIME
PROCESSED WITHIN 24
HOURS

+50.000

ITEMS IN STOCK IN
THE SPARE PARTS
WAREHOUSES

+5.000

PREVENTIVE
MAINTENANCE VISITS

80%

OF SUPPORT REQUESTS
SOLVED ONLINE

96%

OF SPARE PARTS ORDERS
DELIVERED IN FULL ON
TIME

88%

OF CASES SOLVED WITH
THE FIRST ON-SITE VISIT

MADE WITH BIESSE

FOR A REVOLUTIONARY BUT CONSCIOUS DESIGN

Conscious design that understands society and skilfully changes it for the better. That's the mission at the heart of Lago, a furniture company founded in 1976 with two simple concepts encoded in its DNA: curiosity and doing things well.

The common ground for the Biesse Group and Lago, which reinforces the historic partnership between the furniture and carpentry sectors, is the Alliance project: a collection of brands, people and businesses that have decided to join the design company from Veneto on a journey of respect for our planet, ourselves and our future. The historic partnership is borne out by the innovative production plant that Biesse developed with Lago, completely restructuring the manufacturing site. The result is the inclusion of a new Batch One facility within the existing production context, in the spirit of personalisation, speed and flexibility.

The facility has a new square-edging cell with Stream MDS and Winner W1, a new drilling cell with Skipper 130 and a new Selco WNR 650 sizing centre connected to Winstore 3D K1, which intelligently manages

all the material to be processed.

"Including the 'batch one' process bolsters the 'just in time' objective set by Lago, reducing the warehouses needed for semi-finished products and raw materials, as well as reducing scrap material and elevating product quality. What's more, it improves efficiency, reduces time to delivery and offers complete control over the production flow," explains Mauro Pede, Biesse Systems Sales Director.

"The new investments have led us to a new productive flexibility that we will continue to implement, for a renewed production speed and even greater customisation of the range," adds Daniele.

Carlo Bertacco echoes the sentiment, "We are completing a 2,500 m2 expansion, to be even faster and more flexible while maintaining the extremely high level of quality that Lago is known for. It's an equation that relies heavily on technology: I'm referring to one of the particularly valuable machines we purchased from Biesse – a small 'Brema Eko' – not only is it extremely flexible, it allows us to greatly simplify some steps, since we can process painted pieces without wor-

rying about damaging them.

It's proof that with clear ideas and a precisely organised work flow one can find simple solutions that produce excellent results."

**LAGO BELIEVES
THAT DESIGN MUST
BE GUIDED BY MAN,
BY HUMANITY AND
EMPATHY**



Daniele Lago
Founder



LIVE THE EXPERIENCE



Interconnected technologies and advanced services that maximise efficiency and productivity, generating new skills to serve better our customer.

**LIVE THE BIESSE GROUP
EXPERIENCE AT OUR CAMPUSES
ACROSS THE WORLD**

