



patent pending AZ 20 2010 002 285.1

# BOOMERANG® TFU 140

## For a wide spectrum in the material flow



Whether handcraft or industrially oriented production. The BOOMERANG® TFU 140 transports the largest material variety and is indispensable for an economic workpiece return. It convinces by its high capacity and an especially gentle workpiece handling.



Further information:  
[www.homag-automation.com](http://www.homag-automation.com)





# BOOMERANG® TFU 140

For a wide spectrum in the material flow

## BOOMERANG® TFU 140

**Best suited for customers with high material variety - from small and light up to large and heavy workpieces**

BOOMERANG® series' return conveyors perfectly harmonize in size, capacity, and speed with HOM-AG Group's unilateral edge banding machines. Hard- and software speak one language. The result: A perfectly automated sizing and edge banding processing.

### The advantages at a glance

- **Fast amortization** - pays off from 15 hours working time per week
- **Low quality costs** - gentle workpiece handling with air cushion table
- **No training necessary** - assemble the BOOMERANG®, connect it, and get started
- **Flexible operator organization** - thanks to economic one-man operation
- **Ergonomic operation** - operator will be released from heavy physical work

Technical data	TFU 140/20	TFU 140/25
Workpiece length	300 - 2.500 mm	240 - 2.700 mm
Workpiece width	60 - 800 mm	60 - 1.000 mm
4-sided processing* min. workpiece length	300 x 300 mm	240 x 80 mm
4-sided processing* max. workpiece length	2.000 x 800 mm	2.500 x 1.000 mm
Workpiece thickness	8 - 60 mm	8 - 80 mm
Workpiece weight	max. 50 kg	max. 50 kg
Working height	820 - 980 mm	820 - 980 mm
Feed speed	8 - 30 m/min	8 - 30 m/min

\*Larger workpieces can be returned or even fed out at 4-sided processing with manual support during crosswise offset and turning.

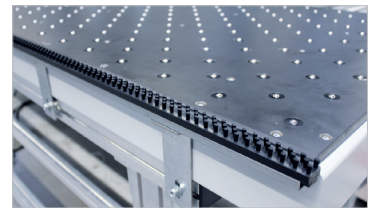
**Our options offer even more flexibility**



Lifttable air cushion table for outfeed



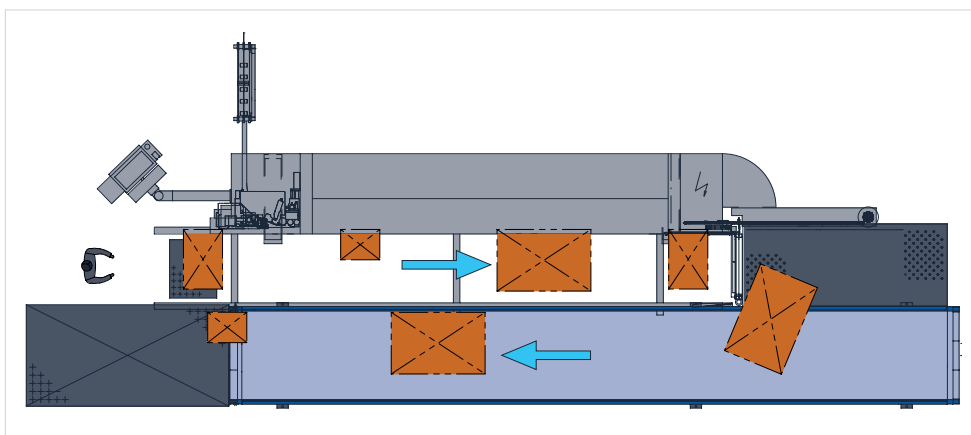
Small roller gib, lowerable



Brake brushes for air cushion table



Belt cleaning equipment



Individual requirements? Visit us at our website [www.homag-automation.com](http://www.homag-automation.com) or ask your sales partner.



**HOMAG Automation GmbH**

Ligmatech Str. 1  
09638 Lichtenberg  
Germany

[www.homag-automation.com](http://www.homag-automation.com)