

Edge banding machines KAL 520



KAL 520: The new edge banding standard

With top technology all inclusive

The KAL 520 comes complete with a rich fund of expertise and a whole range of sophisticated features which have proven highly successful in our high-performance machines. The KAL 520 is ideal for the streamlined processing of practically every type of edging material, for instance. Which makes it not only more efficient but also more flexible. And the KAL 520 also benefits from the legendary standard of HOMAG quality and reliability – because our stringent quality standards apply right across the entire machine range.



Practically-oriented equipment package

The machine offers optimum scope for a wide range of practically oriented equipment features. The performance and functional scope have been tailored precisely to the needs of smaller-scale industrial operations.



One series, a wide range of materials

The new KAL 520 is capable of processing a wide range of different materials, including melamine, PVC, ABS and veneer edges. Hot melt glue or PU is used for edge banding.

Machine type	Edging material	
KAL 520/A3	Coils	
KAL 520/A12	Solid wood	Coils

Dimensions in mm

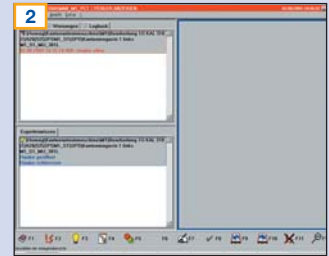
* Optionally 65

KAL 520 offers wide scope for different equipment configurations

The KAL 520 allows for an impressive array of high-performance equipment configurations. A highly economical complete solution which covers practically every requirement for coil material up to 3 mm and solid edges up to 12 mm (only 520/A12), making it easy on your budget.



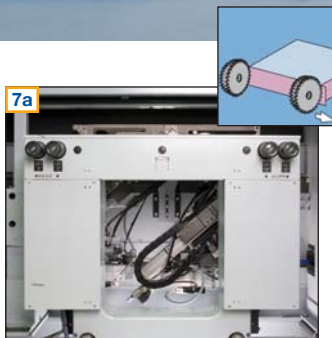
power control PC22
extremely user friendly due to menu prompting in Windows-XP Standard for ergonomic machine operation.



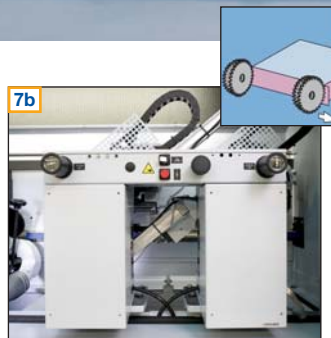
Diagnostic system woodScout Basic
with error messages in plain text, permitting systematic troubleshooting and enhancing machine availability.



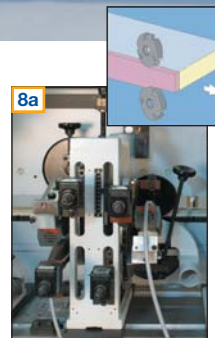
6 Glue roller lift-off
on feed stop. This prevents waste even for short machine stops, allowing every part to be used – which naturally has a positive impact on profitability.



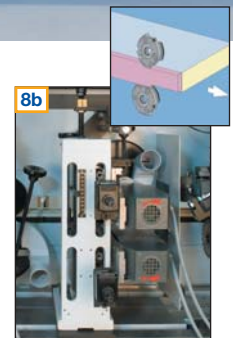
Snipping unit HL84
for snipping edge overhangs on workpiece leading and trailing edges with stationary snipping stop, for the reliable prevention of damage even to sensitive workpieces.



Snipping unit HL81
for snipping edge overhangs on workpiece leading and trailing edges. (Standard feature in KAL 520/A12)



Rough trimming unit
for rough trimming of the upper and lower edge overhang.



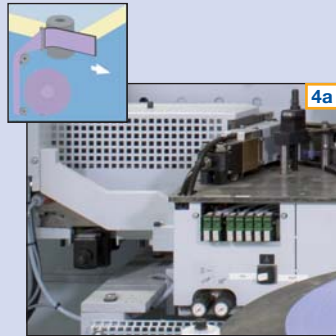
Trimming unit
For trimming chamfers or radii.

Upgrade as your needs change

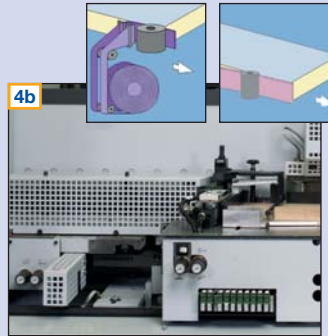
The machines of the new Optimat series are designed as a first machine (KAL 525 for longitudinal throughfeed) and a second machine (KAL 526 for longitudinal and transverse throughfeed). It is also a simple matter to equip the KAL 526 to be used for the first and second pass.



USB port
for data input and data backup to an external memory. This allows all data to be downloaded from the machine control system and stored. After an interruption, full operational capability of the machine is restored straight way due to the 1:1 data backup.



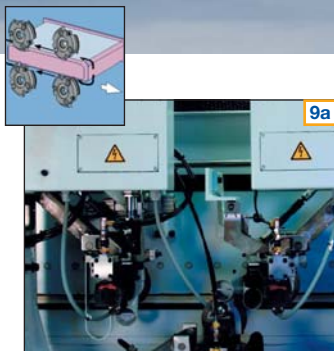
Hot melt gluing unit A3 with quickmelt
for optimum glue application on the narrow surface. Different workpiece thicknesses can be processed without the need for glue application roller resetting. (Standard feature in KAL 520/A3 machines)



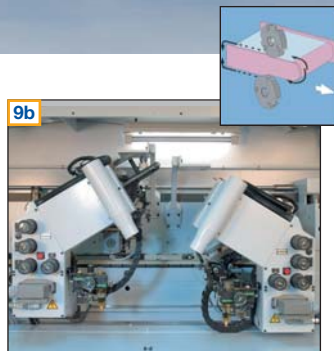
Hot melt gluing unit A12 with quickmelt
for optimum glue application on the narrow surface. Different workpiece thicknesses can be processed without the need for glue application roller resetting. (Standard feature in KAL 520/A12 machines)



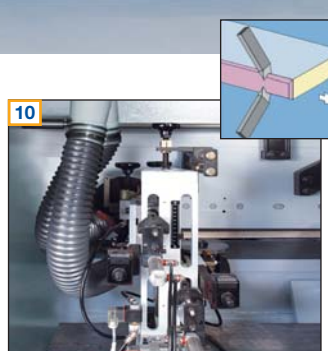
Melting unit with granulate tank
With a melting output of 18-35 kg there is always sufficient hot melt glue available.



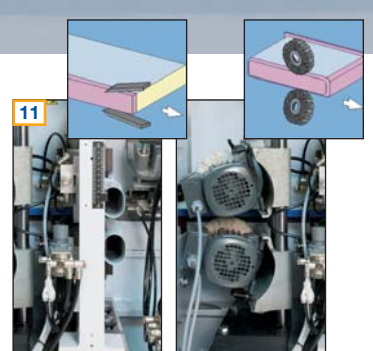
Profile trimming unit FF12
the complete trimming capability of the FF12 ensures a compact machine design. **Optional:** Automatic chamfer / radius adjustment at the FF12 allows high-speed processing changes, for example from 0.4 mm to 2 mm edges.



Profile trimming unit FK 11
for processing edge overhangs, as well as trimming around leading and trailing edges.



Finish processing
The profile scraping device PN20 smoothes trimmed edges for an optimum edge appearance. (Optional)



Finish processing
The glue joint scraping device and buffing unit add the "finishing touch" to each workpiece, ensuring that only fully ready-to-assemble components leave the production line.

Automation on demand

To ensure maximum flexibility of your processing operations, the KAL 520 can be fully automated throughout. The individual components of the automation package are precisely coordinated to the machine. They simplify operating processes when changing workpiece or edging material thicknesses, provide a uniform standard of quality and also reduce set-up times by 50 %.

1. Automatic programmed adjustment of the infeed fence

2. Automatic programmed adjustment of the pressure zone in line with the relevant edge thickness

Programmed electronic height adjustment to the relevant workpiece thickness

Automatic programmed trimming adjustment with/without edge overhang: Trimming without overhang for flush trimming of, for instance, solid wood, trimming with overhang as rough trimming prior to profiling

Automatic programmed chamfer/straight adjustment for automatic chamfer/straight adjustment of the snipping motor



Automatic programmed flush/overhang adjustment for fast changeover between flush snipping of solid strips or inlay floors and for snipping with overhang (for finish trimming using a profile trimming unit)

Automatic chamfer/radius adjustment

Profile trimming unit FF12 (automatic instead of manual) for automatic programmed chamfer/radius adjustment

Pneumatic horizontal lift-off for PN 10/20 / FA11

Optional supplementary equipment features

For all those requiring even higher output and even wider processing scope, we offer a range of additional innovative optional extras. These allow the machine to be retrofitted at a later date without problems to adjust to new or changing requirements – providing the assurance of maximum flexibility and a future-proof production set-up.

Automation permits even faster, more precise adjustment of your edging variants without the need for manual set-up.

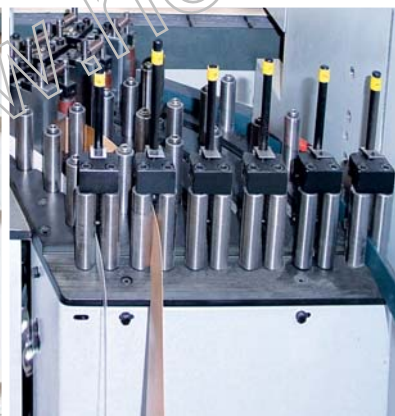
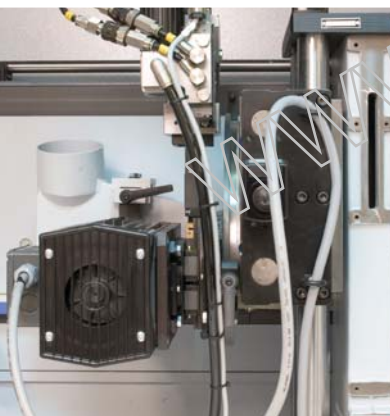
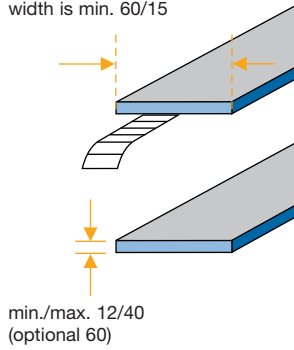
Workpiece thickness WD 60 instead of WD 40, ideal for applications such as lightweight panels

Infinitely variable edge holding-down device (only with 6-slot or 12-slot magazines)

Pneumatic adjustment PN20 / FA11

I-system diamond radius trimming tool

With workpiece thicknesses of 22/40, the workpiece width is min. 60/15

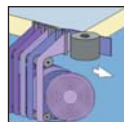
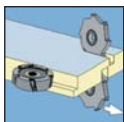


Universal trimming unit UF11 for grooving, rebate trimming and profiling

With a 6-slot coil magazine, 6 different types of edging can be processed in any optional sequence without the need for manual coil change (with gluing unit A3 optionally 12 coil slots)

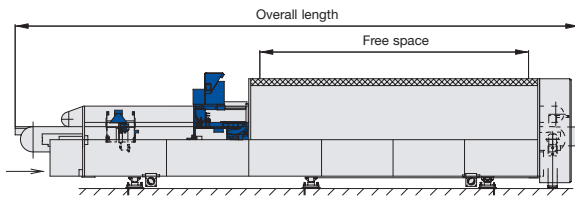
UPS (uninterruptible power supply) bridges voltage fluctuations or even power failures in your supply mains, so preventing loss of data in your control system

woodLine controls your entire machine line. Data records can be efficiently generated and processed using a production list editor. Any possibility of errors is effectively eliminated by an automatic plausibility check

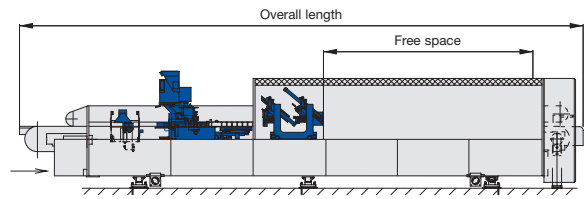


Technical data KAL 520

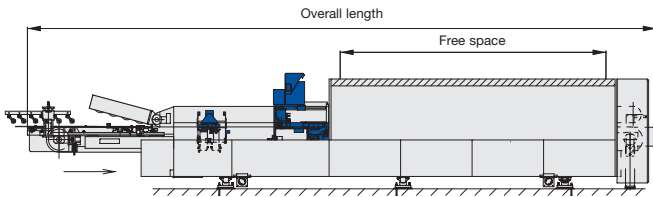
KAL 525/A3/S1



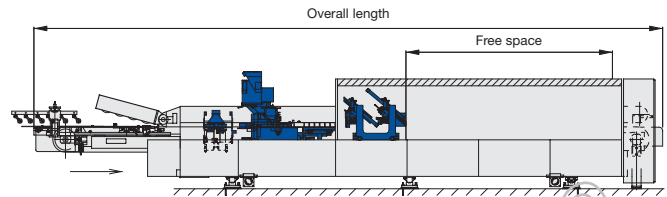
KAL 525/A12/S1



KAL 526/A3/S2



KAL 526/A12/S2



	Optimat					
	KAL 520					
Set-up dimensions						
Overall height when open [mm]	2,300					
Overall height when closed [mm]	1,740					
Working height [mm]	950					
Length	05	06	07	08	09	10
Extraction output [m³/h]	depending on equipment					
Free space	05	06	07	08	09	10
KAL 520/A3	2,300	3,300	4,300	5,135	6,135	7,135
KAL 520/A12	1,200	2,200	3,200	4,035	5,035	6,035
Overall length	05	06	07	08	09	10
KAL 525	6,650	7,650	8,650	9,650	10,650	11,650
KAL 526 Line	7,880	8,880	9,880	10,880	11,880	12,880
KAL 526 Solo	7,650	8,650	9,650	10,650	11,650	12,650

Technical data and photos are non-binding.
We expressly reserve the right to make changes in the interests of technical progress.

A member of the HOMAG Group



HOMAG Holzbearbeitungssysteme AG
Homagstraße 3-5
72296 SCHOPFLOCH
GERMANY
Phone +49 7443 13-0
Fax +49 7443 13 2300
info@homag.de
www.homag.com

