

# Every cardboard box made to measure.

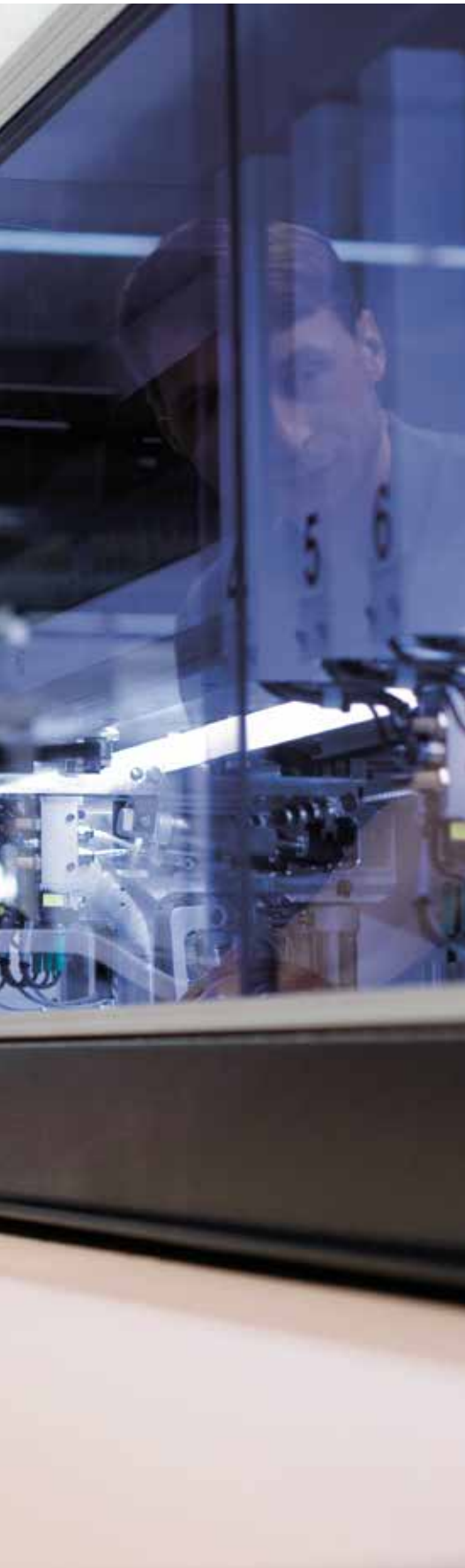
**HOMAG**

**Cardboard box cutting machine**  
PAQTEQ C-250

**YOUR SOLUTION**







## Instant-Packing: Safe and responsible packaging — just in time

The PAQTEQ cardboard box cutting machine produces resource-friendly packaging solutions for the future of the wood-processing industry. The PAQTEQ produces made-to-measure cardboard boxes fully automatically and just in time.

In a dynamic process, raw materials are used responsibly, thereby saving packaging and filling material in significant amounts. The reduced transport volume reduces the CO2 emissions and costs.

Instant-Packing stands for safe and responsible packaging.

### YOUR SOLUTION

**MORE: [HOMAG.COM](https://www.homag.com)**



PAQTEQ

### CONTENTS

- 04** Customized packaging
- 06** PAQTEQ C-250
- 08** Feed systems
- 10** PAQTEQ shop
- 14** intelliCut
- 16** Layout & function
- 18** Technical data
- 20** LifeCycleService



"With the PAQTEQ cardboard box cutting machine, you expand your horizons for using the packaging all-rounder that is corrugated cardboard. Increase efficiency in your logistics chain by using customized, environmentally friendly cardboard boxes — made on the PAQTEQ."

# Customized packaging — environmentally friendly and sustainable.

Sensitive products and high-quality goods need special protection and stability. Packaging is designed specially to offer optimum properties for transport, storage and sales. For the PAQTEQ C-250, designers and craftsmen around the world are developing cuts that can be called up directly from the machine via the Internet and, with just a few entries, adapted to the specific needs of the goods being packaged.

With the models of our cardboard box cutting machines, we have the right solution for every customer — from entry-level models up to high-performance machines, from standard use to complex packaging cutting.

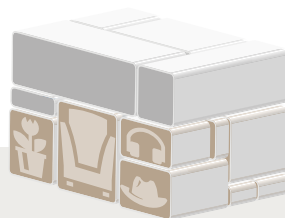
With the PAQTEQ C-250, produce exactly the packaging that you need — in optimal form, with a high volume-utilization factor and the lowest possible unit costs.



A variety of product designs, increasing cost pressure for manufacturers and logistics businesses, as well as tighter statutory requirements.



Product-specific packaging made from ecologically harmless material with a high volume-utilization factor is a viable solution.



Optimization of the dimensions and arrangement as well as packaging and palleting instructions.



Adaptation of the entire packaging system leads to an economical, damage-free transport system.

## PAQTEQ C-250 — the customized machine

Design your PAQTEQ C-250 according to your own special requirements and needs. The options available range from manual single-sheet feed up to 12 fully automated track widths.

**PAQTEQ C-250 — designed for use in both stand-alone operation as well as for integration at the start of a packaging line.**

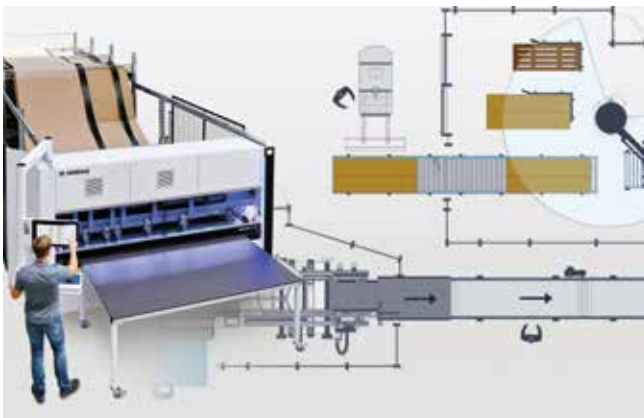
- Produces the perfect packaging at the touch of a button — fully automatic, customized and just in time
- Optimum product protection even without any additional filling materials
- Up to 8 real + 8 virtual longitudinal tools for maximum performance enable multiline processing for more complex cutting and packaging designs
- Multifunctional cutting tools — fully automatic and quick to set up
- Single-point principle — cutting, grooving and perforating at one point
- Toothed cutting knife for optimum cutting quality



The PAQTEQ C-250 cuts, perforates and puts grooves in customized **cardboard packaging** for the product — just in time. Simply install, connect and begin.



The **product management** manages all of the cardboard box references imported into the PAQTEQ and from these data records, generates corresponding production lists for the automatic cardboard box production.



The **line integration** networks a PAQTEQ C-250 with other packaging machines to form semi-automated or even fully automated packaging lines.



The **barcode control system** makes data input child's play. Simply scan the barcode and a cardboard box reference, with all the required data, is transferred to the cardboard box cutting machine.

## Cardboard box feed systems.

Cardboard box cutting machines process corrugated cardboard, turning it into individual cardboard boxes. The cardboard is cut in throughfeed, meaning that the feed system transports the corrugated cardboard into the cutting machine automatically. From a single sheet to continuous cardboard, with 12 different track widths — the PAQTEQ cardboard box cutting machine offer the right cardboard box feed system for almost every requirement.







The **single-sheet feed** enables individual packaging sheets to be fed in, as well as the use of continuous cardboard without a coil.



The **automatic single-sheet feed with lifting table** enables the automatic supply of stacked single-sheet materials.



In **side-by-side** operating mode, a further track width is added to the cardboard box feed slot so that with a six-slot change system, up to 12 track widths are possible, each with individual access.



The **combination cardboard box supply** enables the supply of single sheets as well as the use of continuous cardboard.



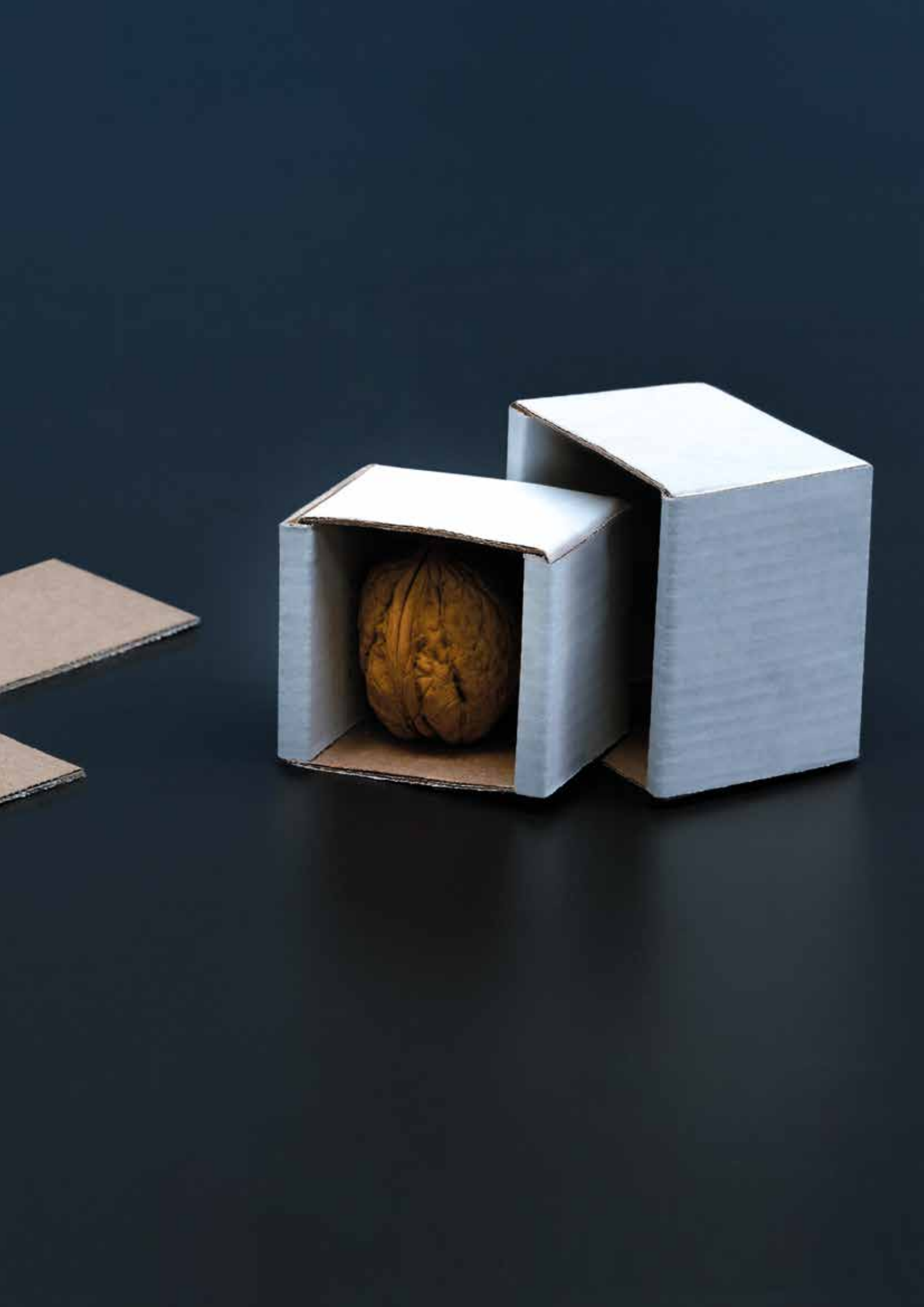
The **continuous cardboard changer** is an automatic changing system for continuous track widths with up to six slots.

# Packaging á la carte

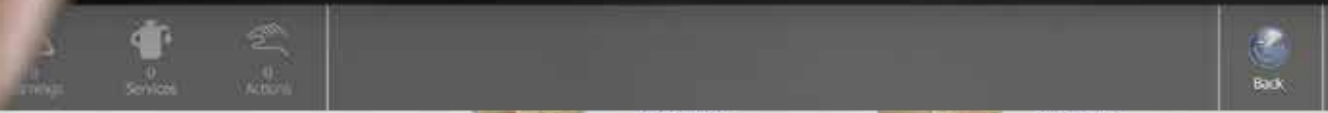
The cardboard box cutting machine PAQTEQ C-250 can be used to manufacture packaging with alternating cuts and designs from quantities as small as batch size 1! At the core of the machines are flexible tools that cut the cardboard boxes to size automatically in throughfeed. Cardboard box cutting machines can work in stand-alone operation or can be integrated into packaging lines.

And the best part is, in our PAQTEQ shop, you can get all the designs for your packaging at the click of the mouse.





# HOMAG



- |  |  |
|--|--|
| <br>ab 168,00 € *<br>MEHR INFO  | <br>ab 168,00 € *<br>MEHR INFO  |
| <br>Zuschnitt FEFCO 0422<br>VARIANTE<br>Variante wählen<br>ab 168,00 € *<br>MEHR INFO | <br>Zuschnitt FEFCO 0423<br>VARIANTE<br>Variante wählen<br>ab 168,00 € *<br>MEHR INFO |
| <br>Zuschnitt FEFCO 0425<br>VARIANTE<br>Variante wählen<br>ab 168,00 € *<br>MEHR INFO | <br>Zuschnitt FEFCO 0426<br>VARIANTE<br>Variante wählen<br>ab 168,00 € *<br>MEHR INFO |
| <br>Zuschnitt FEFCO 0427<br>VARIANTE<br>Variante wählen<br>ab 168,00 € *<br>MEHR INFO | <br>Zuschnitt FEFCO 0428<br>VARIANTE<br>Variante wählen<br>ab 168,00 € *<br>MEHR INFO |
| <br>Zuschnitt FEFCO 0453<br>VARIANTE<br>Variante wählen<br>ab 168,00 € *<br>MEHR INFO | <br>Zuschnitt FEFCO 0454<br>VARIANTE<br>Variante wählen<br>ab 168,00 € *<br>MEHR INFO |
| <br>Zuschnitt FEFCO 0455<br>VARIANTE<br>Variante wählen<br>ab 168,00 € *<br>MEHR INFO | <br>Zuschnitt FEFCO 0470<br>VARIANTE<br>Variante wählen<br>ab 168,00 € *<br>MEHR INFO |

Maschine bereit  
Daten

# PAQTEQ shop - Packaging design at the click of the mouse

In the PAQTEQ shop, packaging designs can be purchased directly from the machine and used immediately. The optimum packaging design is therefore always available on the PAQTEQ — quickly and without any complicated clarification processes.



In the **PAQTEQ shop** you can find a variety of cardboard box cuts, including many FEFCO standards for immediate use on the PAQTEQ series.  
[www.PAQTEQ-Shop.com](http://www.PAQTEQ-Shop.com)



**The right packaging design available immediately! — All cardboard box types have been tested!**

- More than 230 types of cardboard box, with the number constantly increasing
- Reduced consulting time
- Detailed type and performance description based on a reference cardboard box
- All cardboard box types have been tested
- Available in less than 60 seconds
- Automatic update of existing cardboard boxes on download
- Flat-rate online shop



# intelliCut — a machine operation that's as intuitive as a smartphone!

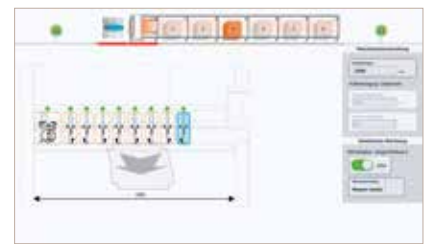
The PAQTEQ intelligent machine control unit monitors itself and, if necessary, performs an automatic recalibration to ensure highly accurate cutting precision can be sustained. To optimize the ordering of materials, all cardboard box cuts are recorded automatically and evaluated statistically over a period of three months. The display includes the track widths and the 10 cuts with the most waste.



All **machine data** is recorded and visualized in real time on the powerTouch user interface. Statistical evaluations are therefore possible, even directly on the machine.



The **waste optimization** calculates the ideal position for a cardboard box design on the continuous cardboard and aligns the cutting pattern so that there is as little waste as possible.



**Multiline processing** with six real and six additional virtual longitudinal tools, as well as a cross tool, enables complex cutting and packaging designs.



The **intelligent residual length management** reduces machine downtimes and simplifies stack changes.



Via the **free zero edge selection**, cuts can be made on both sides of the cardboard box cutting machine.



The parameters for each cut (e.g. length, width, height) are stored as the **cardboard box reference**. Recurring cuts can be easily selected and produced without re-entering parameters.



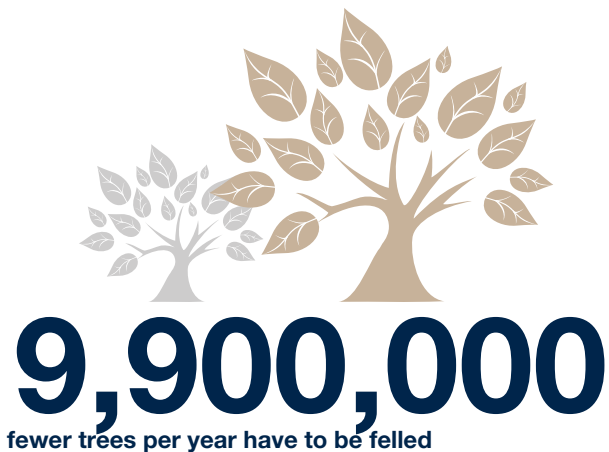
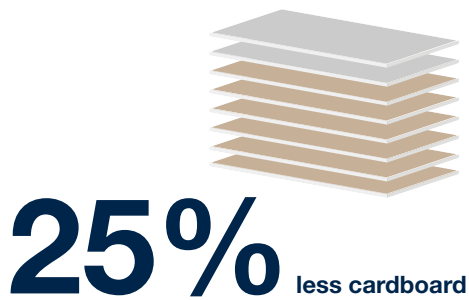
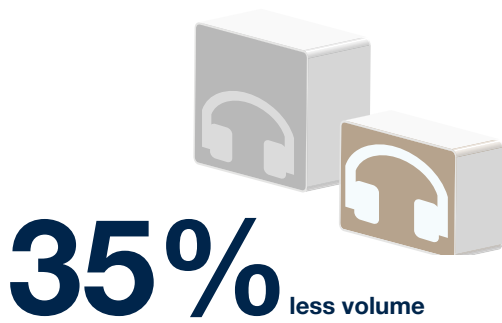
When **production lists** are used, packaging production is automated. Interruptions with individual cuts are possible without the last settings being "forgotten".



The integrated **error diagnostics system** analyzes process steps and reports any maintenance that is necessary to ensure consistent quality at all times and to avoid downtime.



All of the data from the cardboard box cutting machine is periodically backed up via the integrated **backup system** to avoid data loss.



Source: GVM Gesellschaft für Verpackungsmarktforschung mbH

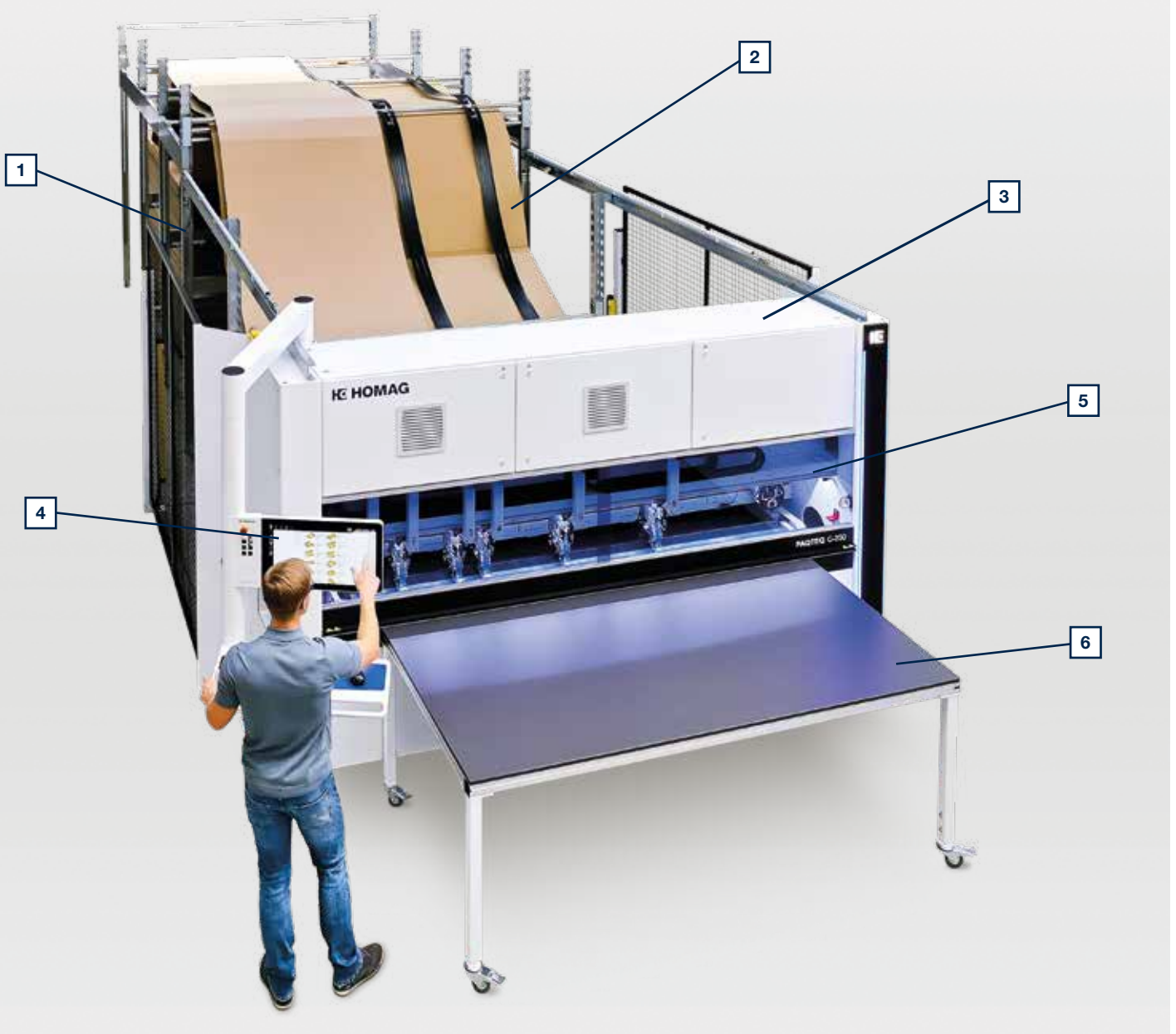
- 1 Feed system** transports corrugated cardboard into the cutting machine, from single-sheet feed to a continuous magazine with a change function.
- 2 Continuous cardboard** as corrugated cardboard without being tied to a supplier, reduces storage costs and can be printed on an individual basis.
- 3 Cutting machine** with a maximum of nine multifunctional cutting tools for almost any cardboard box design.
- 4 Operating panel** with the **intelliCut** intuitive control system software.
- 5 Illuminated cutting area**, particularly easily accessible for maintenance and for maintaining tools.
- 6 Deposit table** supports the operator during outfeed of the finished cuts and improves the ergonomics at the workstation.

## Customized, environmentally friendly packaging — manufactured on the PAQTEQ cardboard box cutting machine

With HOMAG you're investing in flexible solutions. Regardless of whether it's series operation or batch size 1, whether it's single-sheet feed or continuous cardboard, whether it's stand-alone operation or integration in a complex packaging line — the PAQTEQ cardboard box cutting machine adapts

flexibly to customer requirements and needs and grows with your tasks. Depending on the requirement, the machine can be supplemented on an individual basis with a folding machine, sealing machine, robot insertion station or robot palleting to make a complete packaging line.





**Tools that run on rubber rollers** ensure lower cutting forces and less wear, while still allowing the best cutting quality and a long tool life.

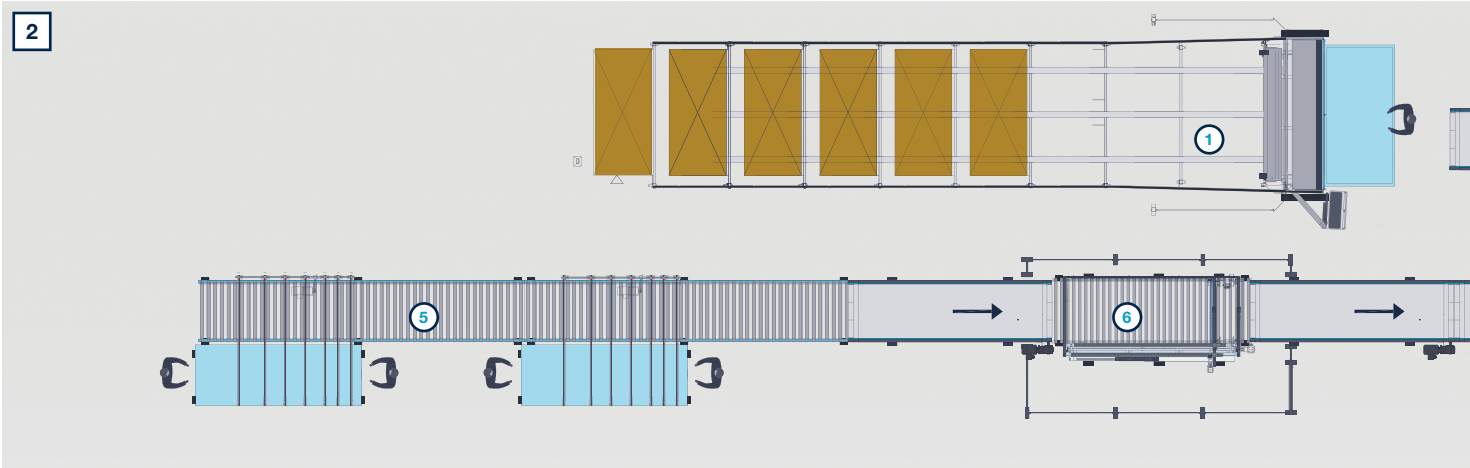
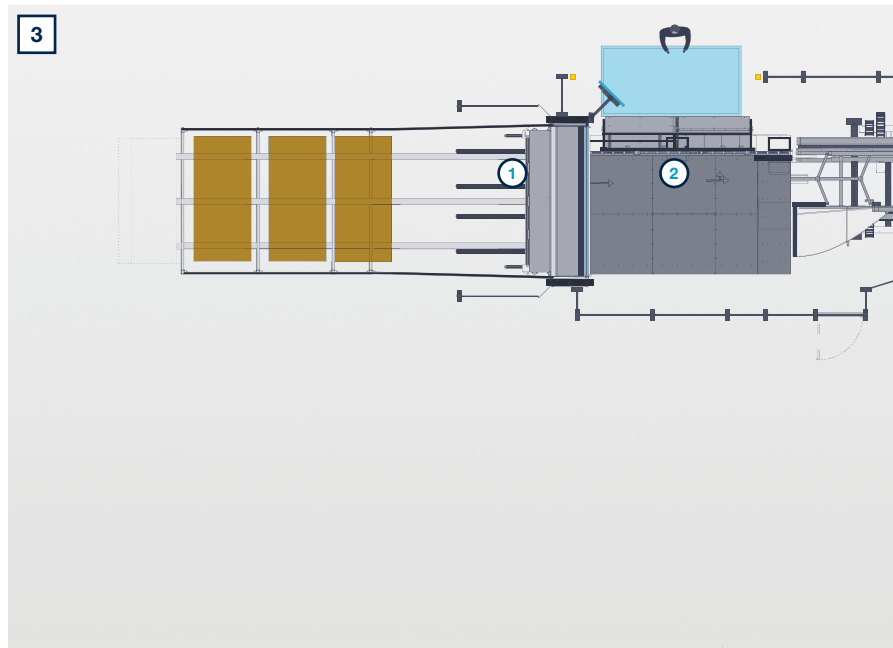
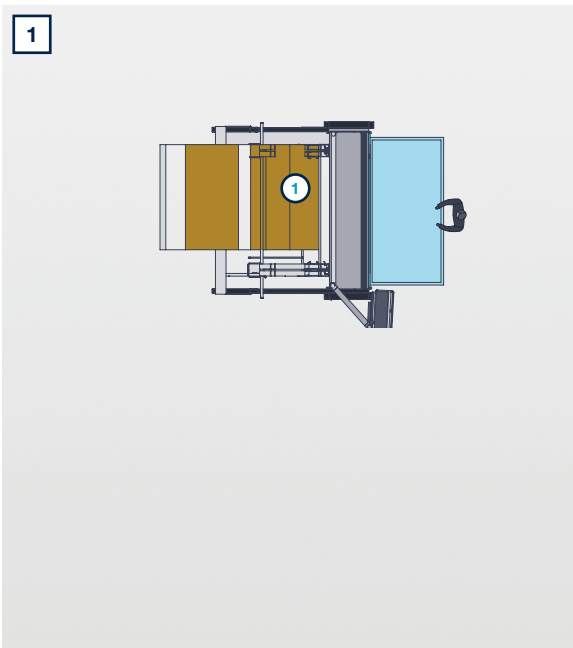


The **fully automatic moving cutting tools, which can be set up quickly**, allow almost any cut to be produced.



The **easily accessible, illuminated cutting area** makes process control and maintenance work easier.

TECHNICAL DATA	PAQTEQ C-250
<b>Length of cardboard box (outfeed)</b>	min. 300 mm
<b>Width of cardboard box (infeed)</b>	
Single sheet	350–2500 mm
Continuous cardboard, single	350–2500 mm
Continuous cardboard, side-by-side	max. 2350 mm
<b>Stack height incl. 120 mm panel</b>	max. 2150 mm



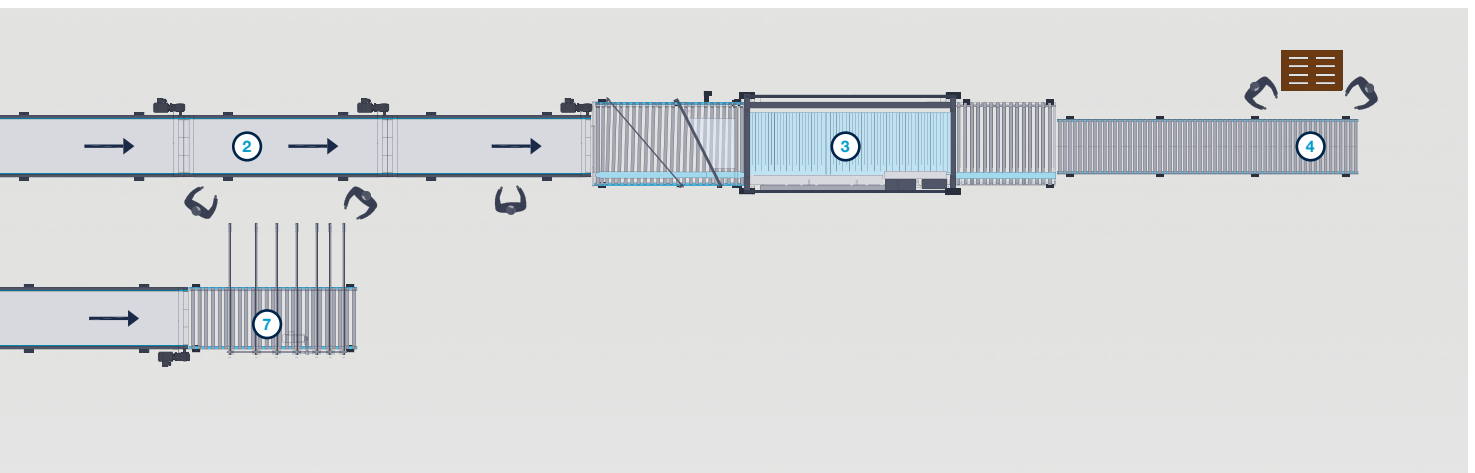
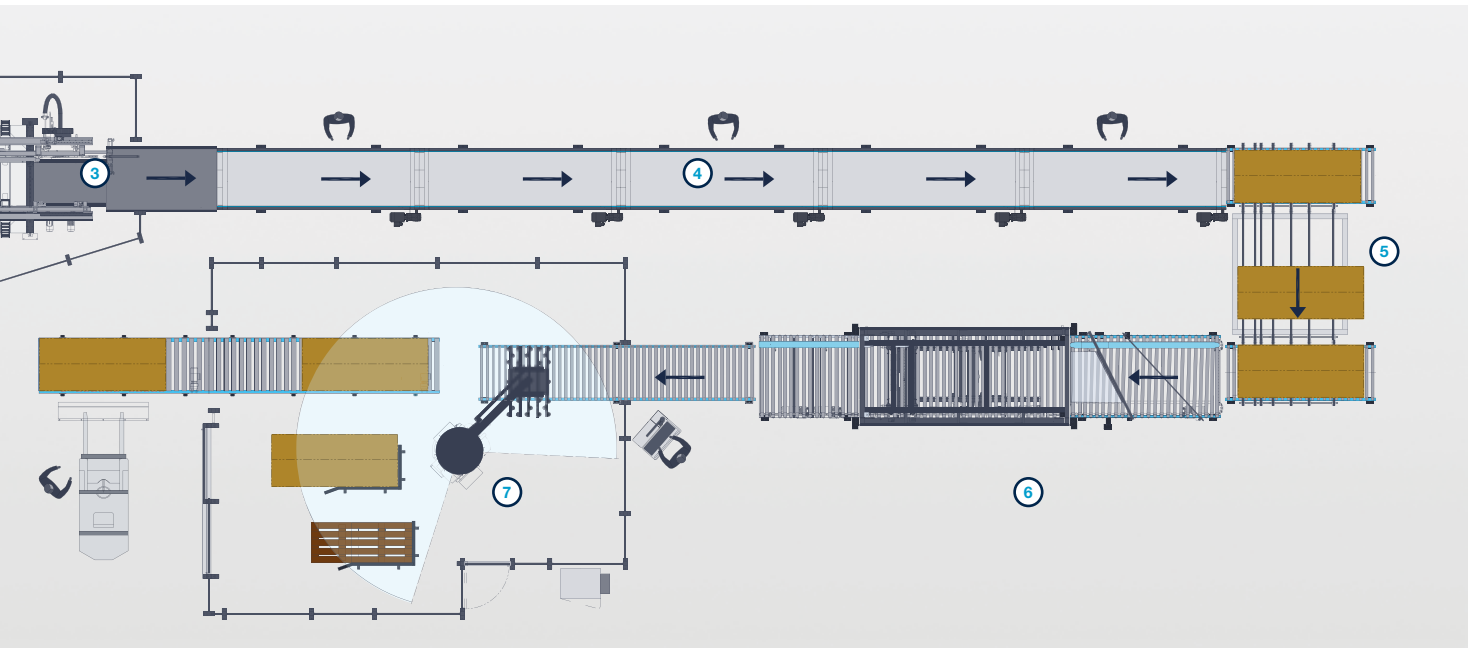
**1 PAQTEQ in stand-alone operation**

- ① Cardboard box cutting machine

**2 PAQTEQ integration in a packaging line**

- ① Cardboard box cutting machine
- ② Packaging conveyor
- ③ Cardboard box sealing machine
- ④ Manual stacking
- ⑤ Workpiece deposit station
- ⑥ Measuring station
- ⑦ Packaging transfer station

TECHNICAL DATA	PAQTEQ C-250
<b>Cutting tolerance</b>	
Longitudinal direction	max. 0.5%
Transverse direction	max. +/- 2.0 mm
<b>Cardboard thickness</b>	2.0-7.0 mm +/- 0.2 mm
<b>Cardboard box quality according to DIN 55468</b>	1-wave, thickness up to approx. 4.0 mm (quality 1.10-1.40) 2-wave, thickness up to approx. 7.0 mm (quality 2.10-2.30)



**3 PAQTEQ integration in packaging line with robot destacking**

- ① Cardboard box cutting machine
- ② Alignment station
- ③ Cardboard box folding machine
- ④ Packaging conveyor
- ⑤ Workpiece turner
- ⑥ Cardboard box sealing machine
- ⑦ Robotic stacking

# HC LIFE CYCLE SERVICES

Optimal service and individual consultations are included in the purchase of our machines. We support you with service innovations and products which are especially tailored to your requirements. With short response times and fast customer

solutions we guarantee consistently high availability and economical production – over the entire life cycle of your machine.



## REMOTE SERVICE

- Hotline support via remote diagnosis by our trained experts regarding control, mechanics and process technology. Thus, more than 90% less on-site service required and consequently a faster solution for you!
- The ServiceBoard App helps to solve tasks in a fast, simple and concrete way. This is achieved by mobile live video diagnosis, automatic sending of service requests or the online spare parts catalog eParts.



## SPARE PARTS SERVICE

- High spare parts availability and fast delivery.
- Ensuring quality by predefined spare parts and wear parts kits, comprising original spare parts.
- Identify and inquire for spare parts online under [www.eParts.de](http://www.eParts.de) 24/7, or buy even faster and more comfortably in the new HOMAG Webshop eCommerce.



## MODERNIZATION

- Keep your machinery up to date and increase your productivity as well as your product quality, This is how you can meet tomorrow's requirements today!
- We support you with upgrades, modernization as well as individual consultancy and developments.



## DIGITAL SERVICES

- ISN (intelliServiceNet) – The new remote service solution of the future! Fast restart of production because the remote service employee has extensive access to relevant physical data.
- intelliAdvice App – provides help for self-help. The preventive solutions proposed in the new App are the combination of our experiences and existing machine data.



## SOFTWARE

- Telephone support and consultancy through software support.
- Digitalization of your spare parts via 3D scanning saves time and money compared to new programming.
- Subsequent networking of your machinery with intelligent software solutions ranging from construction to production.



## FIELD SERVICE

- Increased machine availability and product quality by certified service staff.
- Regular checks through maintenance / inspection guarantee the highest quality of your products.
- We offer you the highest availability of technicians in order to reduce downtimes in case of unpredictable troubles.



#### TRAINING

- Thanks to training perfectly suited to your requirements, your machine operators can optimally operate and maintain the HOMAG machines.
- The training also include customer-specific training documents with exercises proven in practice.
- Online training and webinars. Learn without traveling, meet your trainer in the digital classroom.

For you more than ...

**1,350**

service employees worldwide

**90%**

less on-site service thanks to  
successful remote diagnosis

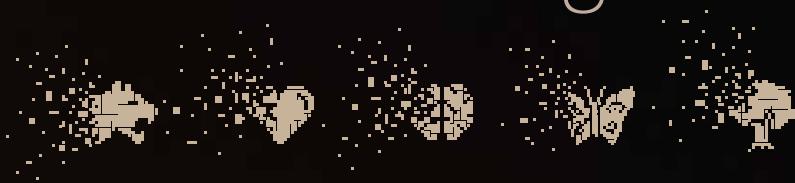
**5,000**

customer training sessions per / year

**150,000**

machines, all electronically documented  
in 28 different languages – in eParts

# Instant-Packing



The PAQTEQ cardboard box cutting machine produces fully automatic, customized packaging from batch size 1, in almost any form. Easy, quick, with consistent production quality.





**HE HOMAG**

## **HOMAG Group AG**

info@homag.com

www.homag.com



## **YOUR SOLUTION**