

When surface quality is what its all about.

T45

MARTIN



T45

Strength lies in peace.

The T45 is a planer which quickly and very quietly delivers you perfect planing results. The easy to use control precisely moves the table with four solid legs which are built into the 12 cm strong composite frames. Chip removal of up to 12 mm is therefore no problem, just like the finest planing work to under 2.8 mm residual thickness.

The T45 offers the ideal conditions for modern production. Since it delivers cleanly planed surfaces, is quick and easy to operate and has a perfect price/performance ratio.



T45 with accessories (further details in the options book)

T4501 | Motor rating 7.5 kW

T4520 | Thicknessing table equipped with guide rollers

T4521 | 450 mm thicknessing table extension, foldable

T4530 | Automatic lubrication



Electronic Control

+

Heavier vibration damping composite frame

+

Four solid legs

+

A control system that saves time.

The standard, clear and easy to follow control system of the T45 accelerates the operation of the machine.

The electronics offer memory space for 99 planing dimensions, any desired step dimension can be stored under programme "0".

Blade change in seconds with TERSA.

Thanks to the TERSA solid steel cutterhead with its form-fit blade sets all surfaces are perfectly planed – and the blade change takes place in a few seconds. TERSA reversible blades are available in four different qualities, i.e. the perfect blade for any task. Additionally the standard Z4 cutterhead can be operated as a Z2 cutterblock by using two dummy blades.

Xplane – the future has begun.

The new 3 row Xplane cutterblock from MARTIN impresses with a remarkably smooth operation even when idling. This impression is again underlined with the cutterhead in action – it works at a very low noise level. Even the largest chip removal needs a surprisingly low motor rating – another advantage. However, what's really fascinating is the surface qualities which can be reached with the Xplane even on the most difficult woods.



Xplane cutterblock | T4506/3

MARTIN • MAY • 1954

T45 Contour

Profiling and planing across the whole width.

The planer becomes a profiling machine. The T45 Contour offers globally unique solutions for the safe planing and profiling of surfaces in passes. The commercially available, back toothed blade can be quickly and easily inserted in the profile blade groove. The blade is inserted radially, the standard knife setting gauge reduces the setup effort considerably. Quick, easy and can with repetitive accuracy profile up to 630 mm width and 25 mm depth. With the T45 Contour you open up a completely new range of products and possibilities.

Even fillings are quickly and easily provided with corresponding profiles in one pass, even rippled terrace decking can be “planed” in just one work step. In short: An enormous growth in the product range offered for the businessperson!



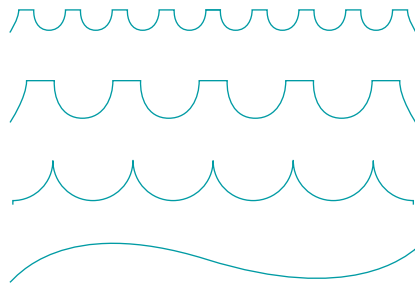
T45 Contour²⁵ with accessories (further information in the options book)

T4503 | Motor power 11 kW

T4511 | Continuous feed regulation 2 – 12 m/min

T4522 | Extension of the table length 1,200 mm

T4541 | Second guide ridge



Stay flexible.

Generally a planer can plane one thing in particular – namely workpieces to thickness. With the T45 Contour MARTIN offers a machine which can also profile complete areas alongside thickness planing. This means that this machine can be used to produce profiled seating surfaces, rippled terrace decking, round bars, and much more – quickly and easily. A huge growth in your offering range!



It's so easy to set up the profile.

With the T45 Contour you open up a completely new range of products and possibilities. Along with classical full-surface profiling you can also, for example, profile complete solid seating surfaces. Even fillings or terrace decking are quickly and easily provided with corresponding profiles in passes. The T45 Contour is the first choice whenever wide profiles have to be produced in one pass.

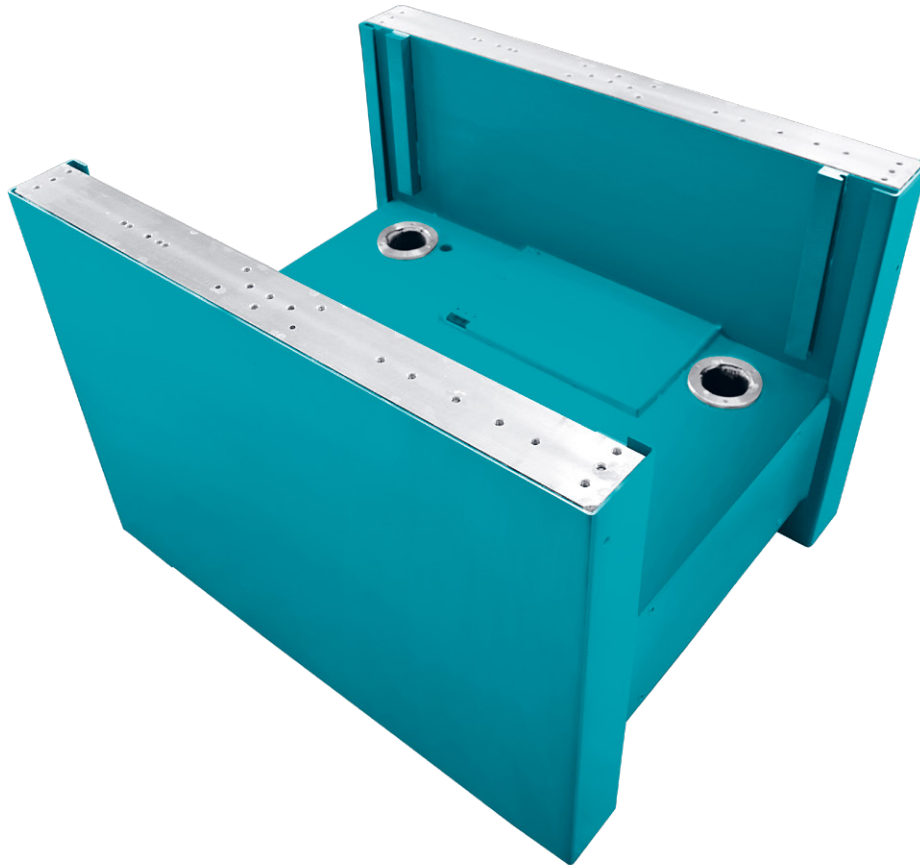


Thin board. Planed, not drilled.

As the world's only manufacturer MARTIN offers the possibility of planing wood and even plastics down to 1.5 mm residual thicknesses. The freedom from impact on infeed and discharge is especially impressive. This option should be especially popular among those who have to perform "fine" planing work. Along with specialists, such as instrument or model builders this is increasingly also just average carpenters.



Robust, solid and durable construction.



Robust and stable, the composite frames.

The machine frame of the T45 is a stable, thick walled composite structure, that is only found in MARTIN products to this standard and perfection. Already back in the 1920s Otto Martin invented and registered this design. Today, after 95 years of continuous improvement, this simple yet good principle is still being used for the frames at MARTIN. The smart combination of steel and concrete creates a high quality frame unequalled in terms of stability, damping capacity and torsional stiffness. The vibrations that occur in any planer are absorbed much more effectively than in cast iron frames or welded structures. These stands are the perfect base for your perfect work!



The unique construction of the MARTIN composite frames leads to incomparable stability.

Special accessories for plastic processing.

Vacuuming and more for perfect planing of plastics.

MARTIN also offers an extensive range of accessories for the processing of plastics. Along with the vacuum table, which offers decisive benefits especially for the processing of thinner and thinnest materials, an anti-static configuration or special cutterblock geometries can also be supplied, for example. Talk to us about your application and we can offer you the perfect solution.

With its ground surface the vacuum table and both its vacuum chambers offer the ideal conditions for impact-free planing of thinner and thinnest workpieces. The vacuum working in the area of the cutter block prevents the peeling away of the workpieces in the cutter block, residual thicknesses down to just 1.5 mm are possible. Ideally the vacuum table can be combined with our vacuum fan and the continuous feed. This creates the perfect conditions for freedom from impacts and the cleanest surfaces.



T45 with vacuum table and fan
T4552 and T4560

Cleverly combined.

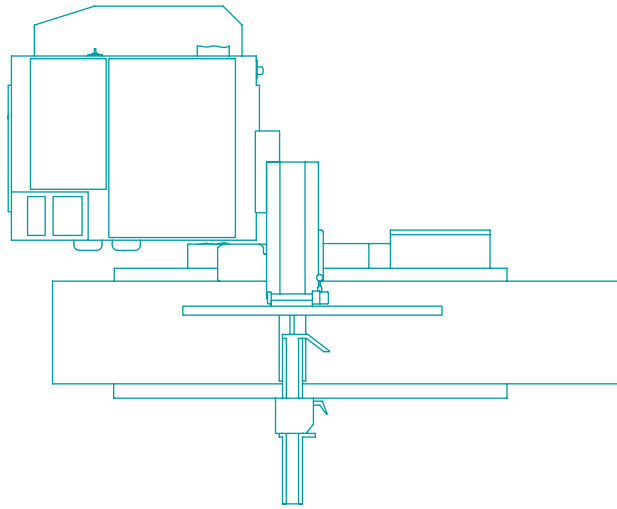
T45 and T54: Two singles – a perfect pair.

With the T54 surface planer and the T45 thickness planer you have two specialists who complement each other perfectly. Each of the two machines is designed for uncompromising fulfilment of their roles and ensures optimum working results. Each of the required machines is available immediately and without time-consuming conversions, and thanks to the space-saving installation both machines together hardly require any more space than a combi machine.

Also in contrast to the combi machine both machines can be operated in parallel without any restrictions. Extraction can be optionally connected to all T45 machines, depending on production environment, right or left, without restricting material and work flow in your facility.

With the duo we open up unique possibilities to you, which go far beyond the previously known combinations. Extensive accessories and equipment are available for both machines. So it's really easy to perfectly adapt the machines to your respective requirements.

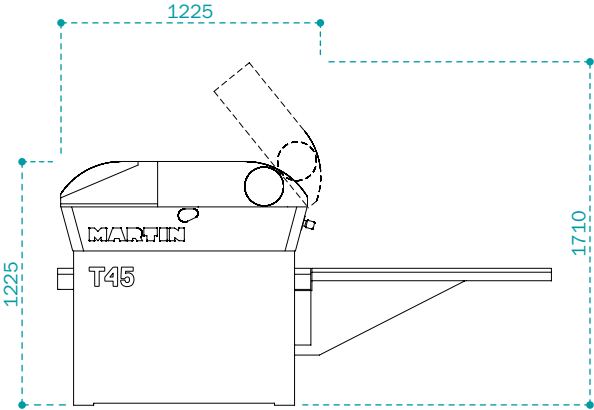




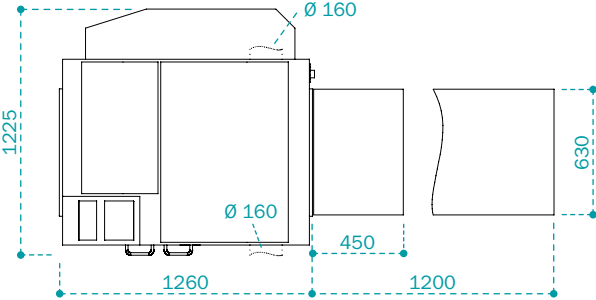
Combined installation T45 and T54 | Plan view



T45 Thickness planer

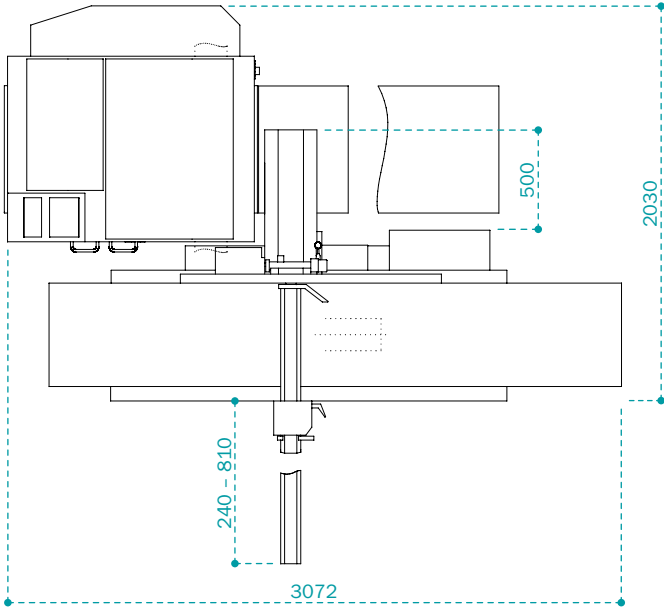


T45 | Side view



T45 | Plan view

T45 and T54 combined



Combined installation T45 and T54 | Plan view

Technical data

	T54	T45	T45 Contour ¹⁵	T45 Contour ²⁵
Motor power optional	5.5 kW –	5.5 kW 7.5 kW 11.0 kW	7.5 kW 11.0 kW	7.5 kW 11.0 kW
Cutter block speed optional	5,000 rpm 6,000 rpm	5,000 rpm 6,000 rpm	5,000 rpm 6,000 rpm	5,000 rpm 6,000 rpm
Cutter block optional	TERSA Z2 Xplane	TERSA Z4 Xplane	TERSA Z4 plus 2 grooves for profile cutter	TERSA Z4 plus 2 grooves for profile cutter
Cutter block diameter	125 mm	125 mm	125 mm	125 mm
Planing height	–	2.8 – 300 mm	2.8 – 300 mm	2.8 – 300 mm
Planing width	500 mm	630 mm	630 mm	630 mm
Chip removal	max. 8 mm	max. 12 mm	max. 12 mm	max. 5 mm
Control	none	Single axle control	Single axle control	Single axle control
Feed optional	– –	6 12 m/min continuous	6 12 m/min continuous	6 12 m/min continuous
Profiling depth	–	–	max. 15.5 mm	max. 25 mm
Extraction connection	160 mm	160 mm	160 mm	160 mm
Weight	approx. 1,200 kg	approx. 1,350 – 1,500 kg	approx. 1,350 – 1,500 kg	approx. 1,350 – 1,500 kg

The machines generate very little dust as per BGI 739-1 Annex 1.

All dimensions in millimetres. Manufactured in Germany.

Dimensions and specifications subject to technical innovation and may be changed without notice.

Illustrations may differ from the original. The binding technical features and equipment are given in the applicable price list.

Visit us at:

Website



Facebook



YouTube



Brochure



Contact us at:

+49 (0) 8332 911 - 0

sales@martin.info

MARTIN