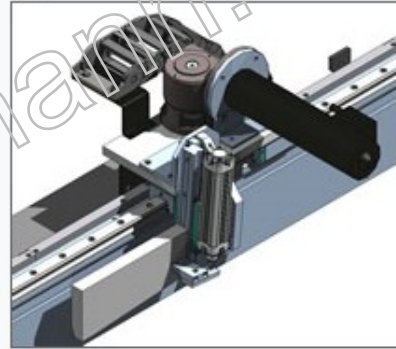
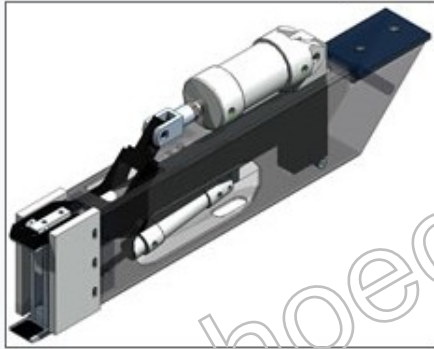




Flexible angular plant to cut and move easily 130 mm stacks, to double productivity respect to a monoblade but keeping the flexibility of two independent machines (especially in case of small lots or contemporary strips cut and postforming/pre-edged cross cut)



www.hoechsmann.com

**Specifications common to all models:**

Cutting length	1500 ÷ 5700 mm
Useful cutting height	108 ÷ 135 mm
Main blade motor	15 ÷ 25 hp - 11,25 ÷ 18 Kw
Main blade RPM	3500 ÷ 4500 giri/min
Main blade diameter/hole (bore)	350 ÷ 470/75 mm
Scoring blade RPM	5600 ÷ 6200 giri/min
Scoring blade diameter/hole	160 ÷ 320/55 mm
Saw-carriage forward speed	3 ÷ 70 m/min
Saw-carriage return speed	40 ÷ 120 m/min
Pusher speed	2 ÷ 40 m/min
Pusher return speed	40 ÷ 80 m/min
Dust extraction outlets	4 ÷ 7 @ 150 mm
Compressed air pressure	6 ÷ 7 bar
Compressed air consumption	20 ÷ 100 l/min
Dust extraction	4000 ÷ 11000 m <sup>3</sup> /h - 2500 N/m <sup>2</sup>
Weight	5000 ÷ 20000 Kg

www.hoechsmann.com