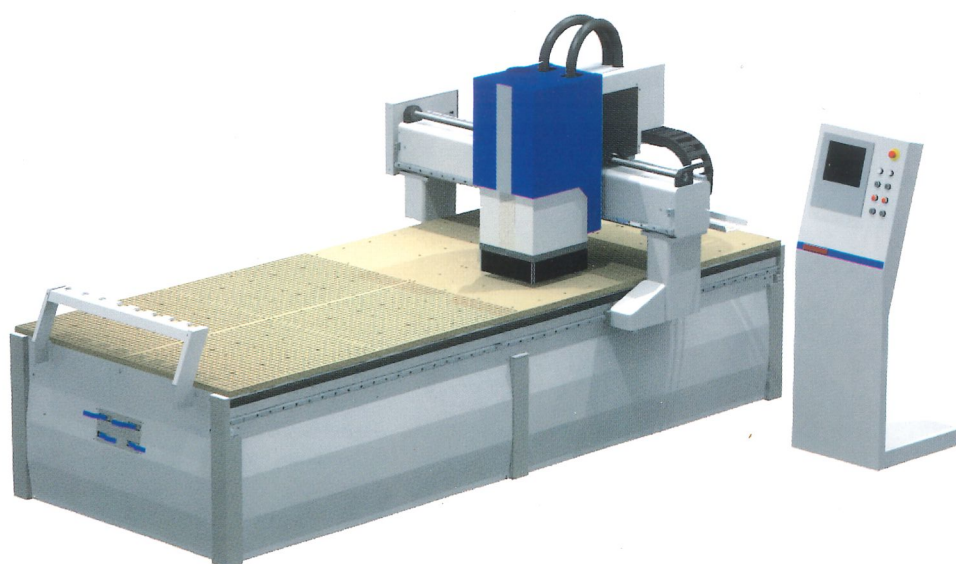
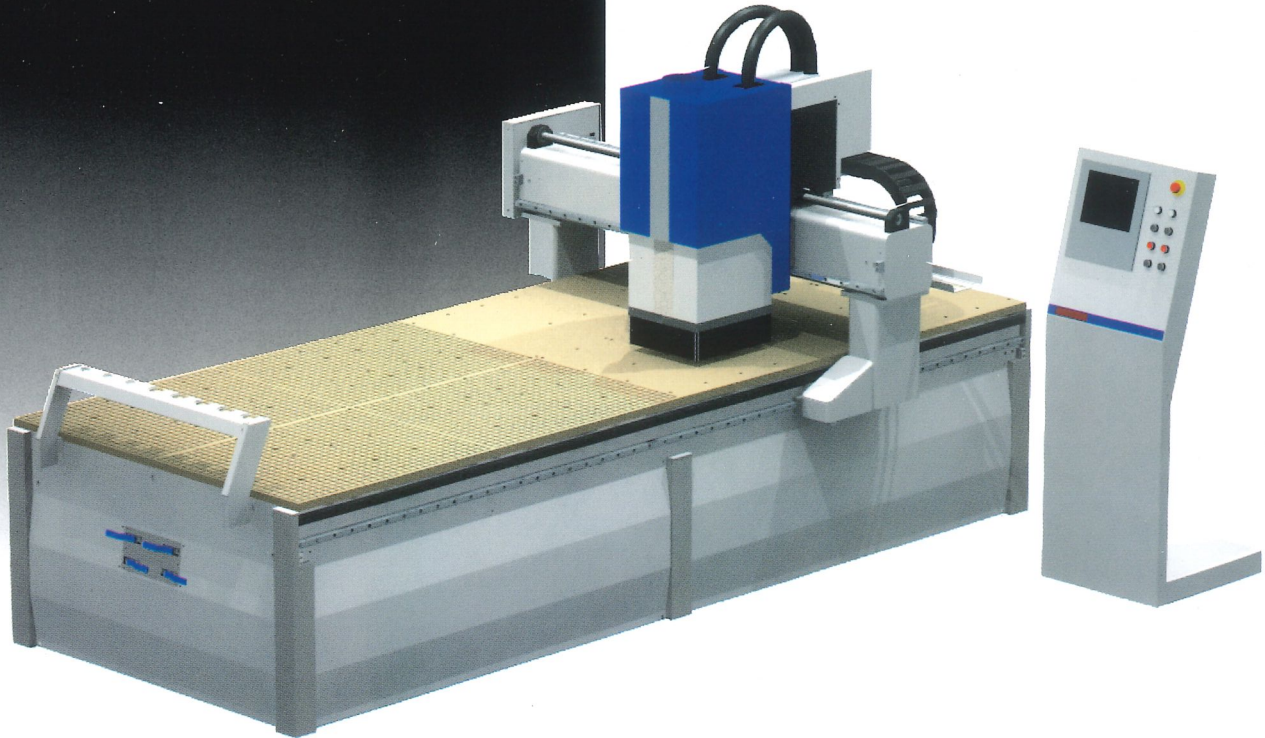


CNC5000



MORETENS

CNC5000



- Industrial controller
- Digital servo amplifier for increased efficiency and less vibrations
- Connection for PC and ready for CAM software
- Bridge design for better stability
- The bridge is driven on both sides for increased speed
- Vacuum pads can freely be placed on the table
- We offer custom designs

The CNC 5000

The new CNC5000 machine is a new generation of CNC machine to fit in most workshops for the small joinery shop to the larger industrial units.

The CNC 5000 can be used on wood, plastic, and aluminium making it versatile for many industries. Because of the way the CNC5000 has been designed it can be customised very easily to accommodate the customer's requirements not only in size but in tool capacity and program capability at a very reasonable cost.

The programming of the CNC5000 is with standard G-code and complies with ISO 6983, this will allow most cad-cam software packages to be used in 2D and 3D.

The software and hardware for the control system is supported by a large multi national company with offices in the UK. The machine has a built in USB (Universal Serial bus) plug which allows it to be connected to the internet where a computer can interrogate the machine from any remote location.

Working Tables

Vacuum table for boards

The table is built in eight sections, every section is controlled by a valve in every section there are eight vacuum nozzles (total of sixty four) which are sealed with the work piece and

rubber sealing strips in the grooved table. This allows for either one large sheet to be held down or several smaller irregular shaped pieces to be held down.

Vacuum pads for vacuum table

Combine the vacuum table with special vacuum pads for better edge (side) machining.

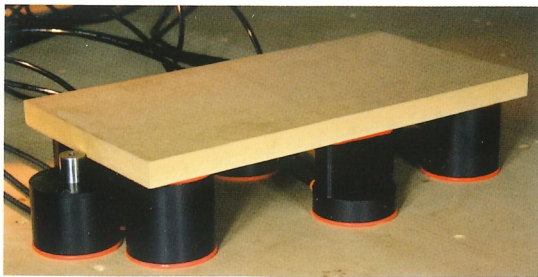
Table for vacuum pads

This is a plain table to allow various sizes and shapes of vacuum pads to be used to support the work pieces. The pads can be connected with two hoses, one for the bottom to lock to the table and one for the top to hold down the work pieces, and you can add stoppers as required. The machine can connect thirty pads and stoppers as standard. For repeat work the pads and stoppers can be pinned to the table for easy positioning.

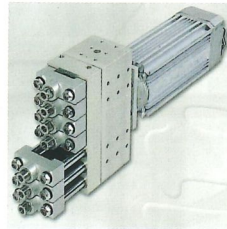
The tables are manufactured from MDF sitting on a steel frame table, and when the MDF needs replacing the machine can cut its own tables.

Spindle Motor

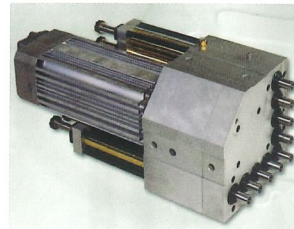
There is a choice between size, type and number but as standard a motor is fitted with tool change to fit either ISO:30 or HSK:63 collets. The spindle is driven by a frequency inverter with a speed range of 300-18000 rpm (With option of 300-24000 rpm)



Vacuum pads



Multi drilling box
7 spindels



Multi drilling box 9 spindels
with angle



Aggregate (90
degrees) for
saw blade drill
or router bit

Accessories

4-axes, 0 and 90 degrees, two positions

4-axes, 0 - 360 degrees

CAM software

Vacuum pads for vacuum table

Vacuum pads for plain table

Spindle motors

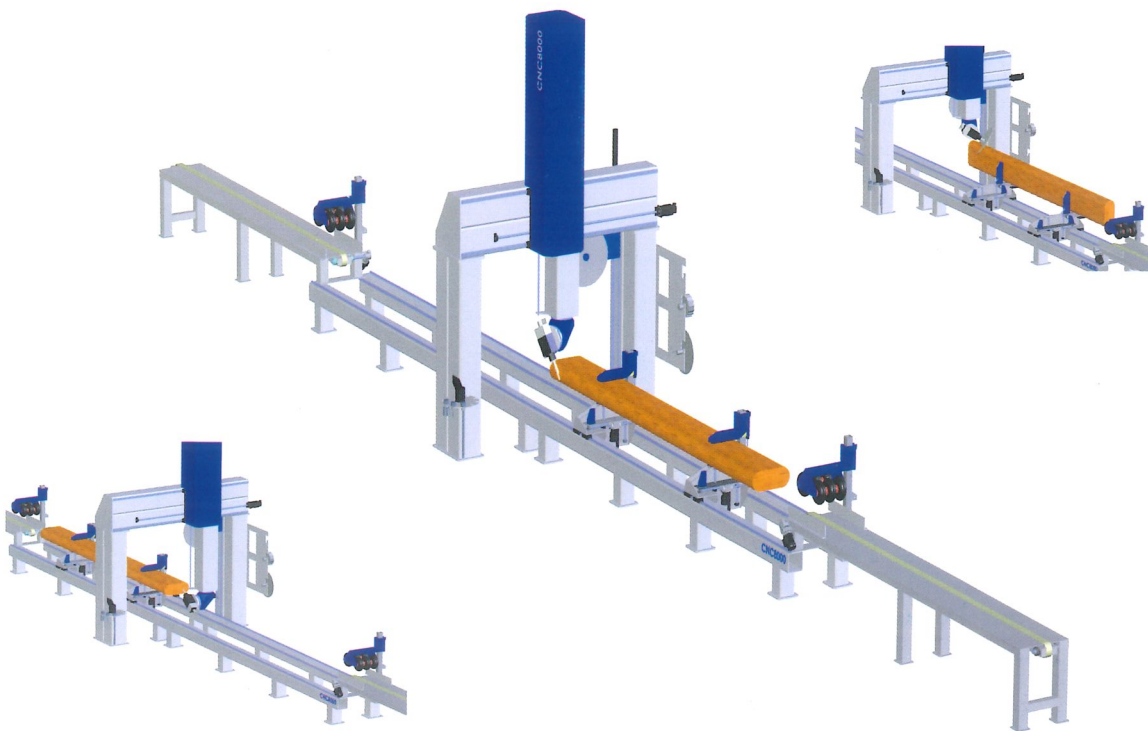
Multi drilling box

Aggregate (90 degrees) for saw blade drill or router bit

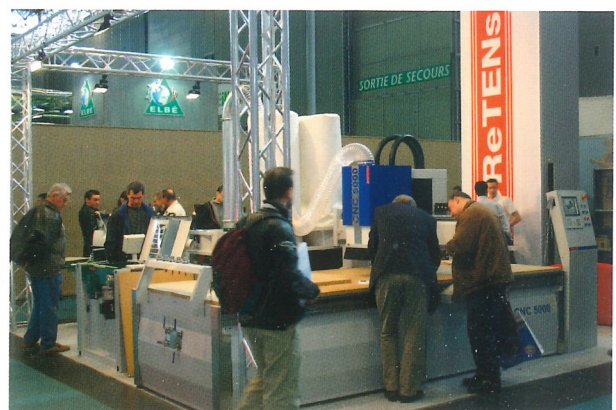
Tool shift rotation

CNC 8000

The CNC 8000 is an example of the custom design machines we can offer.
The machine is a 6 axes machine and would suit timber house builders.



CNC 5000 at
major european
convention in
Paris



Technical data

	Option	Option	Standard	Option	Option
Working area					
X-axes	1250 mm	2200 mm	3000 mm	4000 mm	6000 mm
Y-axes		1250 mm	1500 mm	2000 mm	3000 mm
Z-axes			200 mm	400 mm	600 mm
Speed					
X-axes			60 m/min		
Y-axes			30 m/min		
X-axes			15 m/min		
Spindle motor					
Power		6 kW	8kW	12 kW	
Chuck		ISO30	HSK63		
Max spindle speed			18000 rpm	24000 rpm	
Tool shift, fixed places			10 tools		
Tool shift, rotation				10 tools	
Vacuum pump, power			4,0 kW		
Vacuum pump, capacity			126 m³/h	250 m³/h	
Total length			4000 mm		
Total width			2150 mm		
Total height			2200 mm		
Weight			approx 3 000 kg		

Innovative woodworking machinery

MOReTENS have been manufacturing woodworking machinery in Sweden for over 25 years.

The CNC 8000 is an example of the custom design machines we can offer. The machine is a 6 axes machine and would suit timber house builders.



MOReTENS' Swedish manufacturing plant.
All the Moretens range is produced to the highest quality standards.

www.moretens.com

Made in Sweden

MOReTENS