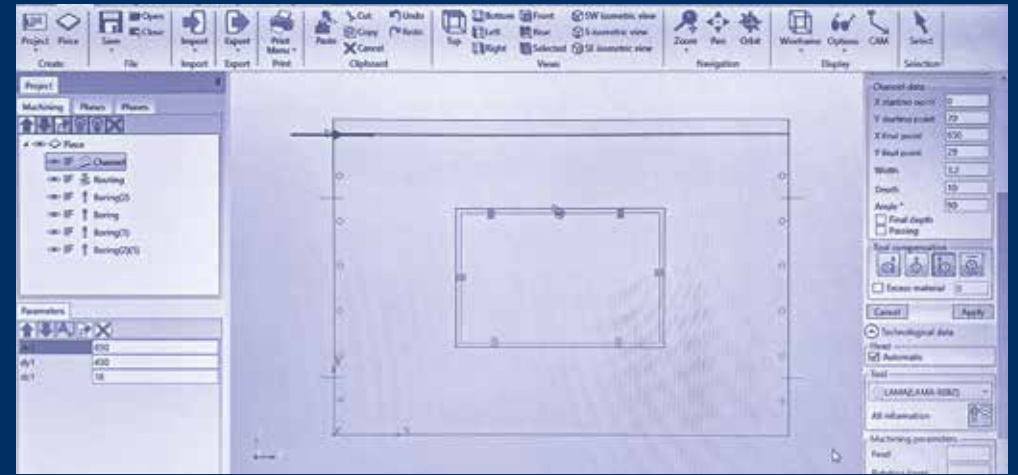
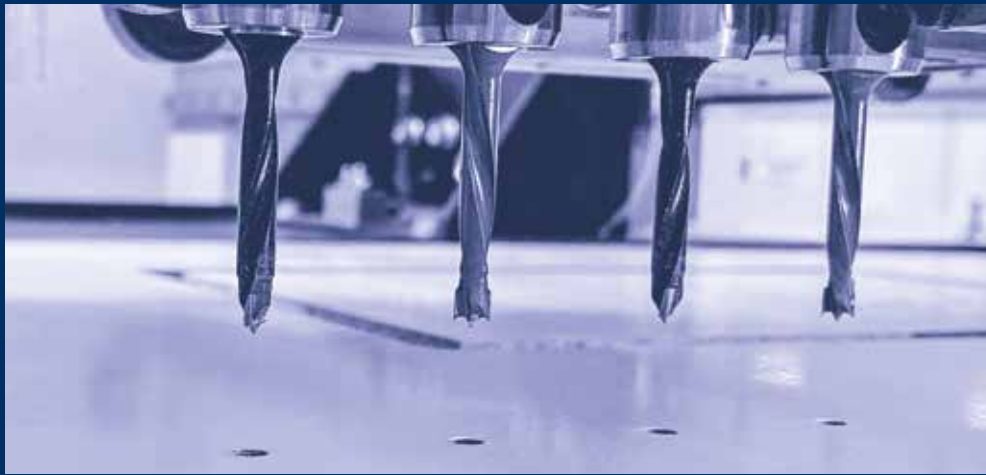


# startech *range*

drilling machines for the advanced joinery



# All “Made in SCM Italy”

*From casting iron to finished product.*

Come see our production plants and touch the quality of SCM machines;  
you will be our guest.



## Drilling machines for the advanced joinery.

SCM's objective is to guarantee customers high quality technologies which meet their requirements in such a way as to make SCM the partner for any needs.

# startech *range*

For all drilling requirement.

drilling machines	automatic
	manual

**startech cn plus**  
page 4



**startech cn v**  
page 5



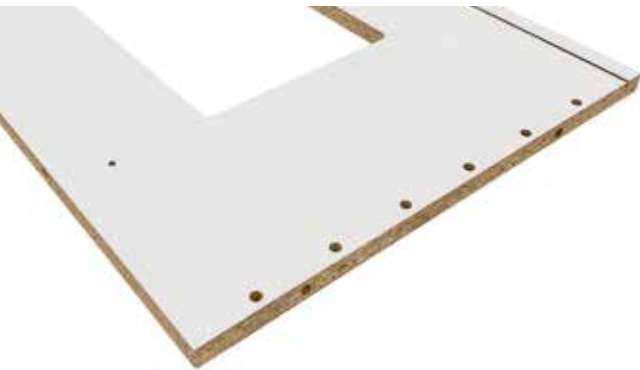
**startech 27**  
page 10



**startech 21**  
page 11



automatic  
drilling machines  
startech cn plus  
startech cn v

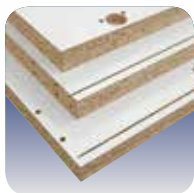


		startech cn plus	startech cn v
Maximum panel dimensions X-Y-Z	mm	3050 x 900 x 60	3000 x 900 x 50
Minimum panel dimensions X-Y-Z	mm	200 x 80 x 10	300 x 90 x 10
Maximum X-Y-Z axes speed	m/min	40/40/10	20
Vertical spindles	n.	8	7 (4X-4Y one of them is shared)
Horizontal spindles	n.	6	4
Spindles rotation speed	rpm	4200	4460

*Find the complete technical specification at page 9*



**Drilling from the Top**  
perfect finish



**Elements Production**  
versatility

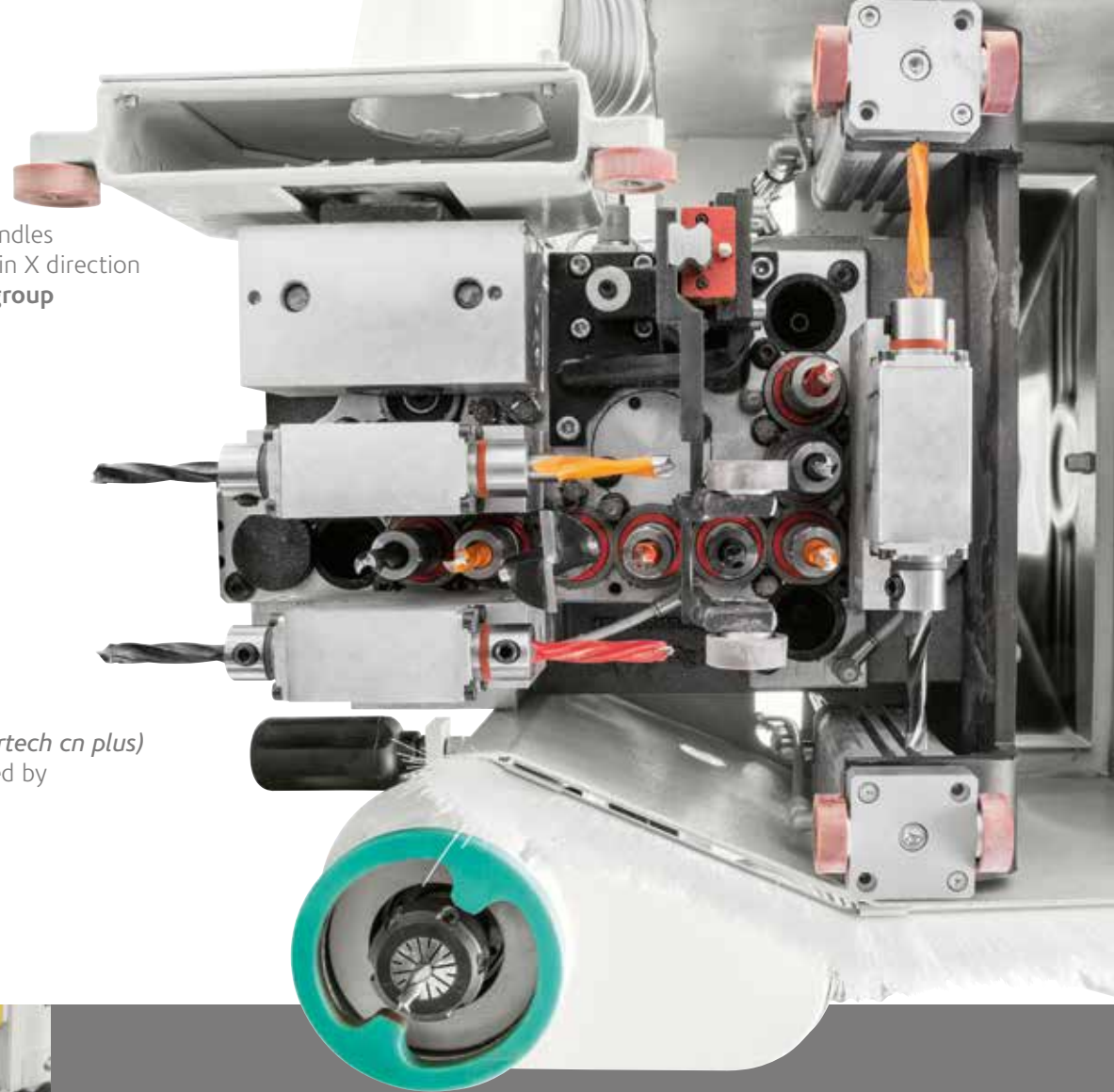


**Maestro Software**  
easy and intuitive

The numerical control universal drilling machines for woodworking shops and craftsmen.

# automatic drilling machines operating groups

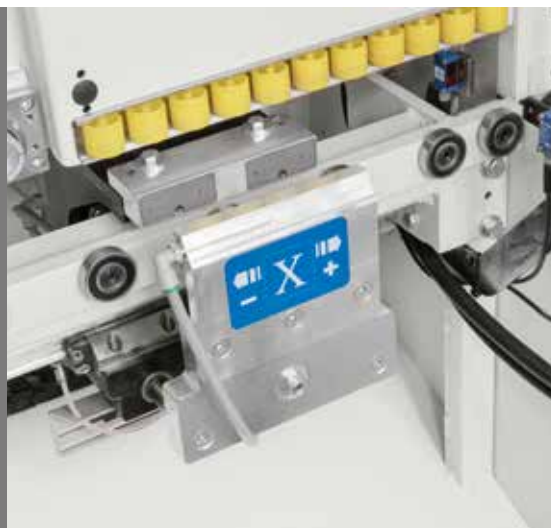
effective  
**Drilling head (startech cn plus)**  
With 14 independent spindles (8 vertical spindles and 6 horizontal spindles), integrated blade in X direction and possibility to add an **optional routing group with 5,5 kW motor power!**



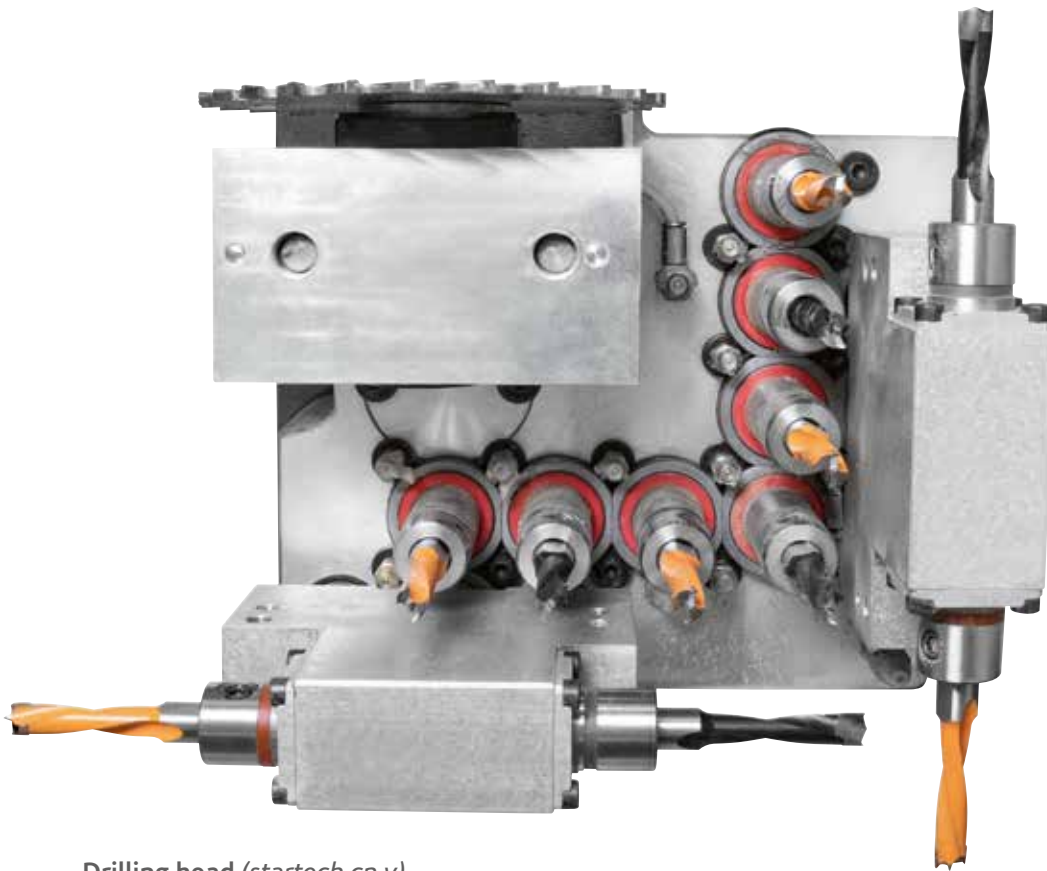
easy panels movement  
**Automatic side-alignment device (startech cn plus)**  
with pneumatic positioning and managed by the drilling-routing program.



guaranteed reliability  
**Mobile clamp with floating opening**  
Optimal piece stability and high working quality.

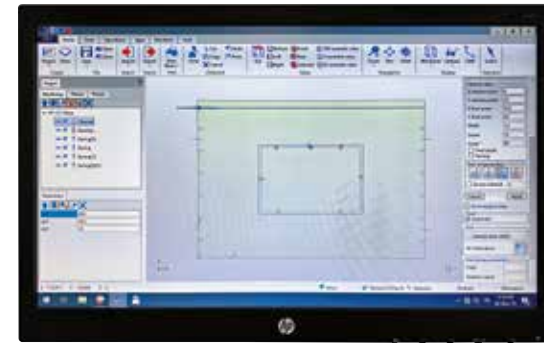


**Drilling from the Top**  
The drilling head positioned above the panel allows an accurate machining which can be verified in the cabinet assembly phase: the system uses the outside of the panel (in sight) as a reference and thus **any differences in thickness are always on the inside of the cabinet (non in sight)**. Furthermore, the positioning of the drilling head upper the working chips and dust grants a better cleaning and a reduced maintenance.

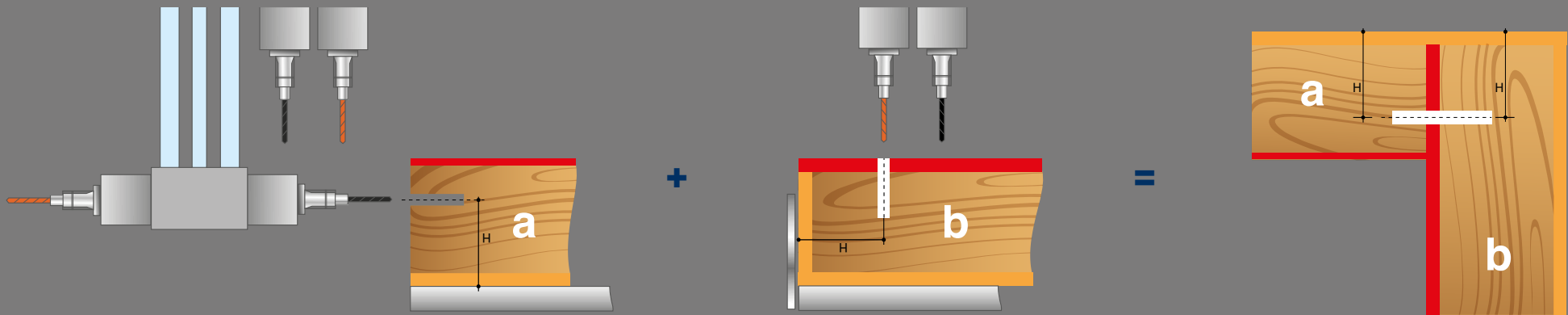


**Drilling head (startech cn v)**  
With 11 independent spindles and integrated blade in X direction.

easy and intuitive  
PC with integrated software  
(startech cn plus)  
The SCM "Maestro cnc" software allows  
to create projects and geometrical  
drawings to be automatically  
converted in drilling-routing programs  
for the machine.



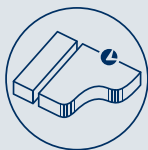
**Numerical control**  
(startech cn v)  
NC 10" colour touch-screen display  
and self-diagnosis and signalling  
system of errors or damages.  
Head tooling and machining cycle  
programming without using any  
mouse or keyboard and with  
automatic optimization.



# automatic drilling machines main optional devices

**Maestro**  
cnc

Expand your creativity



**scm**  
woodworking technology



Possibility to import and export the drilling programs, even when created with a CAD/CAM software in the office, through USB key (post processor not included).  
*(standard on startech cn plus)*

**Removable side supports**  
to adjust and support long work-pieces.  
*(startech cn plus)*



**Automatic centralized lubrication**  
managed by the control.

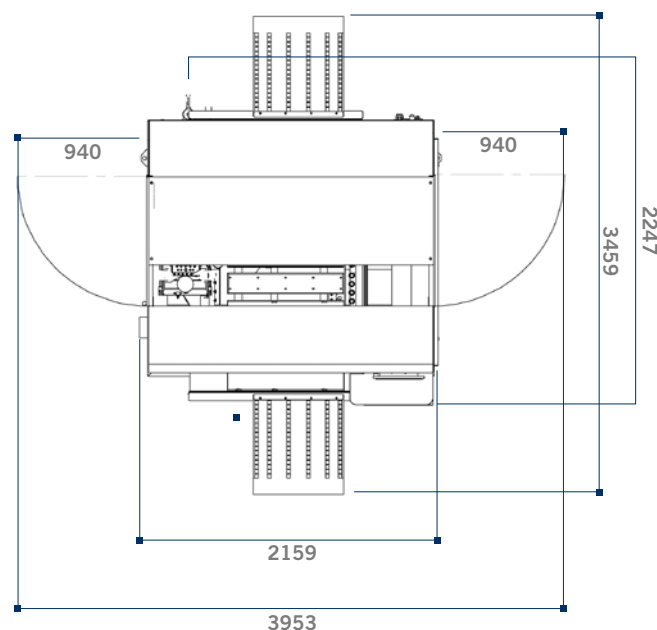
**Barcode reader**  
With a simple "click" of the barcode reader, it is very rapid and simple to recall drilling program, correctly stored in the machine control.



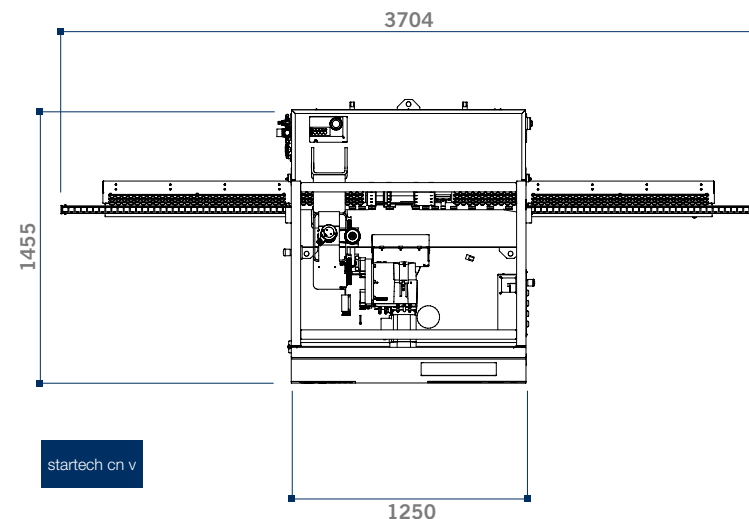


# automatic drilling machines technical data

startech cn plus



startech cn v



## TECHNICAL DATA

		startech cn plus	startech cn v
Min. ÷ max. panel length	mm	200 ÷ 3050	300 ÷ 3000
Min. ÷ max. panel width	mm	80 ÷ 900	90 ÷ 900
Min. ÷ max. panel thickness	mm	10 ÷ 60	10 ÷ 50
Max. X-axis speed	m/min	40	20
Max. Y-axis speed	m/min	40	20
<b>drilling head</b>			
Vertical spindles	n.	8	7 (4X-4Y one of them is shared)
Horizontal spindles	n.	6	4
Motor power	kW (hp)	2,2 (3)	2,2 (3)
Spindles rotation speed	rpm	4200	4460
Fixed integrated disc cutter	direction	X	X
Max. diameter disc cutter	mm	125	125
Disc cutter rotation speed	rpm	5500	5700
<b>electrospindle</b>			
Motor power	kW (hp)	5,5 (6)	-
Min. ÷ max. speed	rpm	1000 ÷ 18000	-
Tool changer		manual	-
Max. tool diameter	mm	20	-
<b>other technical features</b>			
Compressed air consumption	Nl/min	50	90
Extraction air consumption	m <sup>3</sup> /h	1900+540+1200 (+540 for R version)	820
Exhaust air speed	m/sec	30	20
Installed motor power (minimum)	KVA	15,2 (20,7 for R version)	4,5
Exhaust hood diameter	mm	150+120+80 (+80 for R version)	120

manual  
drilling  
machines  
startech 27  
startech 21



		startech 27	startech 21
Spindles	n.	27	21
Worktable dimensions	mm	1096 x 407	905 x 372
Max. panel width under the "beam" structure	mm	1025	833
Max. tool diameter	mm	40	40
Min. ÷ max. panel thickness	mm	10 ÷ 85	10 ÷ 85
Spindles rotation speed	rpm	2800	2800

*Find the complete technical specification at page 15*



**Drilling Head**  
perfect finish



**Cleaning System**  
highly effective



**Hinges Groups**  
high-tech accessories

Excellence in manual drilling.

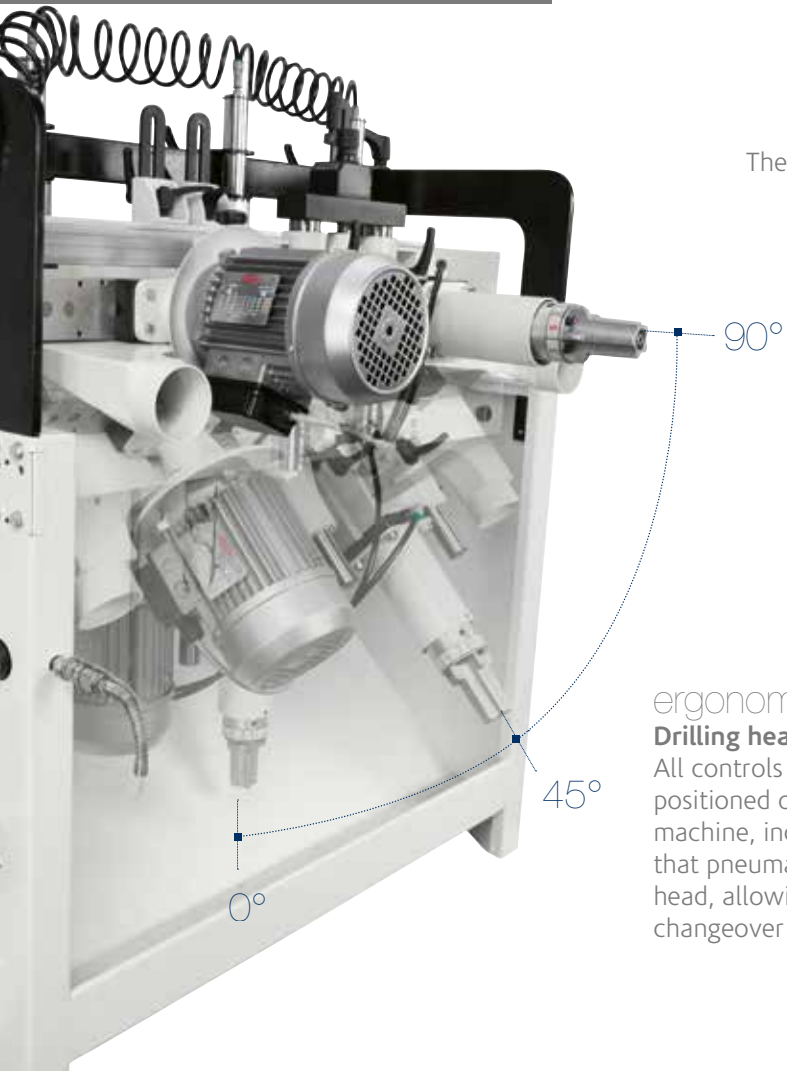
# manual drilling machines operating groups

## perfect drilling Drilling head

It is made from single-piece aluminium casting, to guarantee absence of vibrations. The drilling group runs on two rectified cylindrical guides which guarantee stability and accuracy. The dust extraction system is incredibly efficient.



The machine is equipped with a mechanical revolver with 5 different drilling depth adjustments.



## ergonomic Drilling head movement

All controls are ergonomically positioned on the front of the machine, including the switch that pneumatically tilt the drilling head, allowing an immediate changeover between operations.



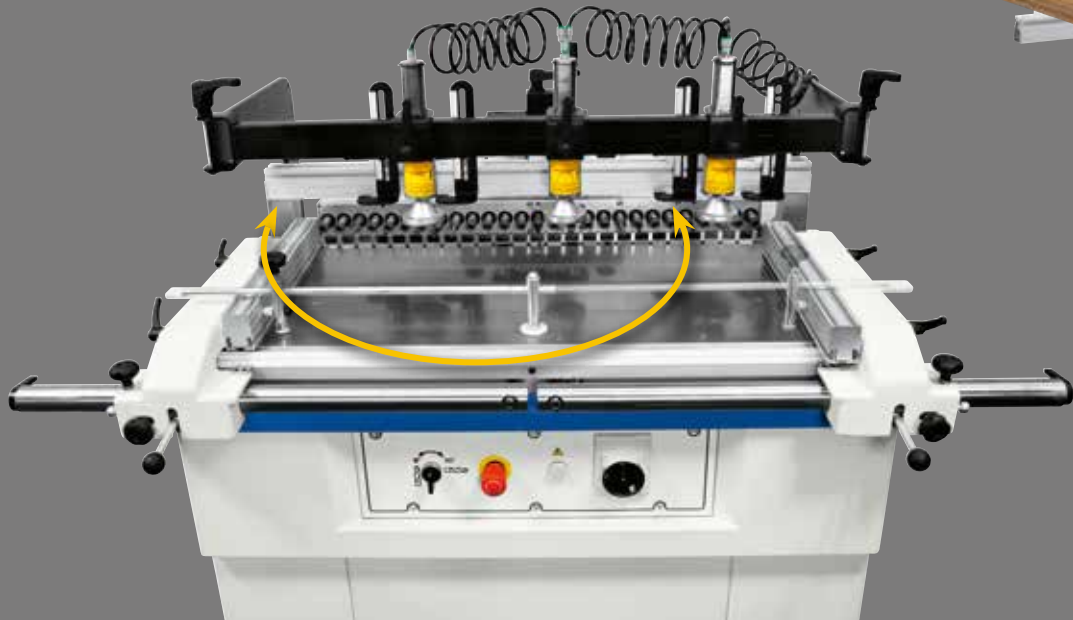
rapid set-up  
Spindles with  
quick-release fittings  
Bits replaced quickly and easily.



fast and precise positioning

### Mechanical gauge

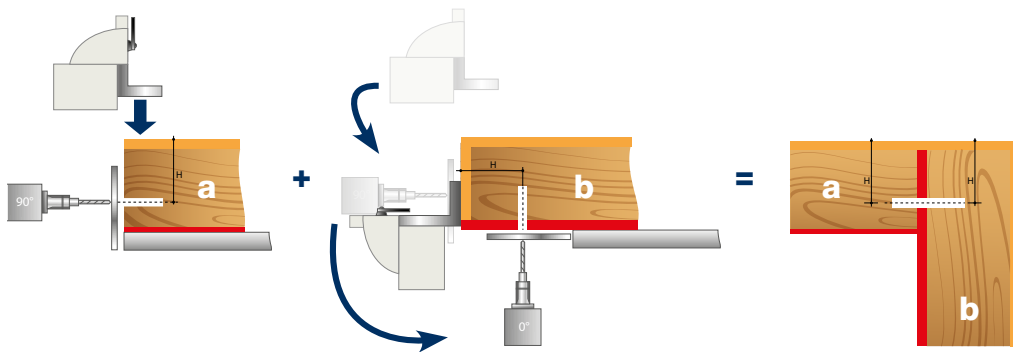
It guarantees fast and precise positioning of the lateral fences.



versatile, with many useful options, intelligent

### 3000 mm guide

For a perfect drilling even of large panels the machines are equipped with a 3000 mm length lateral guide, millimetered and with reversible stops, quickly installable/removed.



effective

### "Invisible" imperfections

The drilling concept of Startech machines allows to obtain an important advantage which can be verified in the cabinet assembly phase: the system uses the outside of the panel (in sight) as a reference and thus **any differences in thickness are always on the inside of the cabinet (non in sight).**

### Cast iron guides

with the nonius decimal scale and micrometric guides travel.



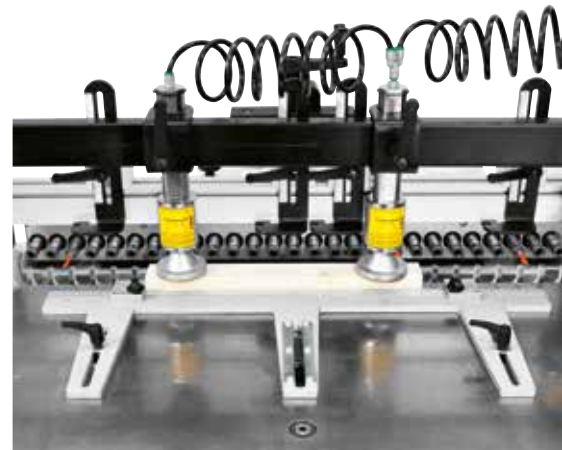
# manual drilling machines

main optional  
devices



**Guide for horizontal drilling at 45°**  
Simple and effective.

**Device for working narrow work-pieces**  
Easy-to-use.



**Groups for hinges**  
For increased versatility, the quick change chucks can be fitted with various types of bits for different operations, like drilling hinges locations.

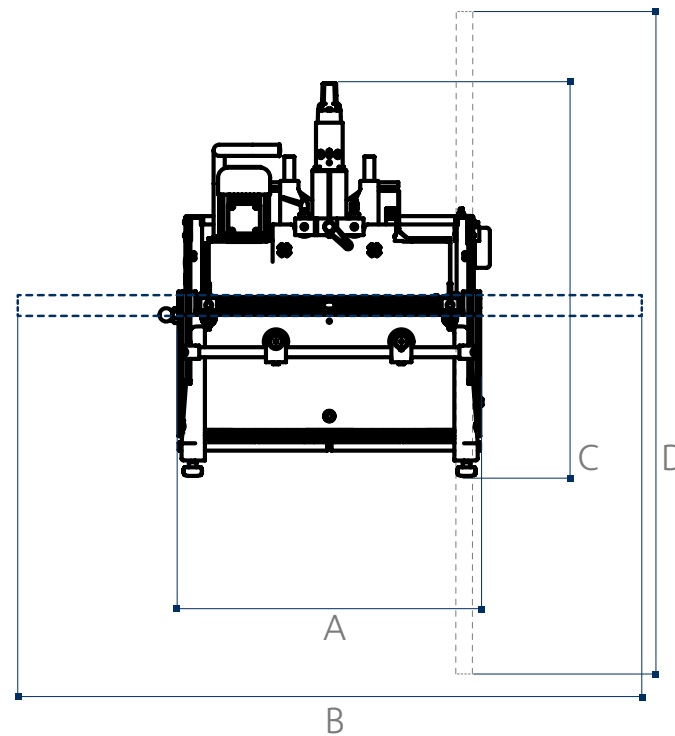


## MAIN OPTIONAL DEVICES

	startech 27	startech 21
Pneumatic movement of the drilling head	S	O
Servo-assisted drilling unit down stroke speed adjustment	O	O
Guide for horizontal drilling at 45°	O	O
Device for working narrow work-pieces	O	-
Groups for hinges	O	O

# manual drilling machines technical data

- S Standard
- O Option



OVERALL DIMENSIONS		startech 27	startech 21
A	mm	1500	1000
B	mm	3000	3000
C	mm	1260	1150
D	mm	3000	3000

TECHNICAL DATA		startech 27	startech 21
Worktable dimensions	mm	1096 x 407	905 x 372
Worktable height	mm	900	900
Spindles	n.	27	21
Spindles rotation speed (at 50 Hz)	rpm	2800	2800
Distance between spindles	mm	32	32
Maximum drilling inter-axis	mm	832	640
Maximum drilling head stroke	mm	70	70
Maximum horizontal drilling height	mm	60	60
Max. panel width under the "beam" structure	mm	1025	833
Min. ÷ max. panel thickness	mm	10 ÷ 85	10 ÷ 85
Max. tool diameter	mm	40	40
<b>other technical features</b>			
Three-phase motors 1,8 kW (2,5 hp) 50 Hz - 2,2 kW (3 hp) 60 Hz		S	S
Pneumatic system operating pressure	bar	6	6
Compressed air consumption	NI/cycle	3,5	3,5
Exhaust hood diameter:			
- at the base	mm	120	80
- on the drilling head	mm	2 x 80	2 x 80

PROMPT AND EXPERT  
TECHNICAL SUPPORT  
THROUGH A **NETWORK OF  
1000 TECHNICIANS AND AN  
INVENTORY OF 36,000  
SPARE PARTS.**

HIGHLY SPECIALISED TECHNICIANS, EFFICIENT  
MANAGEMENT AND 6 SPARE PARTS BRANCHES  
AROUND THE WORLD GUARANTEE A CLOSE,  
SAFE AND EFFECTIVE TECHNICAL SUPPORT.





## SERVICE

SCM provides a service that goes beyond the purchase, to guarantee the long term performance of your technological production system and peace of mind for your business.

### A COMPLETE RANGE OF AFTER-SALES SERVICES

- installation and start-up of machines, cells, lines and systems
- tailored training programs
- telephone support to reduce times and costs when machines are not working
- preventive maintenance programs to guarantee long term performance
- complete renovation of machines and plants to renew the added value of the investments
- custom upgrading to update machines and plants and meet new production requirements



## SPARE PARTS

SCM Group can count on 140 spare parts professionals worldwide to meet any request with real time shipments.



### 36,000 SPARE PARTS

Our spare parts inventory, with a value of 12 million euros, covers every single machine



### SPARE PARTS GUARANTEED

We guarantee also hard to find parts, with 3,5 million euros invested in "critical" spare parts.



### IMMEDIATE AVAILABILITY

Over 90% of orders received are carried out the same day thanks to the huge inventory available.



### 6 BRANCHES AROUND THE WORLD

The spare parts service can count on worldwide support (Rimini, Singapore, Shenzhen, Moscow, Atlanta, São Bento do Sul)



### 500 SHIPMENTS A DAY





# THE STRONGEST WOOD TECHNOLOGIES ARE IN OUR DNA

## SCM. A HERITAGE OF SKILLS IN A UNIQUE BRAND

Over 65 years of success gives SCM the centre stage in woodworking technology. This heritage results from bringing together the best know-how in machining and systems for wood-based manufacturing. SCM is present all over the world, brought to you by the widest distribution network in the industry.

65 years history

3 main production sites in Italy

300.000 square metres of production space

20.000 machines manufactured per year

90% export

20 foreign branches

400 agents and dealers

500 support technicians

500 registered patents



In SCM's DNA also strength and solidity of a great Group. The SCM Group is a world leader, manufacturing industrial equipment and components for machining the widest range of materials.

## SCM GROUP, A HIGHLY SKILLED TEAM EXPERT IN INDUSTRIAL MACHINES AND COMPONENTS

### INDUSTRIAL MACHINERY

Stand-alone machines, integrated systems and services dedicated to processing a wide range of materials.



WOODWORKING TECHNOLOGIES



TECHNOLOGIES FOR PROCESSING COMPOSITE MATERIALS, ALUMINIUM, PLASTIC, GLASS, STONE, METAL

### INDUSTRIAL COMPONENTS

Technological components for the Group's machines and systems, for those of third-parties and the machinery industry.



SPINDLES AND TECHNOLOGICAL COMPONENTS



ELECTRIC PANELS



METALWORK



CAST IRON



**SCM GROUP SPA**

via Casale 450 - 47826 Villa Verucchio, Rimini - Italy  
tel. +39 0541 674111 - fax +39 0541 674274  
scm@scmgroup.com  
www.scmwood.com



00L0590733A