

Postforming



postforming

processing

MODERN AND HIGH-PERFORMANCE POSTFORMED COMPONENTS

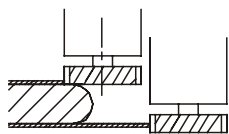
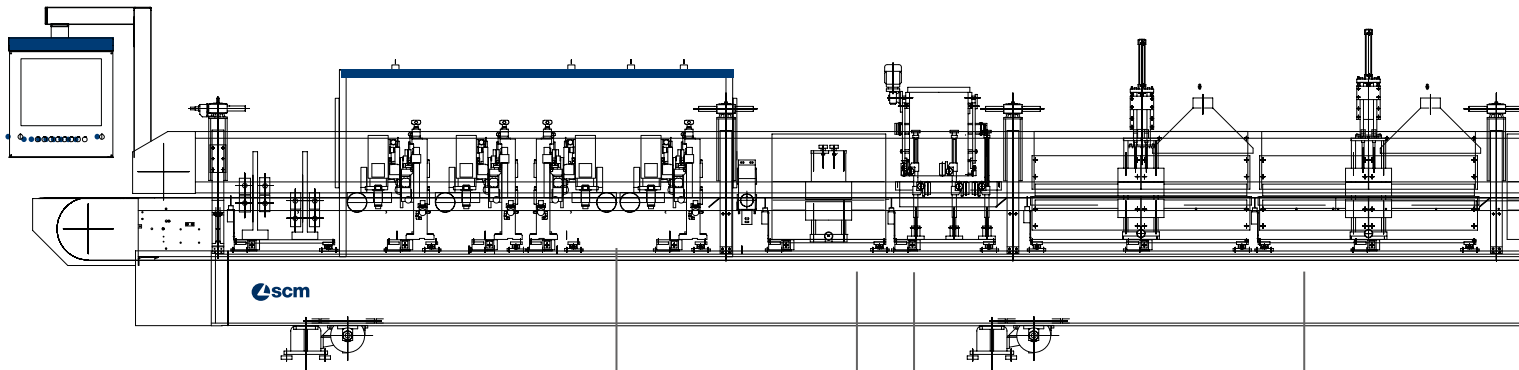
Modern materials and finishing, new and functional design. Thanks to the SCM postforming technology, small doors, doors and tops can be machined in any process condition with the highest quality of realization and high profitability in mass production.



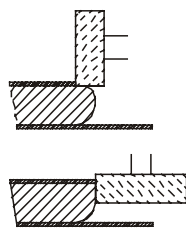


Endless possibilities

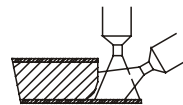
A complete catalog of postforming profiles are achievable with SCM edgebanders for postforming, thanks to the wide range of work units specifically developed to be installed in a modular and custom way on the various compositions.



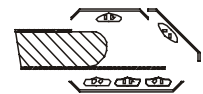
Station for laminate preparation



Station for glue application on flat surface

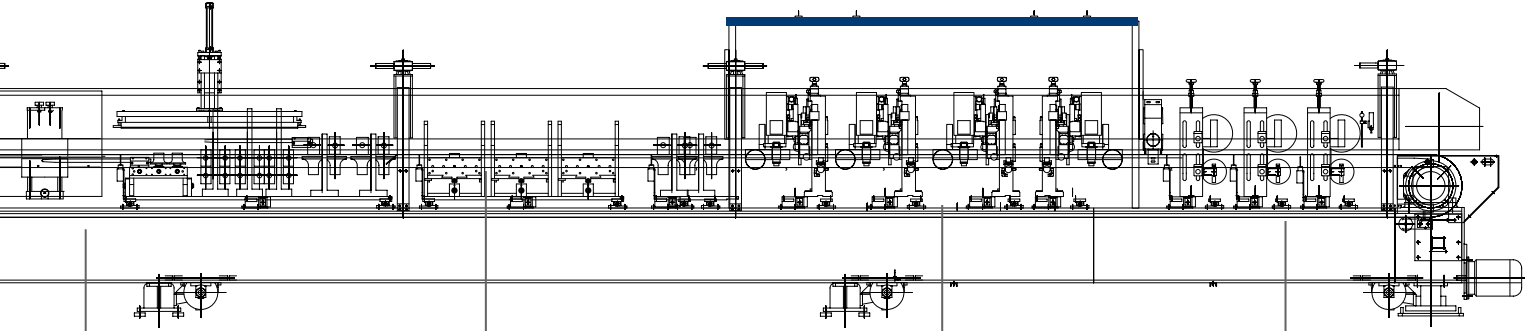


Station for glue application on a non-flat surface



Station for laminate softening





Glue heating lamp



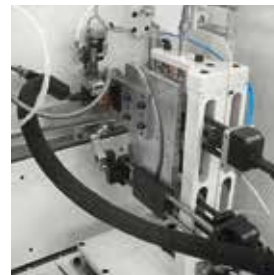
Station for laminate wrapping



Station for laminate finishing

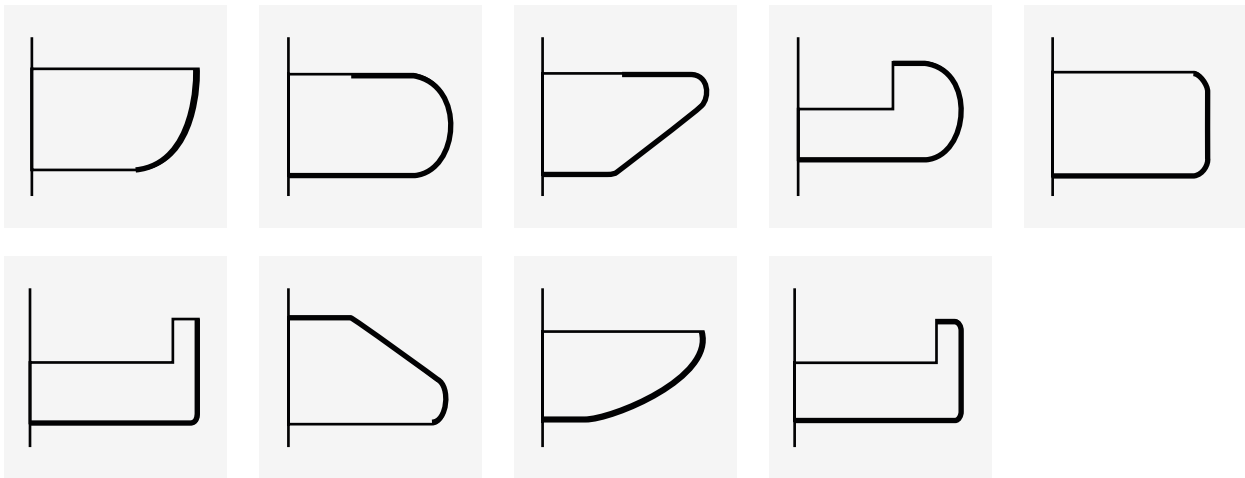


Station for joint sealing





Types of profiles



Technical data

Max laminate thickness	Rigid: 0.8 mm	Not rigid: 1.5-2 mm
Max panel thickness	Without drop edge extension: 45 mm	With drop edge extension: 80 mm
Panel width min/max	120/1200 mm	
Max panel speed	20-25 m/min	
Max laminate overhang from the working line	80 mm (opt 110 mm)	
Productivity	From 500 to 2000 panel/shift (depending on dimensions and weight of the processed component)	
Architecture	Manual loading, possibility to be integrated with automatic loading/unloading system	



SCM GROUP SPA

Via del Lavoro, 1/3 - PO Box 168 - 36016 Thiene (VI) - Italy
tel. +39 0445 359511 - fax +39 0445 359599
stefani@scmgroup.com
www.scmwood.com



00L0380766F