

 **TECNOMAX**



Automatic circular saws with tilting blade

S315 WS - S350 WS

TECNOMAX

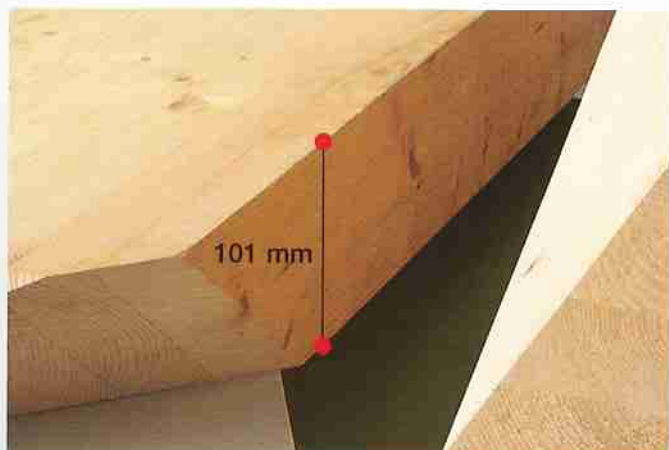
S315 WS

SINCERT



**New automatic circular saws with
titling blade S315 WS and S350 WS.
Reliable, suitable, sure. A daily
support for the wood industry**





Cutting height 101 mm

S315 WS

- > Cutting height 101 mm
- > Wagon strokes in anodized aluminium: 2600/3200mm
- > Scoring unit with independent motor
- > Motor power up to 7,5 HP



S315 WS in CE configuration

S350 WS

SINCERT



S350 WS

- > Cutting height 118 mm
- > Wagon strokes in anodized aluminium:
2600/3200 mm
- > Scoring unit with independent motor
- > Motor power up to 7,5 HP



Cutting height 118 mm



TECNOMAX



S350 WS - S315 WS

Sliding carriage

- > Top quality precision
- > Smooth, silent action
- > Long lasting accuracy

Unrivalled cutting quality and finish

The system for carriage sliding is on hardened, ground, prism guides, which allows precise, straight cutting. Lasting precision is guaranteed by the exclusive assembly process.



5-year guarantee!

No glue is used to secure the guides, since the thickness could affect sliding. They are secured with a procedure for aluminium riveting along the entire length of the guide.

Tilting blade unit on cast iron trunnions. 3 speeds are available on request. Thanks to perfect balancing of the rotating parts it is completely vibration free, enabling it to be used for cutting very thick solid wood. The scoring saw, with independent motor, can be adjusted from the outside without spanners and allows rapid, precise positioning.



The quality shows in the details

Panel squaring

Large squaring table with idle roller at the end to make panel loading easy. The telescopic squaring fence with reversible stops allows 3200x3200 mm panels to be squared and cuts at an angle of up to 45° on both sides of the table.

- Parallel cutting up to 1270 mm,
- Anodized aluminium fence with sliding system on round bar of 45 mm diameter.
- Cast iron support with eccentric locking device
- Micrometric rack adjustment.



The large saw table extension, guarantees perfect support for the workpiece after cutting.

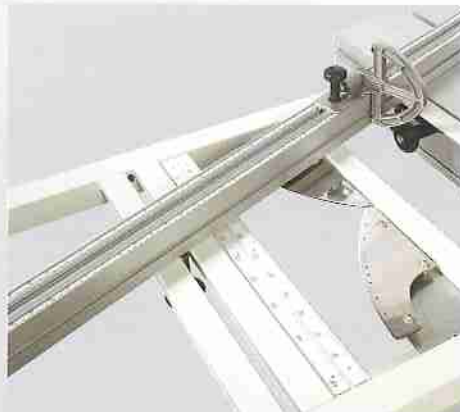


S350 WS - S315 WS

Options



Electric lifting Power rise and fall to the saw very useful in case of frequent working thickness changes.



Mitre device for squaring table. For rapidly finding the most common angles with the squaring fence. Useful for mitre cuts on large workpieces.



Independent mitre device. This dedicated device can be used to rapidly perform mitre cuts without moving the main squaring fence. Recommended for mitre cuts on small workpieces.



3 speeds for the saw blade 3500/4200/5000 r.p.m. Rapid speed change, with easy access from the main table.



Digital display for fence position for parallel cuts. Allows precise positioning thanks to the use of the magnetic strip sensor.



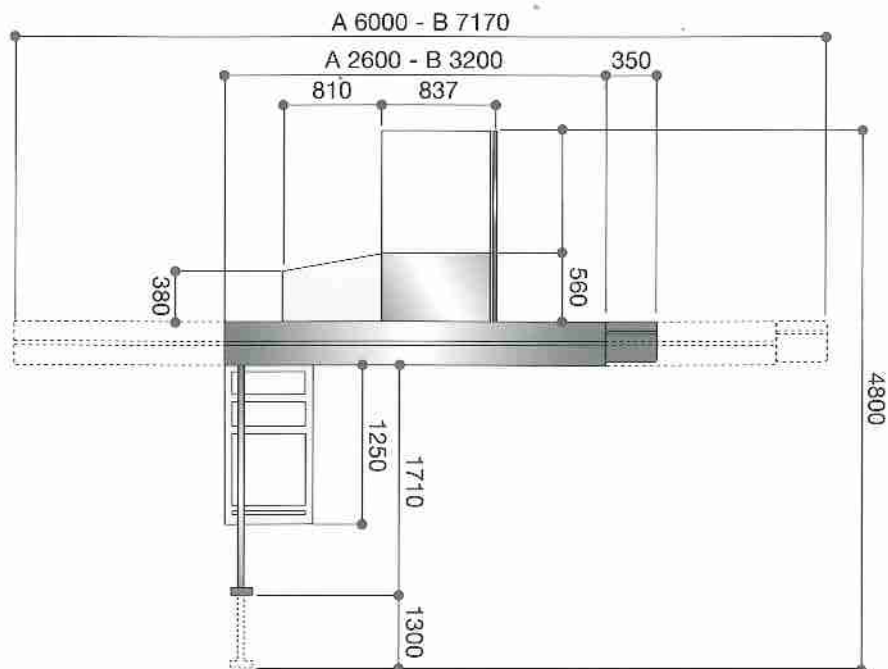
Overhead blade protection (standard on S350 WS in CE and Usa/Canada configuration)

		S315 WS	S350 WS
Cutting capacity with standard scoring saw	mm	2600 (8,5')	2600 (8,5')
Cutting capacity with optional scoring saw	mm	3200 (10,5')	3200 (10,5')
Fences stops for squaring cuts extendable to	mm	3200	3200
Fixed worktable dimensions	mm	940x560	940x560
Cutting width with rip fence	mm	1270	1270
Blade diameter	mm	315	350
Blade spindle diameter	mm	30	30
Maximum cutting height at 90/45°		101/70	118/81
Saw blade speed	r. p. m.	4200	4200
Scoring blade diameter	mm	120	120
Scoring blade speed	r. p. m.	9200	9200
Scoring spindle diameter	mm	20	20
Exhaust hood behind the base, diam.	mm	120	120
Upper guard diameter	mm	60	100
Main motor power	Kw (Hp)	4 (5,5)	4 (5,5)
Scoring motor power	Kw (Hp)	0,55 (0,75)	0,55 (0,75)
Base machine net weight	Kg	760	800

Options

Saw carriage stroke 3200mm, motorized lifting of the blade group, mitre cut unit for squaring cuts, independent mitre cut unit, 3 speeds for the saw blade, digital readout for parallel fence position, three-phase motor 5,5 kW (7,5 Hp) or single-phase motor 1,8 Kw (2,5 Hp), overhead saw guard (standard in S350 WS in configuration CE and Usa/Canada)

Dimensions S315 WS - S350 WS



A = carriage 2600 mm
B = carriage 3200 mm