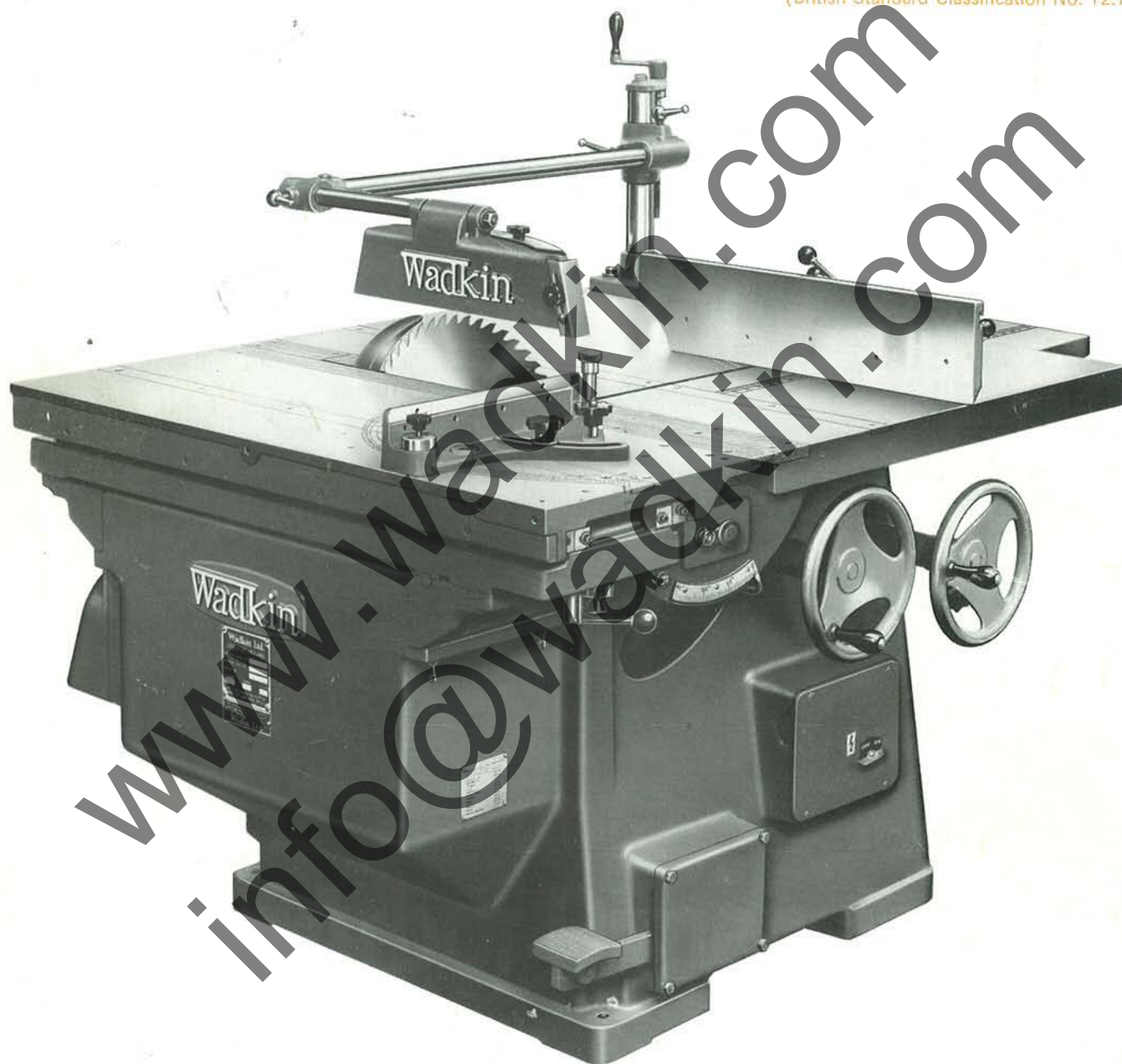


# Wadkin

## Tilting Arbor Dimension Saw

### 18in PP 450

(British Standard Classification No. 12.131.36)

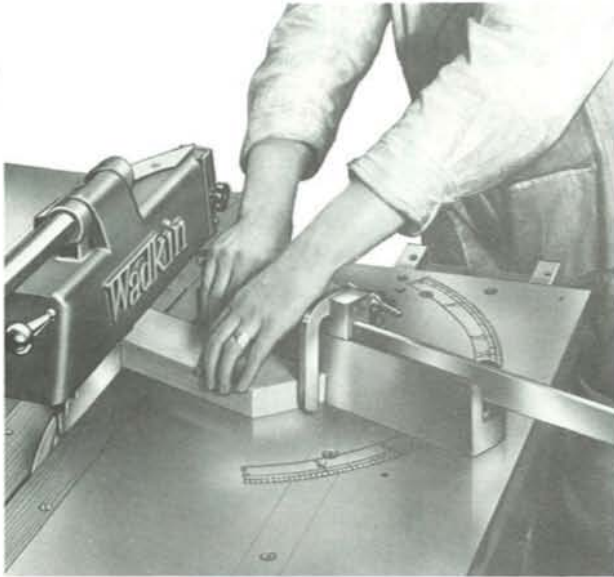


• A WELL ESTABLISHED AND WELL PROVEN MACHINE

LARGE CAPACITY • ROBUST • EXTREMELY ACCURATE

# The PP-Wadkin eng

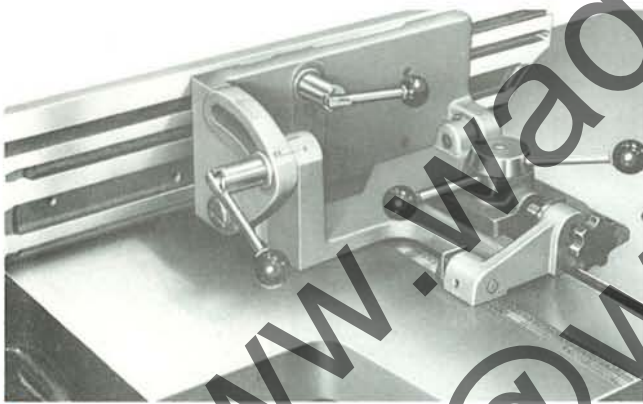
## Solid Wood Components



1



2



3

### 1 Adjustable Mitre Fence

The adjustable mitre fence with tapered plunger location ensures quick setting and absolute accuracy of the principal angles.

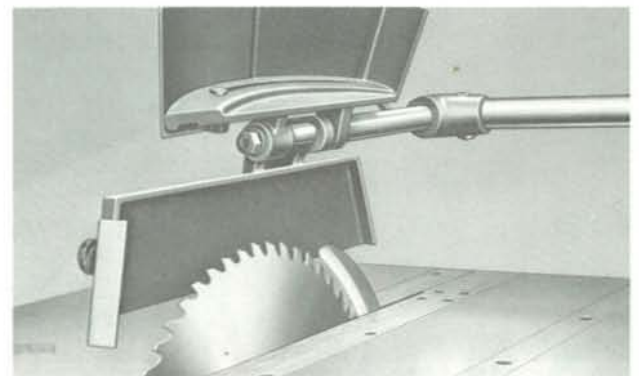
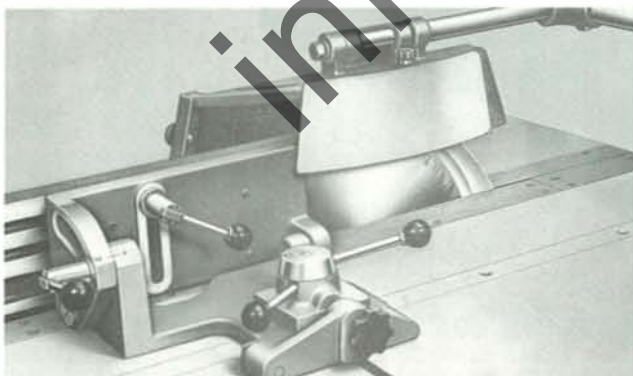
### 2 Adjustable Back Fence

An adjustable back fence can be supplied to convert the mitre fence for double mitre cutting.

### 3 Rip Fence Locking Mechanism

A time saving feature of the rip fence is the locking mechanism which not only locks but squares up the fence simultaneously. No spanner adjustments are necessary.

## The Saw Guard

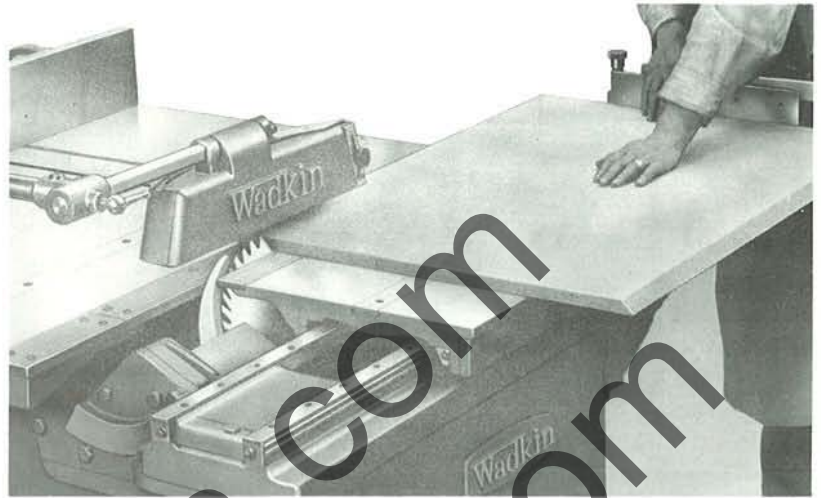
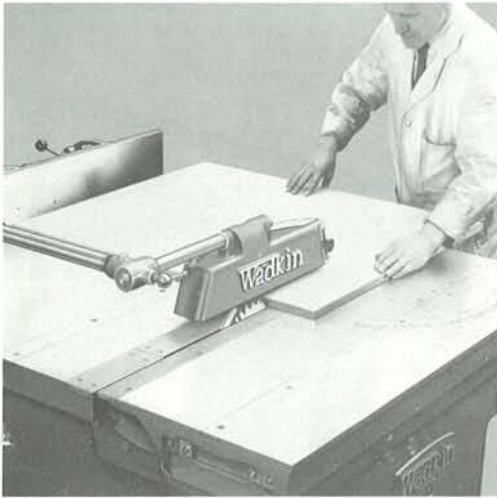


The saw guard has been designed to give maximum protection with quick and easy setting. The shape of the rear cover allows the saw to be canted to its maximum angle without canting the guard. It incorporates a sliding portion to permit the rip fence to be moved close up to the saw increasing the versatility of the machine. The riving knife is extremely rigid and automatically cants and rises and falls with the saw for maximum safety. The controls for the rise and fall and tilting of the saw are immediately accessible.



# Engineered for accuracy

## Panel Work



With a tilting rising and falling saw, and a table sliding smoothly on a ball bearing track, the PR is capable of all precision dimension sawing.

## The Sliding Table



The sliding table is of advanced design incorporating a line of ball bearings moving between hardened ground steel rods guaranteeing accuracy, long life, and exceptionally easy movement due to freedom from dust clogging.

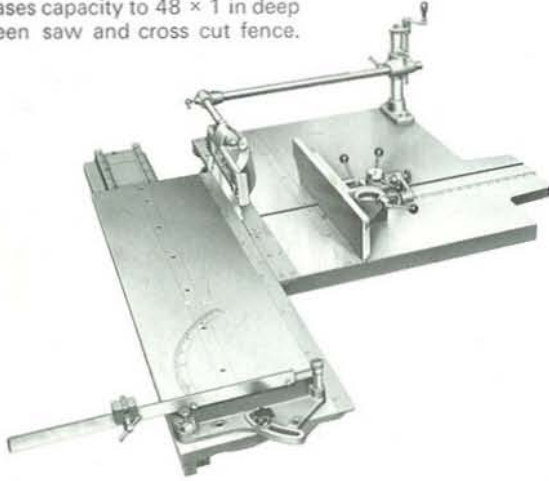
# TILTING ARBOR DIMENSION SAW

## 18in PP 450

### Alternative Tables for Increased Capacity

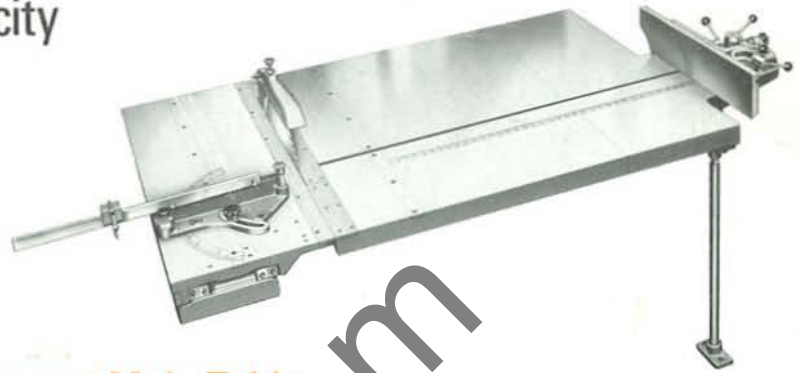
#### \* Longer Sliding Table

Increases capacity to 48" x 1" in deep between saw and cross cut fence.



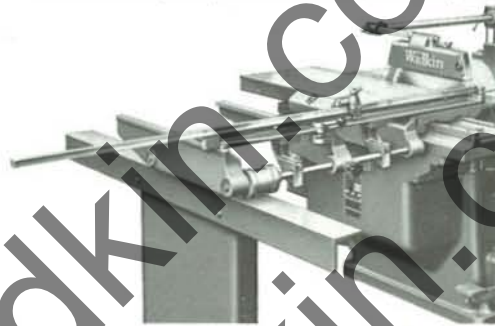
#### \* Larger Main Table

Increases capacity to 51" or alternatively 72" in between saw and ripping fence.



#### \* Extension Cross Cutting Table

Mounted on ball bearing rollers to admit up to 36" wide x 1" in deep x 72" in long to left of saw using fence and stop bar. This table has the great advantage in that the fence and stop bar on the sliding table hinges back, leaving the entire table top clear for ripping large sheets.



### Saw Spindle Brake

The brake on the saw spindle is interlocked to isolate the electric supply thus providing an important safety feature.

### Specification

Standard diameter of saw	18 in	450 mm
Maximum saw projection above table at 90°	5½ in	140 mm
Maximum saw projection above table at 45°	3⅝ in	100 mm
Maximum distance between saw and ripping fence on standard machine	30 in	760 mm
With large capacity tables	51 or 72 in	1300 or 1530 mm
Will cross cut on standard table with saw at 90°	5½ x 29½ in	140 x 750 mm
	4½ x 30 in	110 x 760 mm
	1 x 36 in	25 x 915 mm
	1 x 48 in	25 x 1220 mm
With longer sliding table	36 in	915 mm
Length of material cross cut using stops in fence	72 in	1830 mm
With extension table	34 in	860 mm
Height of table from floor level	44 in	1120 mm
Depth of standard table front to back	51½ in	1300 mm
Width over sliding and fixed tables	44 x 16½ in	1120 x 420 mm
Size of standard sliding table	6 in	150 mm
Throat between fixed and sliding table opens	45°	45°
Saw cants up to	45°	45°
Ripping fence cants up to	3000 rev/min	3000 rev/min
Speed of saw spindle	1½ in	31.7 mm
Diameter of saw spindle	7.5hp	5.5 kW
Horsepower of motor	88 x 60 in	2235 x 1525 mm
Floor space with maximum movement with standard table	2130 lb	965 kg
Net weight (approximate)	2400 lb	1090 kg
Gross weight (approximate)	77 ft³	2.18 m³
Shipping dimensions		

\* Optional extras

SALES AND SERVICE



## Wadkin Ltd.

Green Lane Works, Leicester, LE5 4PF

Telephone: 0533 769111

Telegrams: } Woodworker, Leicester, Telex.  
Cables: }

Telex: 34646 (Wadkin, G)

and at  
York House, Empire Way, Wembley,  
Middlesex, HA9 0PA

Telephone: 01-902 7714 (3 lines)  
Telex: 262210

As our policy is constantly to improve the design of Wadkin woodworking machinery the details given in this leaflet are not to be regarded as binding.