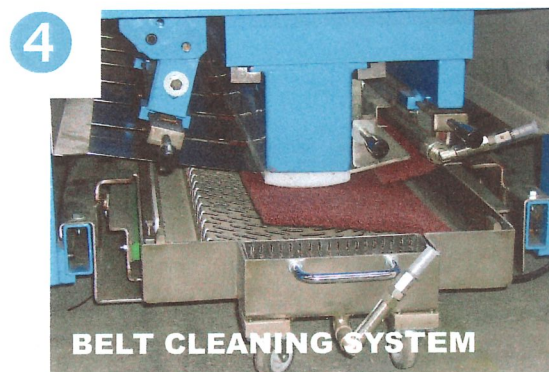
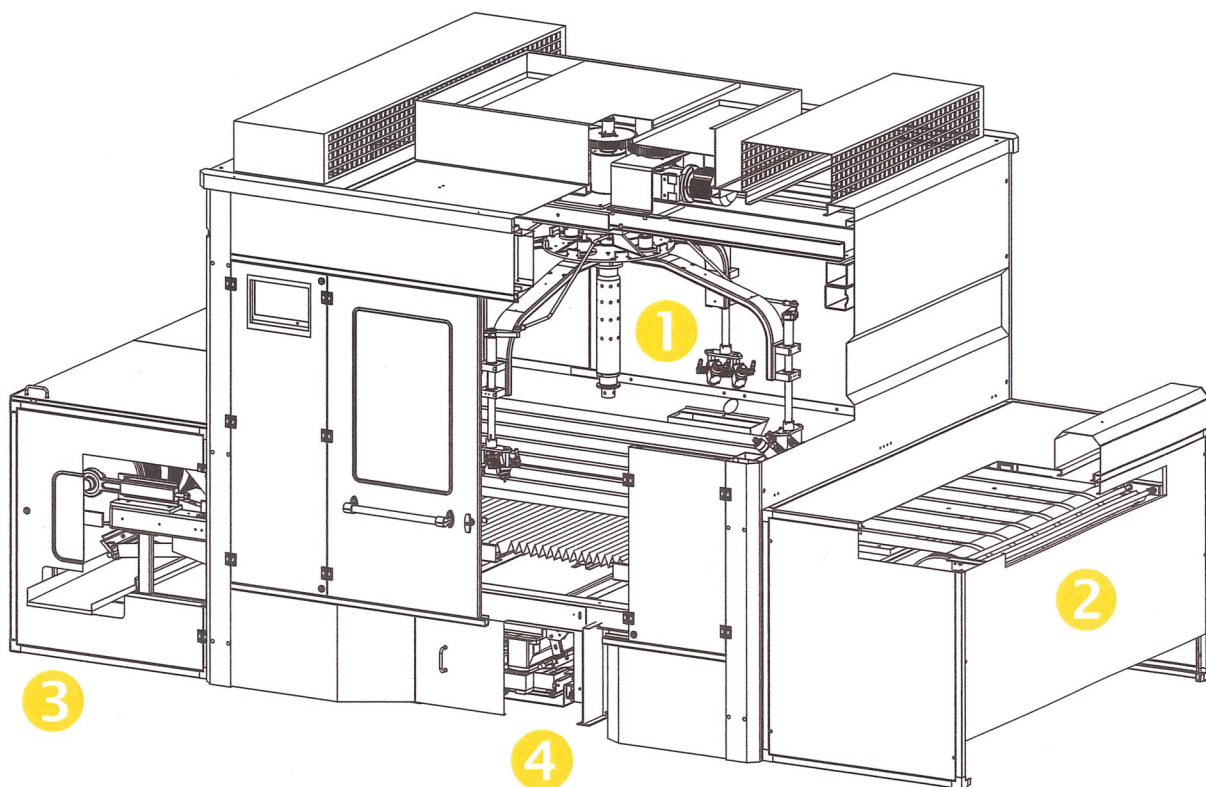
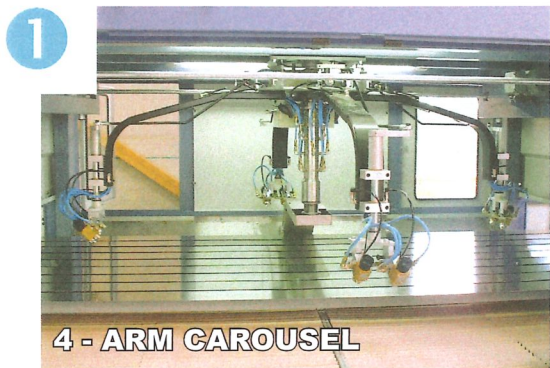


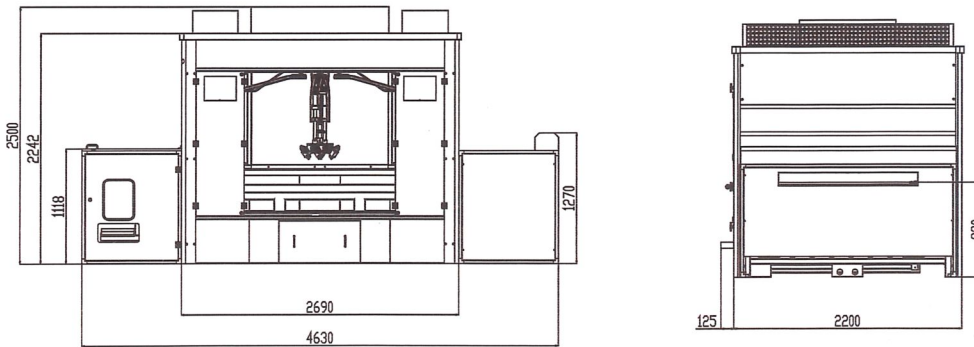
- Spraying Machine - ROTOCLEAN-S



MAIN TECHNICAL DATA	
Electrical power	4,9 kW
Total airflow	8,500 m³/h
Outlet diameter	450 mm
Compressed air Pneumatic connection Consumption	6 bars 30 m³/h
Conveyor Stainless steel belts Width Feed speed	7 x 150 mm 1,290 mm 2,4 to 10 m/min
Carousel Rotation speed (adjustable) Usable width (edges included)	18 Rpm 1,250 mm
Net weight	3,000 kg

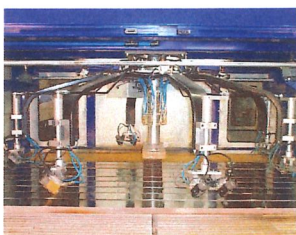


DIMENSIONS



OPTIONS

8-arm carousel



Compensation on the top of the spraying machine



Touch screen

