

**Flexible.  
Precise.  
Unique.**

**HC HOMAG**

**Our edge banding machines**  
EDGETEQ S-240

**YOUR SOLUTION**





## Perfect edges for discerning customers manufactured with flexible machines

Individual customer needs and preferences, sophisticated products and a wide range of materials – all factors which play a major role in today's woodworking industry. Here, production flexibility and efficiency are key – particularly for woodworking shops and medium-sized enterprises.

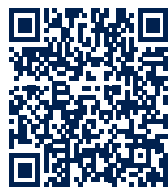
HOMAG offers unbeatable benefits and has a presence on the ground with international production plants and sales and service companies with around 6,600 staff members in over 100 countries around the world. Work with HOMAG to create a sharp competitive edge and security for your business in the long term.

We are:

### **YOUR SOLUTION**

**MORE: [HOMAG.COM](https://www.homag.com)**

---



## **Content**

- 04 All inclusive as standard
- 05 Edge parameters
- 08 Models 1200 airTec, Highflex
- 12 powerTouch / easy Touch control systems
- 14 Our units
- 30 Technical data
- 32 LOOPTEQ return conveyor
- 34 LifeCycleServices

## All inclusive as standard

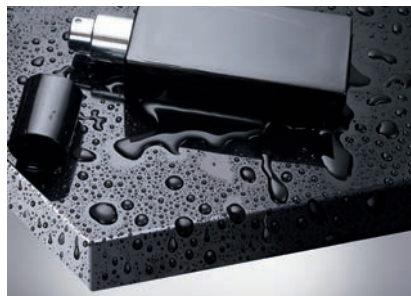
**THE MOST IMPORTANT FEATURES OF THE 11 MODELS.** These series are characterized by its comprehensive equipment standard: PU top-pressure-rollers for precision workpiece guidance, optimized trimming tools for optimum chip disposal and perfect processing quality. All machines can also be extended. On defined machines, e.g. units can be exchanged. HOMAG machines EDGETEQ S-240 are energy-saving and environmentally friendly.

- **High-grade furniture with high edge quality**
- **More output through high availability**
- **Low energy requirement**
- **Outstanding economy**
- **Optimum cost-to-performance ratio**



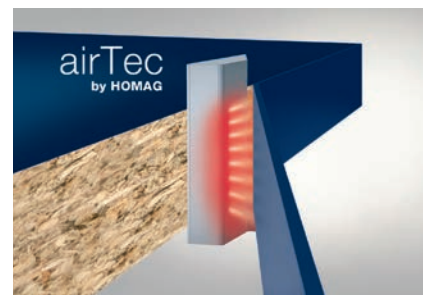
### **Gluing units – safe hot-melt glue application**

HOMAG gluing units are qualified for quick, friction-locked gluing. The heated glue roll provides an optimum glue temperature. Standard is an EVA pre-melting.



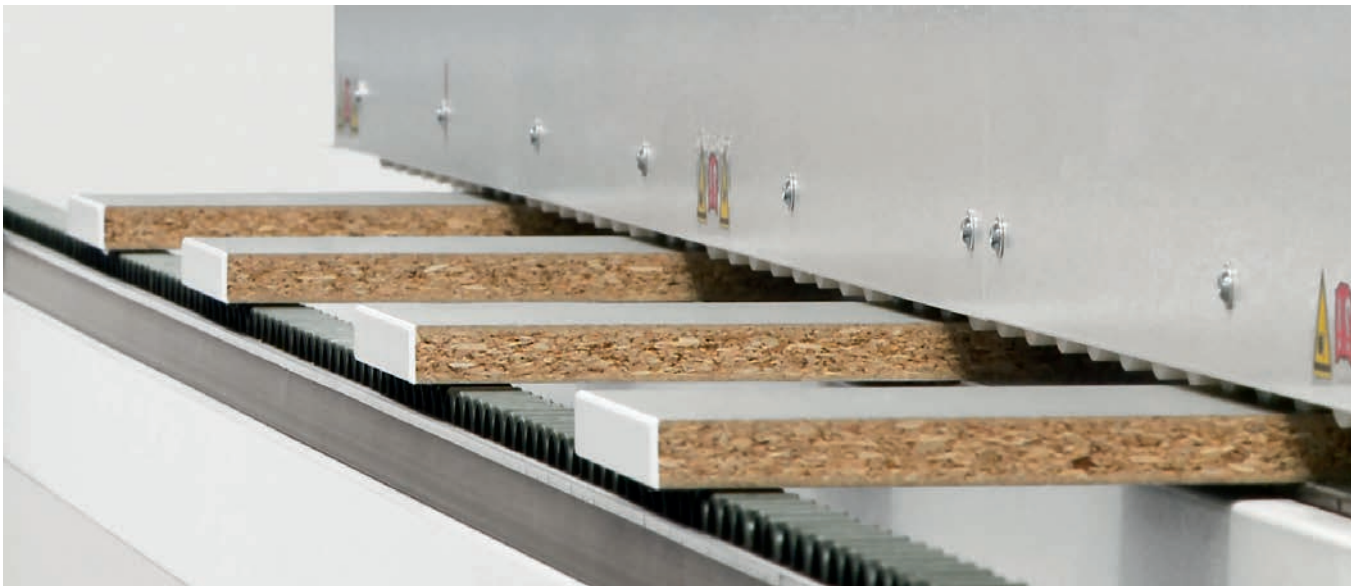
### **Edge banding with PUR**

PUR adhesives are used by HOMAG on the same machines and with the same application units as EVA hot melt adhesives.



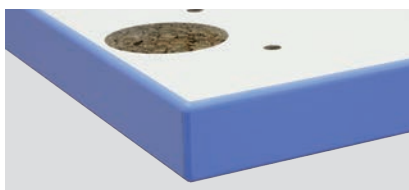
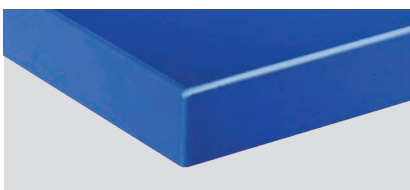
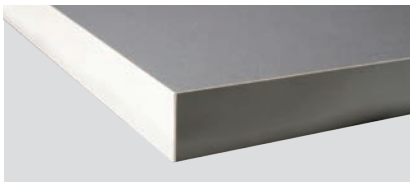
### **Zero joint technology with HOMAG airTec**

Easy integration into the magazine in addition to classical glue application with a glue roller.



## Material types | Edge parameters

High flexibility is achieved by processing all edge materials: 0.3 mm melamine, 2 mm PVC, 6 mm solid strips and veneer. For perfect high-gloss parts, important components such as the automatic adjustment of the glue joint scraper blades are used. Special tracing elements are ideal for machining of acute-angled or obtuse-angled parts or parts with hinge holes.



			a	b	c	d
	<b>SOLID</b> (mm)		with b = 22: min. 70	8 – 60	0.4 – 3.0 (opt. 6.0)	65
	<b>COILS</b> (mm)				0.3 - 3.0	
	<b>STRIPS</b> (mm)				0.4 – 3.0	

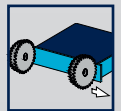
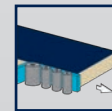
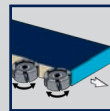


## Our solution for your needs

If you are new to mechanical edge processing, you have come to the right place. Intuitive operation, first automations and flexibility in equipping characterize the compact edge

banding machines of the S-240 series. You have a wish for your office or your registry — we offer the solution with our machines.





## EDGETEQ S-240 – Model 1230 FC

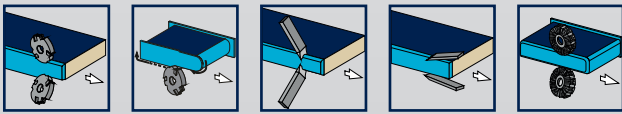
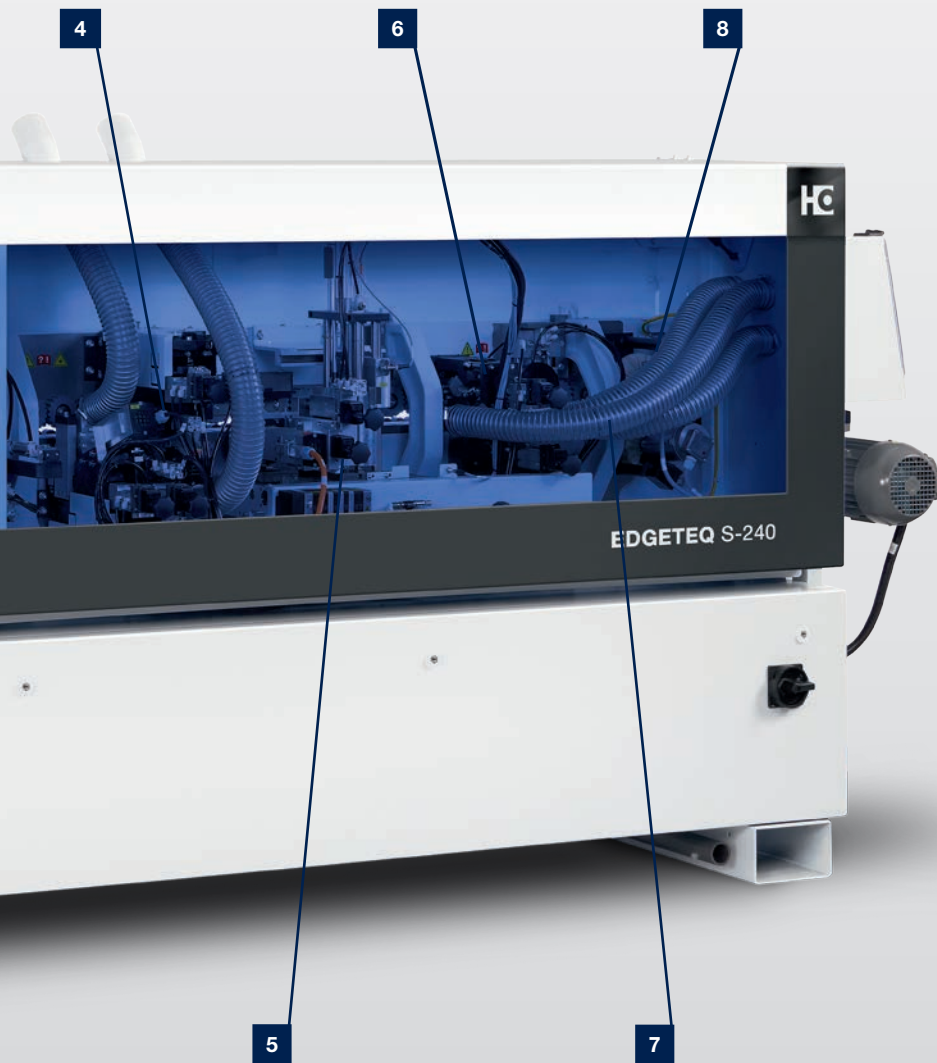
The focus was on providing the complete processing capability previously reserved to the higher machine categories also at the entry level.

This machine is equipped with a precise Quickmelt gluing unit (i.a. for processing of PUR-glue), a tiltable two-motor snipping unit for straight and chamfer snipping, as well as a trimming unit.

For complete processing, a joint trimming unit, a profile trimming unit, a radius scraper, a glue joint scraper and a buffing unit are available for the perfect finish.

Alongside the machine's extensive unit equipment, automation of the units is also a possibility. Pneumatic adjustment of the snipping unit and pneumatic adjustment of the scraper are available in the standard version.





**1** Joint trimming unit

**2** Gluing unit

**3** Snipping unit

**4** Trimming unit

**5** Profile trimming unit

**6** Profile scraper

**7** Glue joint scraper

**8** Buffing unit

## EDGETEQ S-240 – Model 1240 FC

### More flexibility thanks to axial adjustment

This edge banding machine already offers a wide range of automations in the basic version. Automation, e.g. at the pressure zone, at the end trimming unit, at the flush trimming unit and profile trimming unit lead to considerable simplifications and time saving during setup. With the axis adjustments of the units, individual adjustments can be made quickly and efficiently.

For edge banding, the QA65N application system comes with simple cleaning and emptying function. The special coating of the system enables processing of all types of adhesives including PUR.

The highlight in the finish area is the optional multistage scraper with 2 different profiles. It can be fully operated and adjusted via control.



## Model 1220 AT

For joiners with high-end requirements, the EDGETEQ S-240 Model 1220 airTec is the ideal machine. Whether for production of the perfect zero-joint or for other edge processings, the machine always provides the perfect solution. The nerve center of the machine is the gluing unit, which alongside the airTec activation unit also acts as a dual solution, guaranteeing outstanding flexibility. Alongside the magazine, the machine is equipped with a joint trimming unit, a two-motor snipping unit, a trimming unit and a profile trimming unit. A radius scraper and a buffing unit ensure a perfect finish.

The airTec models for the EDGETEQ S-240 series are characterized by their high level of automation and a comprehensive range of processing units.



## Model 1230 HF

The machine is equipped with a precise gluing unit, a tiltable two-motor snipping unit for straight and chamfer snipping, as well as a trimming unit. For complete processing, a joint trimming unit, a profile trimming unit, a radius scraper, a glue joint scraper and a buffing unit are available for the perfect finish. The Highflex machines of the EDGETEQ S-240 series are characterized by its high level of automation and a comprehensive range of processing units. The high degree of flexibility enables adjustment to your specific needs and guarantees optimum edges.





## powerTouch – The new dimension of machine control units

powerTouch represents the operating philosophy of HOMAG: standardized, easy, ergonomic, and evolutionary. The innovative touchscreen operating concept combines design

and function in a completely new generation of control systems.

With Model 1240 FC.

At the heart of the concept is a large, widescreen multitouch monitor that allows machine functions to be controlled directly by touch. The entire programming interface is optimized for powerTouch operation and offers numerous new help and assistant functions that make working processes substantially easier. Standardized operating elements and software modules ensure that all HOMAG edge banding machines from Model 1240 FC can be operated in the same way using this new concept. They differ only in a few machines-specific details. This not only simplifies operating different machines, but also makes for greater efficiency by significantly reducing the time spent on training and service.



### Teleservice reduces on-site service visits

- Reduction in service costs
- Avoids unplanned machine downtimes
- Targeted planning for service visits and spare parts delivery
- Support for maintenance and operating personnel

### The benefits

- **15,6" monitor with full HD resolution**
- **Fast overview of machine status**
- **Easy, user-oriented navigation**
- **Guided path to production readiness through traffic light indicator**
- **New ergonomic design of the operating panel**
- **Intuitive, natural touch operation on the machine**
- **Use of gestures, e.g. scrolling, swiping**



## easyTouch – Simple touches with effective results

The easyTouch control system embodies a new generation of operating systems. The touchscreen surface guarantees fast

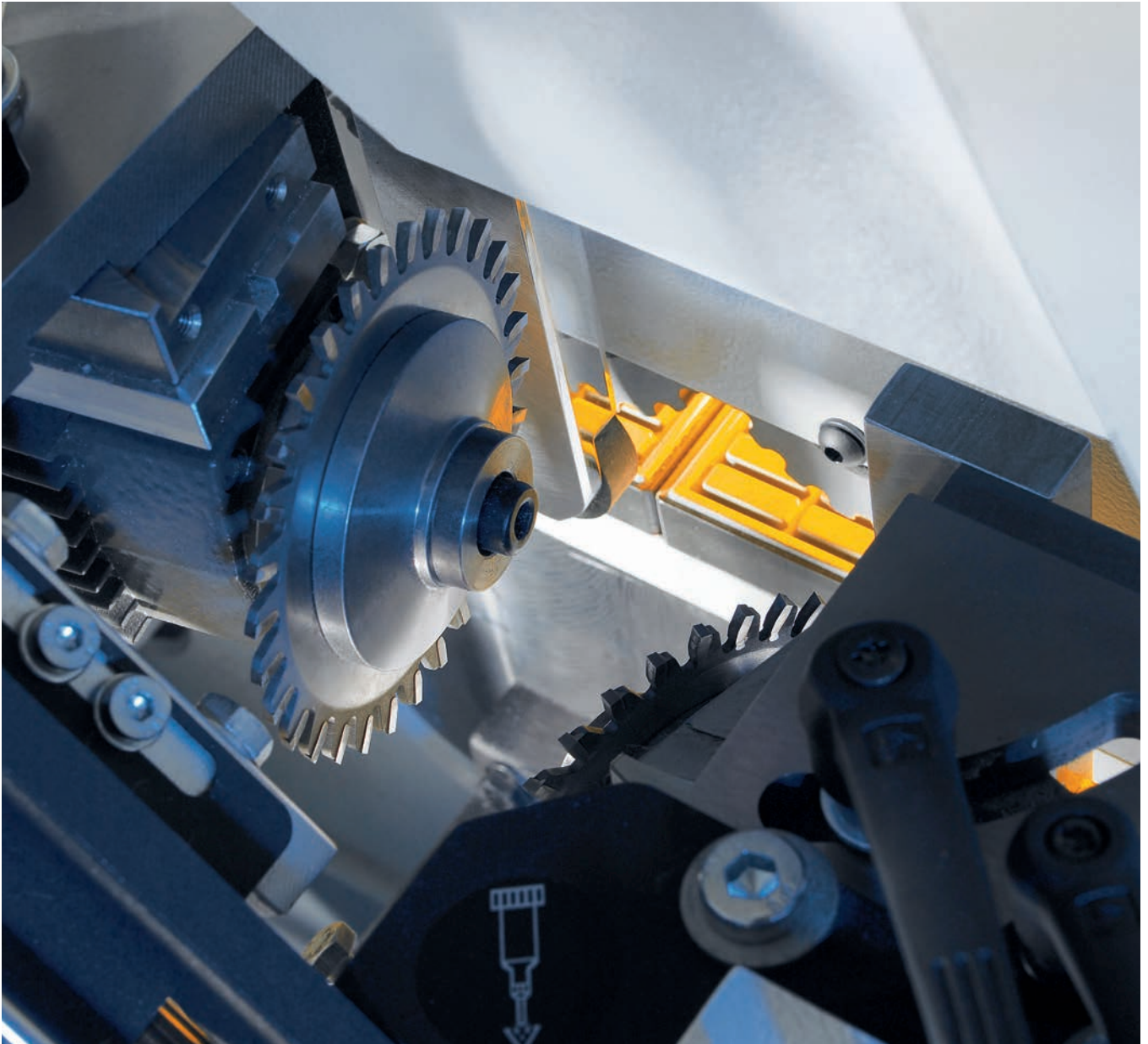
navigation combined with a high level of operating comfort.

### The benefits

- Clear 7" graphic display provides optimum control via touching the control panel directly
- 20 storable programs guarantee flexibility when processing a wide variety of edge materials and changing customer requirements
- Production readiness displayed by traffic light indicator
- Ability to adjust units quickly thanks to direct access via ctrl keys
- Intuitive, user-oriented navigation
- Clear overview of the help and assistant functions, including the glue pot temperature or troubleshooting in plain text

Betriebsdatenerfassung		1. 2mm ABS	
Stunden Gesamt	h	1274:00.00	X
Werkstücke Gesamt	Stück	446942	
Kantenlänge Gesamt	m	384521	
Stunden	h	0:45.00	Reset
Werkstücke	Stück	290	Reset
Kantenlänge	m	233.50	Reset

Exact recording of operating hours per commission due to state-of-the-art operating data acquisition



## Our range of modular units: The right solution no matter what the requirement

For wide-ranging different processing tasks, we use units from our tried and tested modular range. By continuously extending the offered functions, we ensure that you have the right solution available to cope with changing trends.

Presenting a range of units for joint trimming, gluing, snipping, profile trimming, grooving and finish processing. Their extreme precision and state-of-the-art technology will boost the flexibility and efficiency of your production.

## Workpiece feeding

Precise workpiece feeding is a pre-condition to achieve perfect edge quality. Our solutions are your benefit: infeed

fence, infeed stop, sliding carriage or workpiece support.



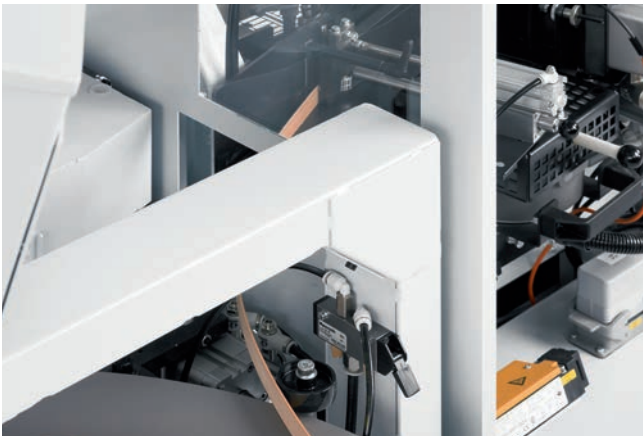
### Automatic infeed guide adjustment

Precise, repeatable program-controlled infeed guide adjustment by means of servo axis.



### Sliding carriage

Robust linear guiding system to secure rectangular workpiece feeding.



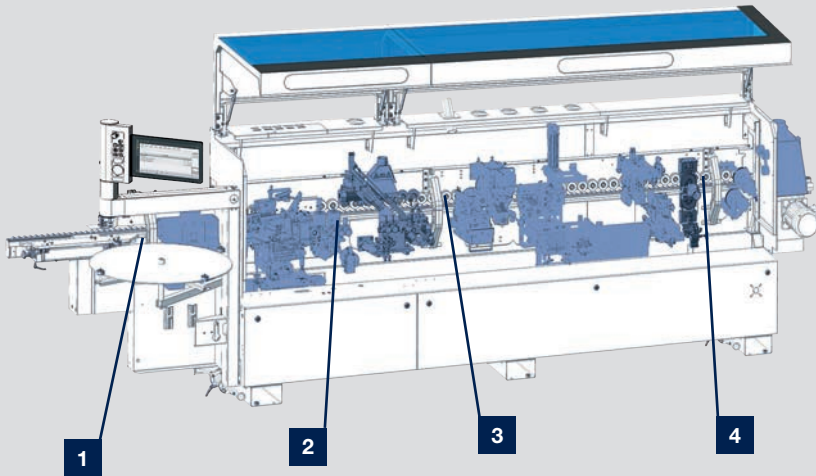
### Insertion device (optional)

Automatic edge infeed for quick edge changes between different rolls of material.

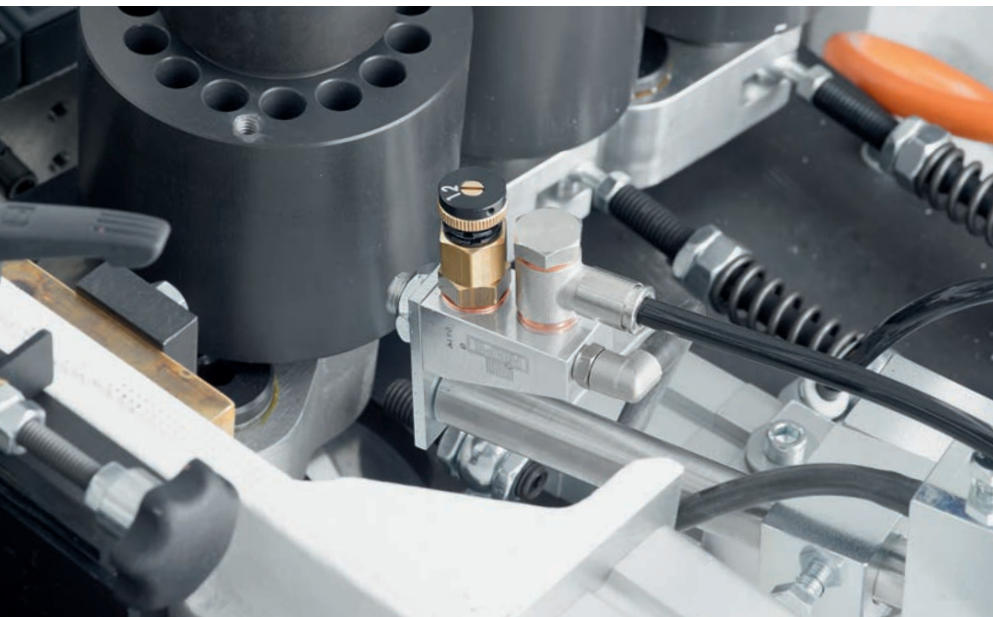
## Spraying units

Spraying units help to improve edge quality throughout the complete processing. Separating agent avoid that hot melt glue residuals adhere to the workpiece and antistatic agent avoid that plastic chips adhere to the workpiece. Cleaning

agent help to easily remove glue residuals. Lubricant is applied to protect sensitive surfaces before trimming and to prevent gloss marks on the workpieces.



- 1** Separating agent
- 2** Lubricant
- 3** Antistatic agent
- 4** Cleaning agent



### **Spraying unit**

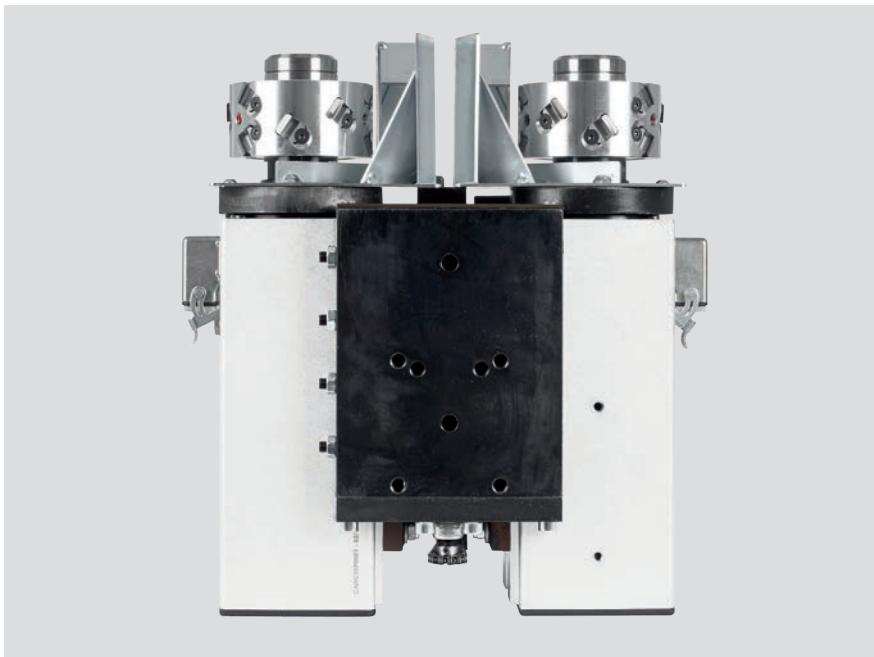
Spraying agents for optimal processing results, even for sensitive surfaces.



## Joint trimming units

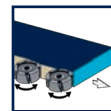
The HOMAG joint trimming unit provides the perfect basis for splinter-free workpiece edges and glue joints with a

consistently high standard of product quality.



### Joint trimming unit

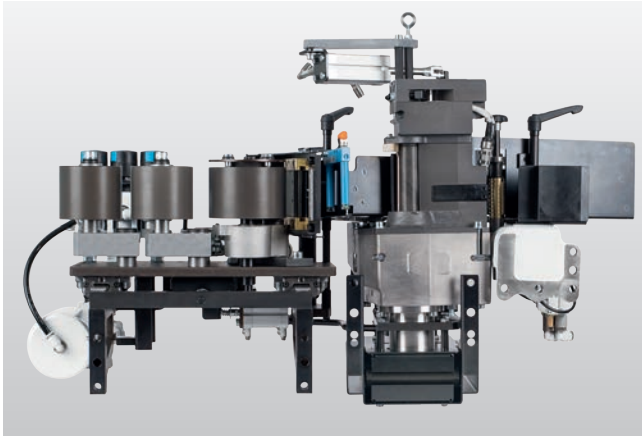
Perfect cut and long service life due to diamond tipped tools for optimum edge joint quality. The diameter is 100 mm.



## Gluing units – reliable hot melt glue application

HOMAG gluing units are ideal for a fast, positive-locking glue bond. The heated glue roller ensures an optimum gluing

temperature.

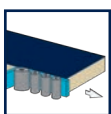
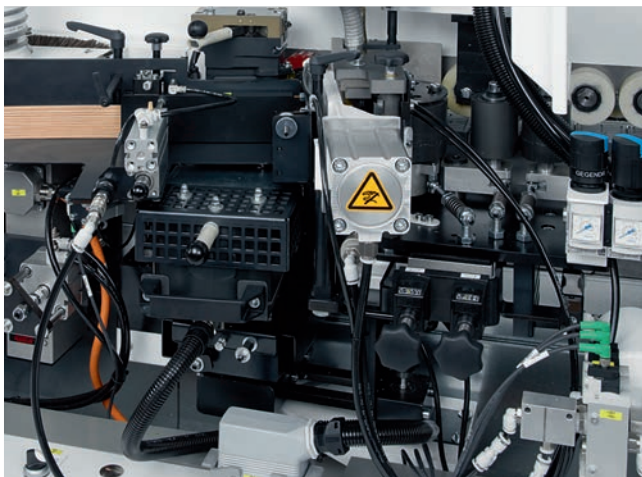


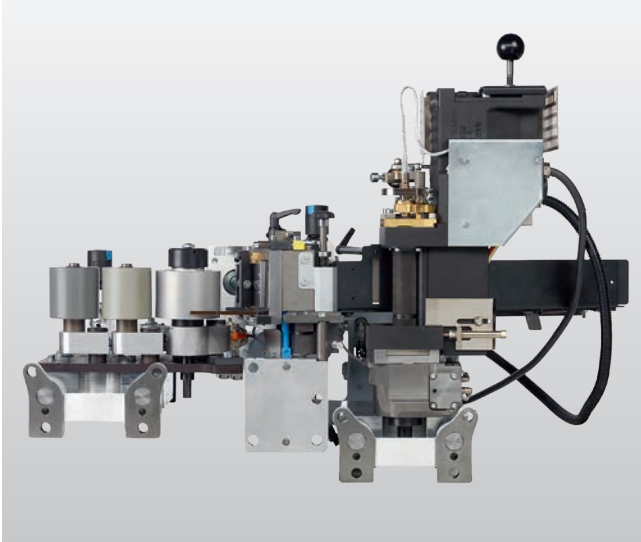
### Gluing units

Quick-change application unit with hot melt glue supply from beneath. Can process PUR granulate.

### Your benefits at a glance

- Optimum glue application on the narrow surface
- Changes to workpiece thicknesses do not necessitate resetting of the glue application roller
- Glue roller lift-off on feed stop
- Glue roller with integrated heating guarantees constant temperature and viscosity for all workpiece thicknesses
- Tracing pad prevents wear of the application roller and ensures a consistent glue film thickness
- Easy removal of the application unit with quick-release lock



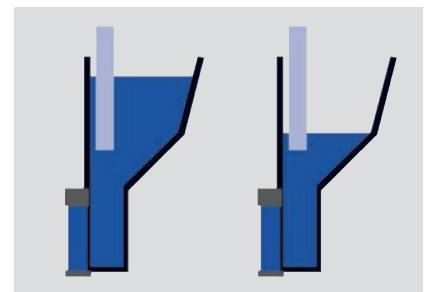
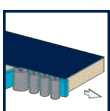
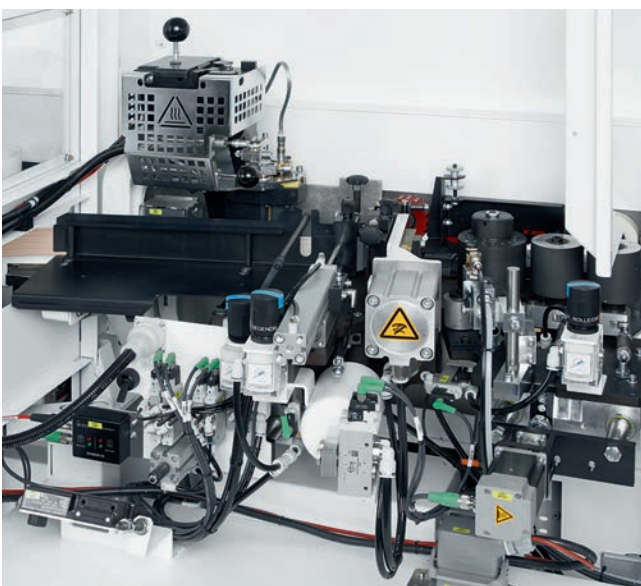


**QA65N glue application system – gravity fed**

The application unit can be easily removed by means of a quick-change device with pneumatic interface.  
From Model 1220 AT.

**Your benefits at a glance  
- QA65N**

- Short heating-up time by sensed level control (2 levels selectable)
- The application unit can be easily removed by means of a quick-release lock for melting hot-melt glue either automatically or manually
- Glue roller with integrated heating guarantees constant temperature and viscosity for all workpiece thicknesses
- Electropneumatic glue roller and tank clamping prevents glue soiling on the trailing edge of the workpiece
- Tracing pad prevents wear of the application roller and ensures a consistent glue film thickness
- Glue roller lift-off on feed stop



**Sensor for checking the fill level of the application unit**

Switching to a lower glue level guarantees a fast heat-up time for processing small batch sizes.

## PUR glue and HOMAG – a strong alliance

The moisture and heat resistance of furniture is increased by the use of polyurethane (PUR) hot melt glue. Its use is ideal for furniture in damp areas such as bathrooms, kitchens and labs.



### Your HOMAG PUR benefits at a glance

- One application unit for all glue types
- No additional application unit needed
- Quick, friction-locked thin film application by glue roll with integrated heater
- Can be used by the entry-level model to highend machine as standard



**PUR pre-melting unit**

- Melting output 2.5 kg/h
- Temperature control to prevent PUR from overheating



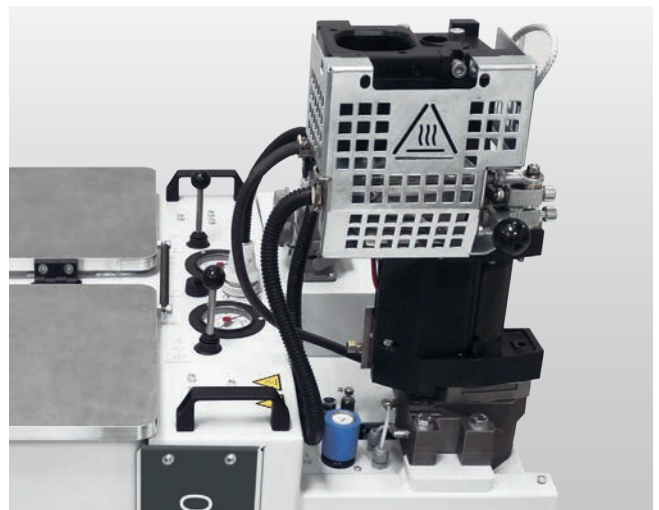
**Vacuum tank**

- Compact, mobile tank for storing the PUR application unit
- No vacuum pump and no nitrogen required



**Service station**

- Pre-heating and cleaning station for the application unit QA65N with a storage area
- High flexibility through the use of 2 vacuum containers, each for one QA65N application unit or a PUR pre-melting unit 2.5 kg/h
- No vacuum pump and no nitrogen required



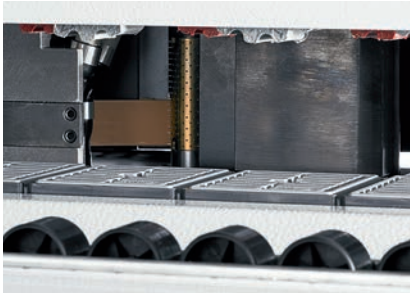
**Service station**

- Picture shows application unit in holding device for preheating

## Systematic gluing

Achieving perfect gluing results depends on the optimum interaction of entirely different factors. The workpiece pre-heating, the application unit, quick clamping system, melting

unit, magazine and pressure zone from HOMAG are all designed for optimum coordination.



### Workpiece pre-heating with contact heating shoe

High-strength gluing due to an optimum workpiece pre-heating.



### Workpiece pre-heating with heaters

High-strength gluing due to optimum workpiece pre-heating.  
With 1240 FC.



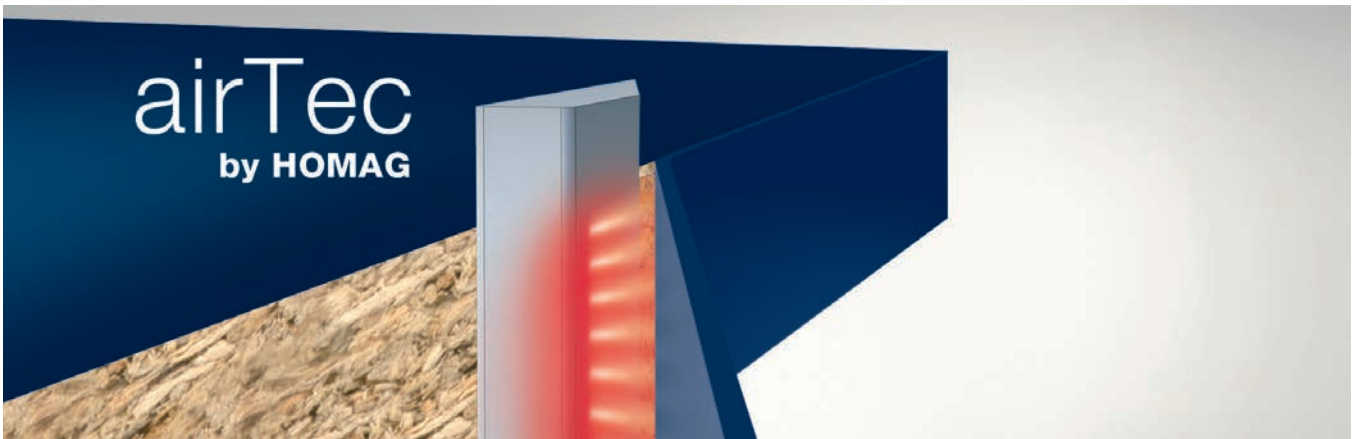
### Pressure zone

Heavy pressure zone up to an edge thickness of 3 mm and a panel height of 50 mm for optimum glue joint quality (optional: 6 mm edge thickness for 60 mm panel height).



### Roller counter pressure

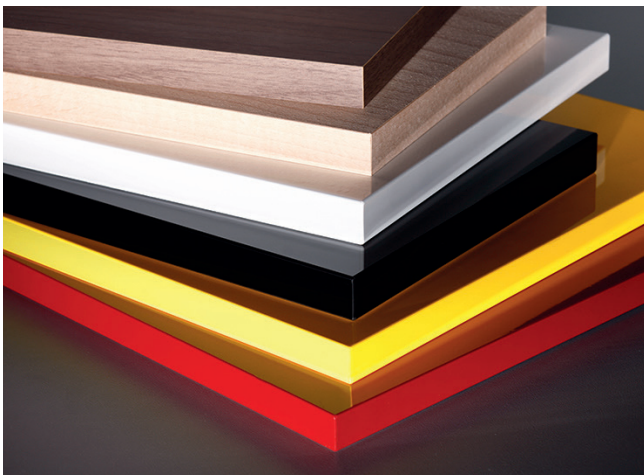
Roller counter pressure for sensitive edge material.



## airTec – the ideal entry into zero joint technology

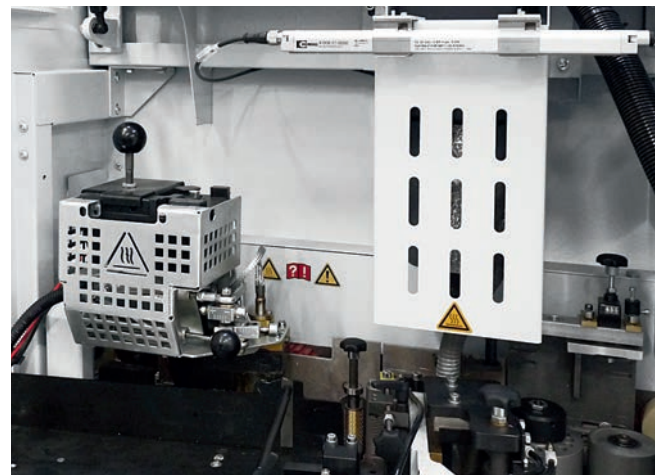
The airTec process has become an established zero joint solution in woodworking shops and SMEs. HOMAG's answer to the growing demand is an innovative, more efficient

and resource-saving airTec solution. airTec can be used to process all types of currently popular, laser suitable edging types. This means great flexibility for all materials and colors.



### Edge banding “without joints”

The airTec method bonds the edging to the panel using hot air. This requires the use of special edges. These comprise a decor layer and a function layer. The HOMAG airTec unit melts the function layer at an even temperature and flow rate and bonds it perfectly to the narrow surface.



### Easy integration

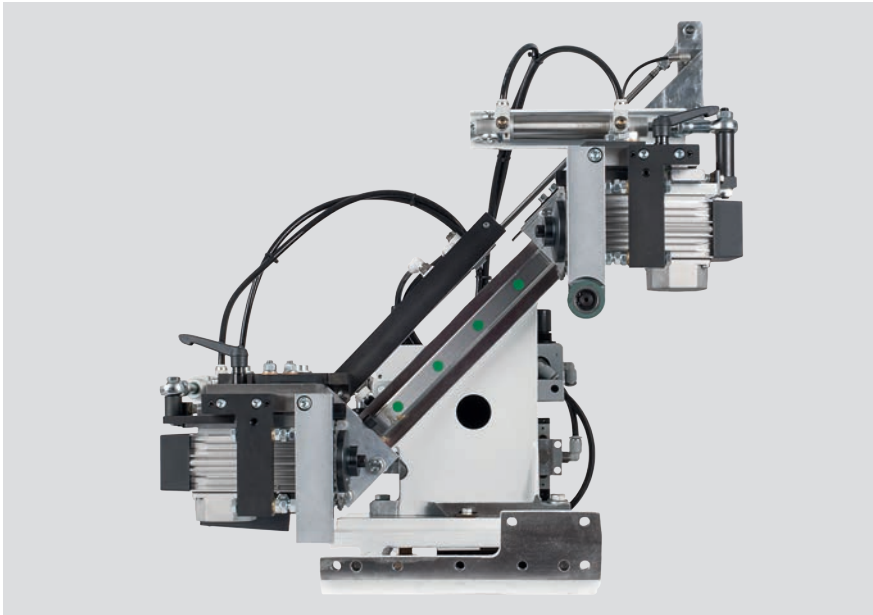
The airTec reactivation unit is installed in such a way that it is possible to work with either the standard application unit or the airTec system.

Image: Model 1220 AT.

## Snipping units for cutting the face side overhang

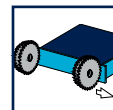
The snipping units prepare the workpieces perfectly for subsequent trimming operation. The face side can be

snipped either straight or with chamfer.



### Snipping unit

Exact snipping cut using a robust snipping unit with a highly precise linear guide. Swivels to easily adjust for chamfer or straight snipping (optional: adjustment using pneumatics).





## Trimming units for flush trimming

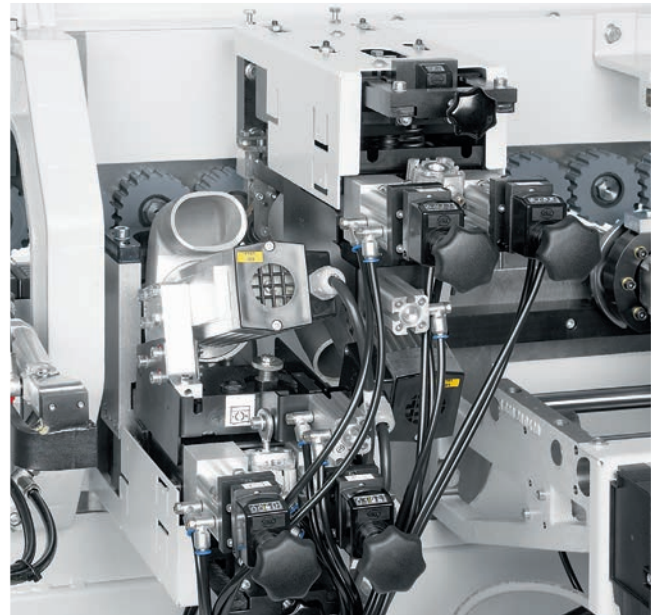
The rough trimming and fine trimming units offer the perfect solutions for processing edge overhangs.

The trimming units are equipped exclusively with tools capable of controlled chip capture.



### Trimming unit

Trimming unit with DFC tool technology (Dust Flow Control) for optimal extraction.



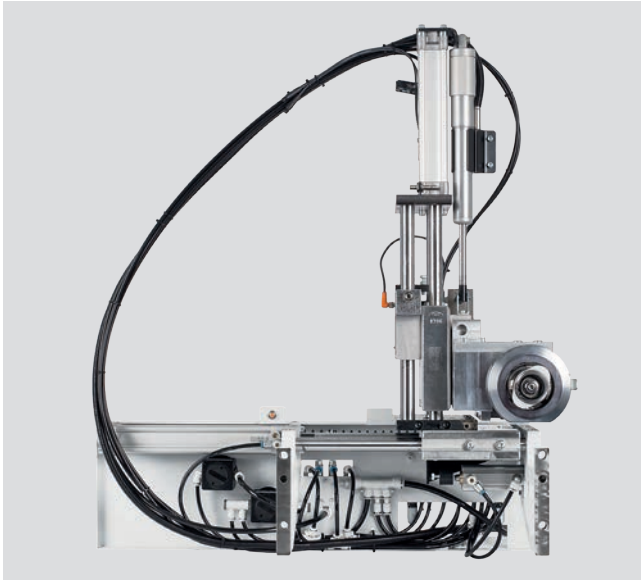
### Trimming unit with pneumatic 3-point adjustment (optional)

For even more effective production and much shorter changeover time.



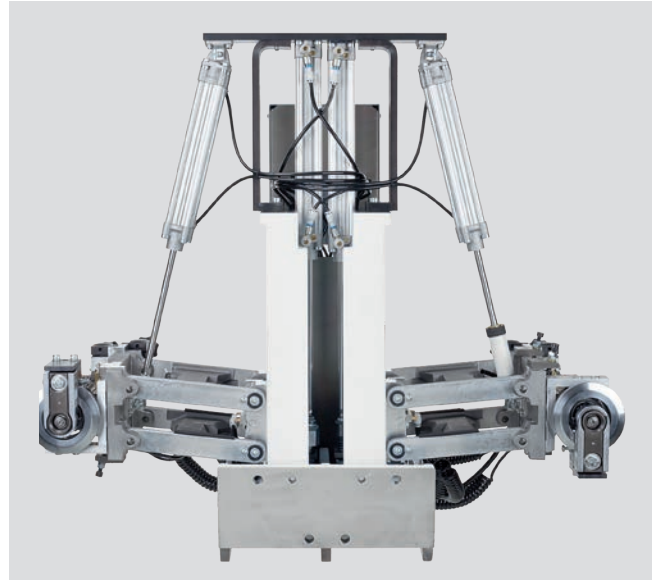
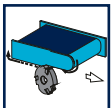
## Profile trimming units

The profile trimming units are universal. The user has the choice to adjust the units manually or to control them via program.



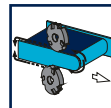
### Profile trimming unit FF10

Optimum profile trimming without making adjustments thanks to linked DIA tool and tracing roller.  
Equipped with an automatic adjustment to switch between thin and thick edges.  
Workpiece thickness up to 60 mm.



### Profile trimming unit FF20

For rounding corners on thick PVC edges, as well as top edges on post-forming and soft-forming parts.  
Equipped with an automatic adjustment to switch between thin and thick edges.  
Workpiece thickness up to 60 mm.  
With Model 1240 FC optional.





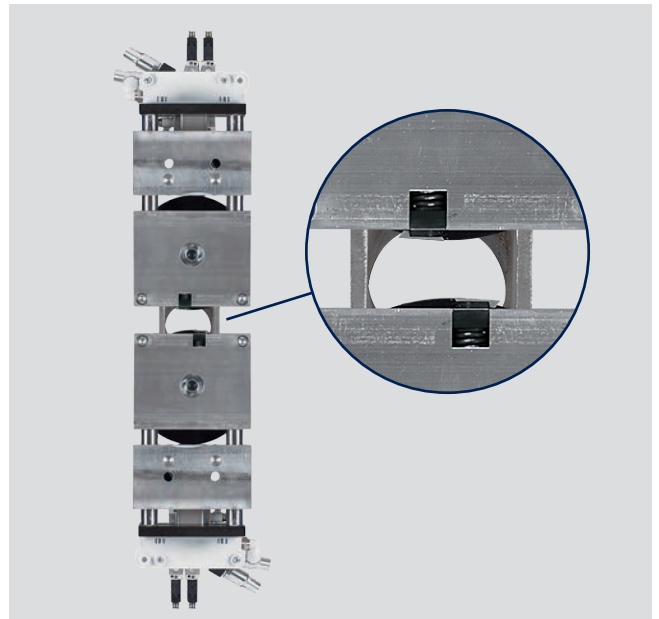
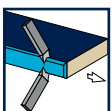
## Finishing units

HOMAG ensures the optimum quality of your products with a range of ideally coordinated finishing units.



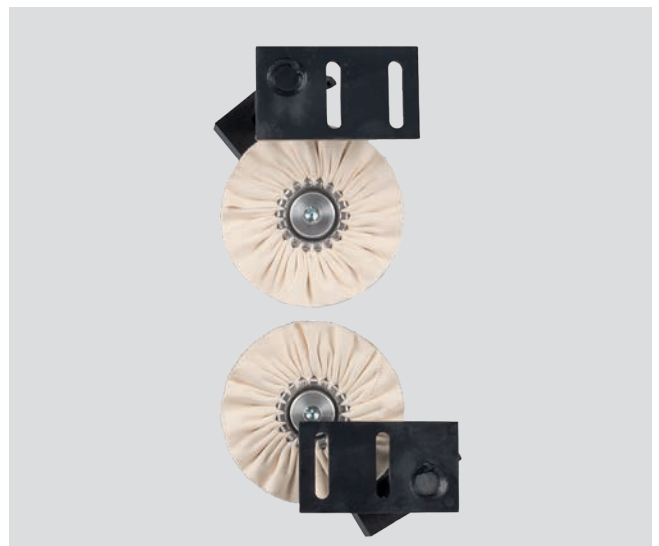
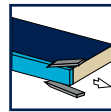
### Profile scraper

Unit to smooth radii or chamfers, equipped with quick change heads for fast profile change.



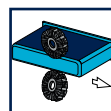
### Glue joint scraper

For the perfect finish.



### Buffing unit

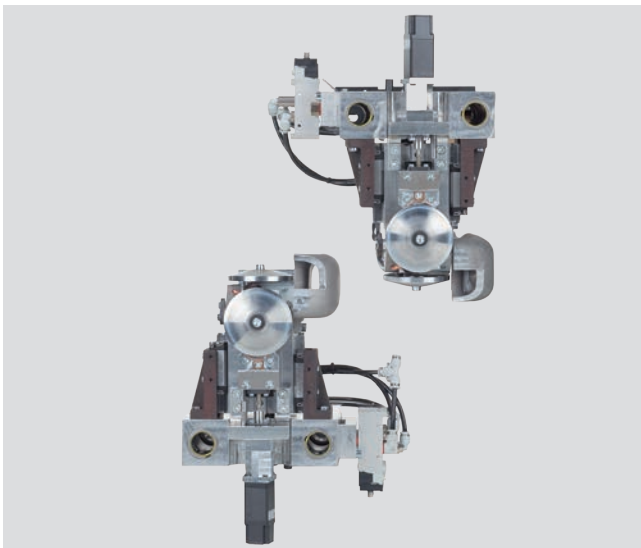
To polish edges and maintain their natural color.



## Finish with multi-stage technology

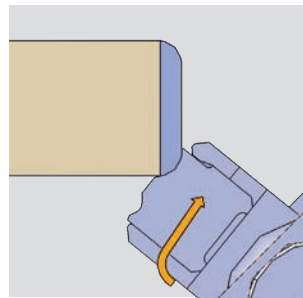
The range of edges and panel materials is continually growing and so is the demand for flexibility. It is immaterial if edges are made from plastic, solid wood or veneer, or if workpieces have high-gloss surfaces.

The multi-stage scraper always offers the optimum radius for frequently changing applications, and therefore the best results.

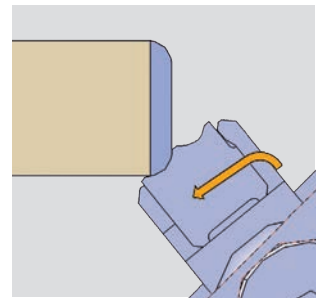


### Multistage scraping unit MZ40

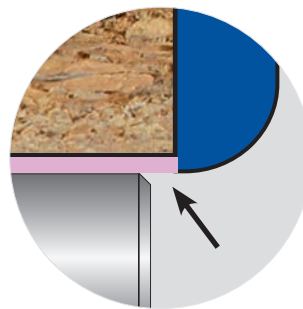
Fully automatic changeover to two different profiles using servo motors\*.  
With Modell 1240 FC.



1. Profile 1

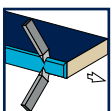


2. Profile 2



Optimum compensation for protective films

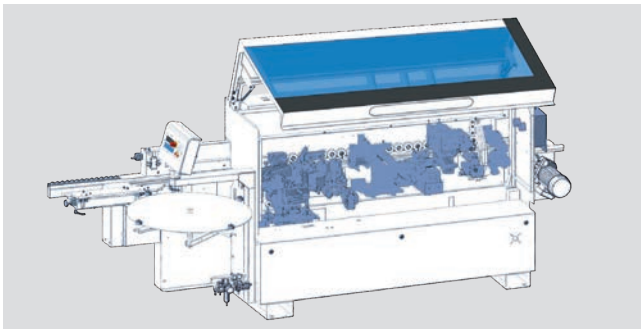
\* Servo motors: Servo drives consist of motors with a stepless adjustment. They impress thanks to a high positioning accuracy and are particularly suitable for small positioning distances.



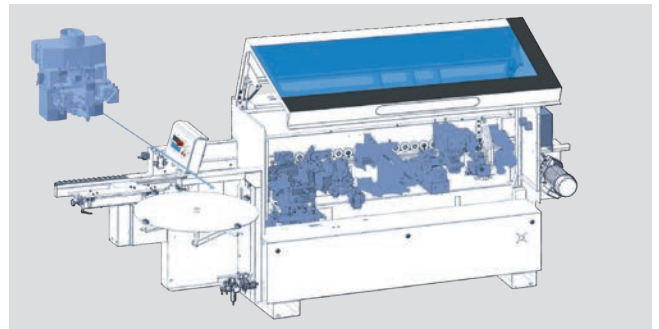
**TECHNICAL DATA FOR EDGETEQ S-240 SERIES**

	Model 1210	Model 1210 F	Model 1220 C	Model 1220 FC	Model 1230 FC
<b>Overall length (mm)</b>	3,515	3,736	4,236	4,236	4,740
<b>Feed speed (m/min)</b>	11	11	11	11	11
<b>WORKING DIMENSIONS</b>					
<b>Workpiece width (mm)*</b>					
with workpiece thickness 8 – 22 mm	70	70	70	70	70
<b>Workpiece thickness (mm)</b>	8 – 50 (opt. 8 – 60)	8 – 50 (opt. 8 – 60)	8 – 50 (opt. 8 – 60)	8 – 50 (opt. 8 – 60)	8 – 50 (opt. 8 – 60)
<b>Edge thickness, coils (mm)</b>	0.3 – 3	0.3 – 3	0.3 – 3	0.3 – 3	0.3 – 3
<b>Edge thickness, strips / solid strips (mm)</b>	0.4 – 3	0.4 – 3	0.4 – 3	0.4 – 3	0.4 – 3

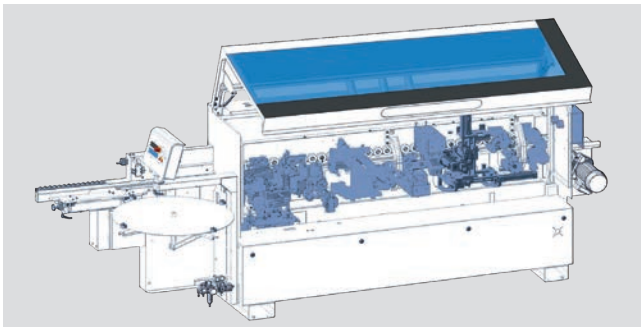
\* depends on the workpiece thickness



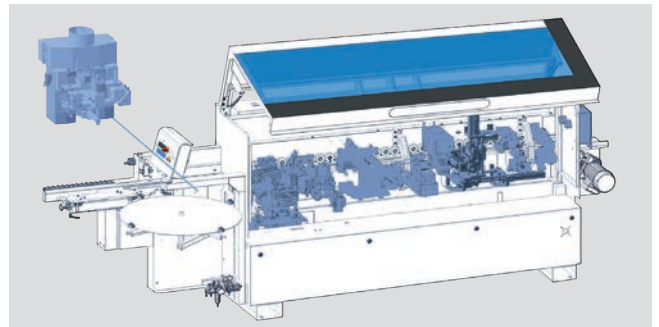
**Model 1210**



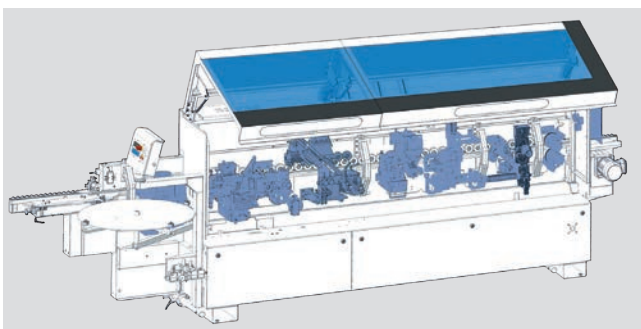
**Model 1210 F**



**Model 1220 C**



**Model 1220 FC**

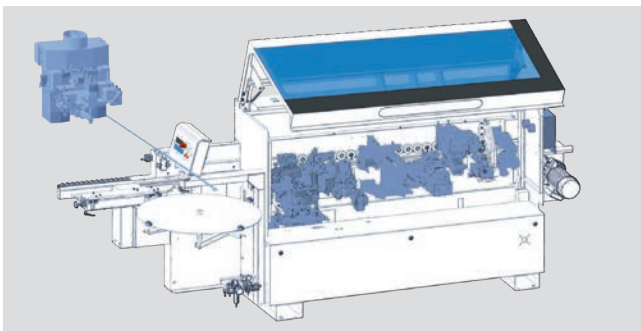


**Model 1230 FC**

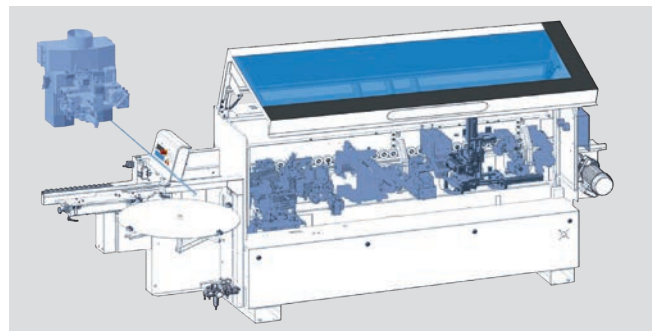
**TECHNICAL DATA FOR EDGETEQ S-240 SERIES**

	Model 1210 HF	Model 1220 HF	Model 1230 HF	Model 1220 AT	Model 1230 AT	Model 1240 FC
<b>Overall length (mm)</b>	3,736	4,236	4,740	4,535	5,035	5,273
<b>Feed speed (m/min)</b>	11	11	11	8	8	11
<b>WORKING DIMENSIONS</b>						
<b>Workpiece width (mm)*</b>						
with workpiece thickness 8 – 22 mm	70	70	70	70	70	70
<b>Workpiece thickness (mm)</b>	8 – 60	8 – 60	8 – 60	8 – 60	8 – 60	8 – 60
<b>Edge thickness, coils (mm)</b>	0.3 – 3	0.3 – 3	0.3 – 3	0.3 – 3	0.3 – 3	0.3 – 3
<b>Edge thickness, strips / solid strips (mm)</b>	0.4 – 6	0.4 – 6	0.4 – 6	0.4 – 6	0.4 – 6	0.4 – 6

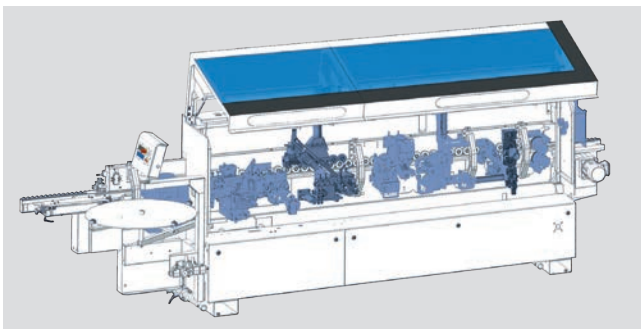
\* depends on the workpiece thickness



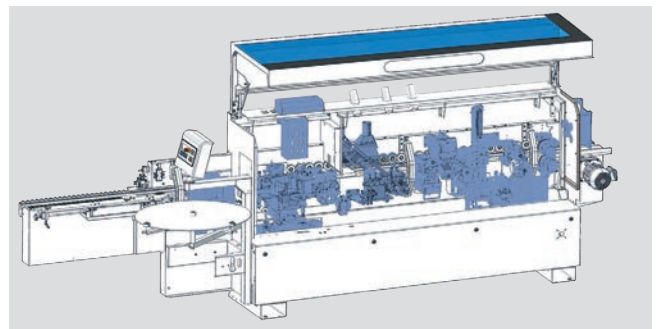
**Model 1210 HF**



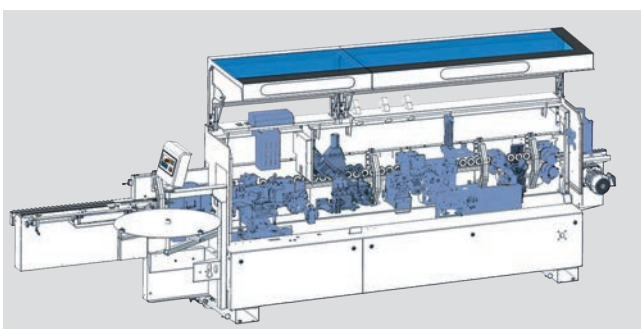
**Model 1220 HF**



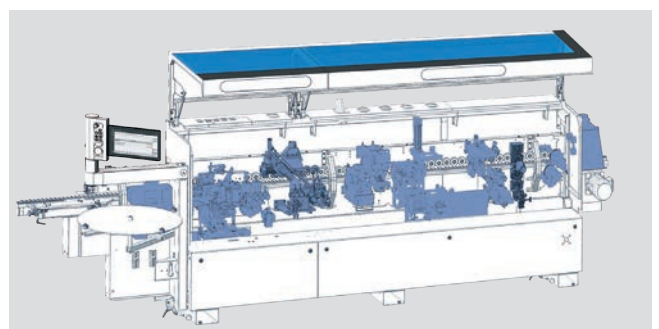
**Model 1230 HF**



**Model 1220 AT**



**Model 1230 AT**



**Model 1240 FC**



## LOOPTEQ O-200 return conveyor: Higher productivity for your HOMAG edge bander

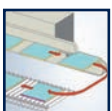
As an indispensable assistant the return system renders your HOMAG EDGETEQ even more economic.

With the one-man-operation you optimize the workpiece return and allow a lean and efficient production process.

Any combination of your HOMAG machine of the EDGETEQ S-300 series with this return system is provided. Ideally suited for customers with small, narrow, and medium-sized workpieces.

### LOOPTEQ O-200

The entry to a comfortable material flow.



### Your benefits at a glance

- **Fast amortization – pays off from 9 hours working time per week**
- **Flexible operator organization – thanks to economic one-man operation**
- **Ergonomic working – manual parts handling is reduced to a minimum**
- **Improved quality control – rapid response to material adjustments**



TECHNICAL DATA	
	LOOPTEQ O-200
Workpiece length (mm)	300 – 2.500
Workpiece width (mm)	50 – 1.450
Workpiece thickness (mm)	8 – 60
<b>4-SIDED PROCESSING*</b>	
min. workpiece length (mm)	300 x 300
max. workpiece length (mm)	1.450 x 1.450
<b>MISCELLANEOUS</b>	
Workpiece weight (kg)	
at length <= 700 mm	max. 30
at length > 700 mm	max. 50
Feed speed (m/min)	8 - 25
Mass per unit area (kg / m <sup>2</sup> )	25

\*Larger workpieces can be returned or fed out at 4-sided processing with manual assistance during crosswise offset and turning.

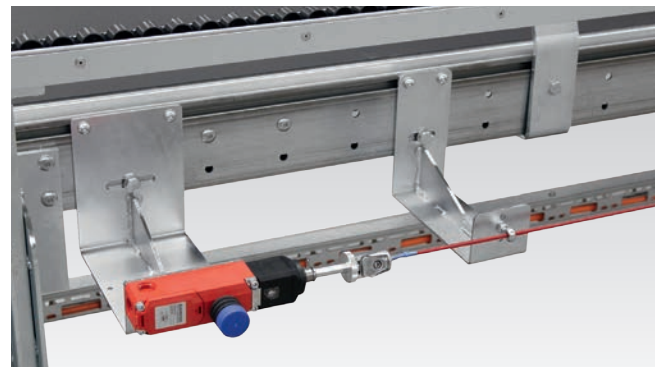
## By the way

The return conveyor already pays off within one year, in fact starting from an operation of 9 hours per week!



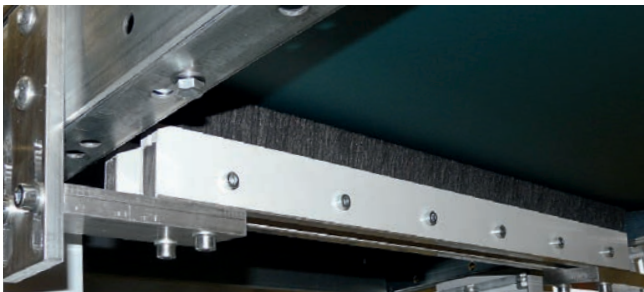
### Sensor-controlled pivot pins

For easier rotation of short and narrow workpieces.



### CE Package

Safety engineering equipment. For the protection of the employees.



### Belt cleaning

For optimal protection against dust and chips.



### Remote control

Separate control panel at the infeed of the edge-banding machine.

# HC LIFE CYCLE SERVICES

Optimal service and individual consultations are included in the purchase of our machines. We support you with service innovations and products which are especially tailored to your requirements. With short response times and fast

customer solutions we guarantee consistently high availability and economical production – over the entire life cycle of your machine.



## REMOTE SERVICE

- Hotline support via remote diagnosis by our trained experts regarding control, mechanics and process technology. Thus, more than 92% less on-site service required and consequently a faster solution for you!
- The ServiceBoard App helps to solve tasks in a fast, simple and concrete way. This is achieved by mobile live video diagnosis, automatic sending of service requests or the online spare parts catalog eParts.



## SPARE PARTS SERVICE

- High spare parts availability and fast delivery.
- Ensuring quality by predefined spare parts and wear parts kits, comprising original spare parts.
- Identify and inquire for spare parts online under [www.eParts.de](http://www.eParts.de) 24/7, or buy even faster and more comfortably in the new HOMAG eShop ([shop.homag.com](http://shop.homag.com)).



## MODERNIZATION

- Keep your machinery up to date and increase your productivity as well as your product quality. This is how you can meet tomorrow's requirements today!
- We support you with upgrades, modernization as well as individual consultancy and developments.



## DIGITAL SERVICES

- serviceRemote – the new remote service solution of the future! Fast restart of production because the remote service employee has extensive access to relevant physical data.
- serviceAssist – provides help for self-help. The preventive solutions proposed in the new App are the combination of our experiences and existing machine data.



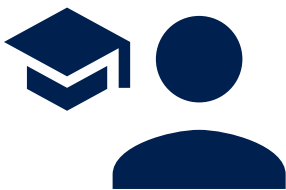
## SOFTWARE

- Telephone support and consultancy through software support.
- Digitalization of your spare parts via 3D scanning saves time and money compared to new programming.
- Subsequent networking of your machinery with intelligent software solutions ranging from construction to production.



## FIELD SERVICE

- Increased machine availability and product quality by certified service staff.
- Regular checks through maintenance / inspection guarantee the highest quality of your products.
- We offer you the highest availability of technicians in order to reduce downtimes in case of unpredictable troubles.



#### TRAINING

- Thanks to training perfectly suited to your requirements, your machine operators can optimally operate and maintain the HOMAG machines.
- The training also includes customer-specific training documents with exercises proven in practice.
- Online training and webinars. Learn without traveling, meet your trainer in the digital classroom.

For you more than...

**1,350**

service employees worldwide

**92%**

less on-site service thanks to successful remote diagnosis

**5,000**

customers in trainings / year

**150,000**

machines, all electronically documented in 28 different languages – in eParts

## **HOMAG Group AG**

info@homag.com

www.homag.com



## **YOUR SOLUTION**