

Follow your passions.

TS200

MARTIN



TS200

The tilting arbor spindle moulder with generous tilting range.

The TS200 tilting arbor spindle moulder is compact yet with 2 x 45° it offers a more than generous tilting range for the cutter spindle. This generous tilting range opens up completely new possibilities for workpiece machining.

The basic model offers a powerful 4 kW motor. Spindle speed can be varied in 5 stages between 1,500 and 9,000 rpm by changing the belt.

With a variety of options, the compact machine can be perfectly adapted to the required tasks. Whether you're already happy with the basic model or if you're searching for the perfect machine for window manufacturing, the TS200 offers great performance at a reasonable price.

TS200 with accessories

[TS200029 | Cast-iron console for feed assembly](#)

[TS200050 | Machine with interchangeable cutter arbor](#)

[TS200115 | Fence jaws made of anodised aluminium](#)

[TS200145 | Rotation selector switch](#)

[TS200158 | Motorised adjustment of spindle height and angle](#)

[TS200160 | Automatic star-delta start-up](#)





Tilting range
2 x 45°

Convenient
adjustment of height
and angle

Available in the standard machine

Hand wheel for height adjustment with digital counter and hand wheel adjustment for angle with degree indicator.

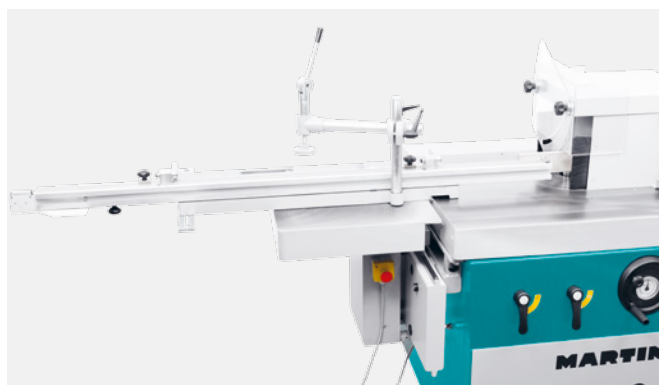
A variety of options for perfect moulding results.



Height and angle adjustment | TS200158

Electric motorised height and angle adjustment | TS200158

The TS200 is easy to use thanks to the motorised height and angle adjustment. You only need to choose between electric-motorised height adjustment or a combination of height and angle adjustment.



Sliding table | TS200031

Heavy sliding table | TS200031

Thanks to its extremely robust design, this sliding table is ideal for cutting difficult mortises and tenons. When not in use, it functions as a convenient table extension. A mortising guard is included in the delivery scope.



Lightweight sliding table | TS200038

Slight tenon, mortising or counter profile work can be easily performed on the small sliding table with 710 mm working range. The sliding carriage is simply mounted on the machine table in front of the fence and runs smoothly on high quality ball bearings.

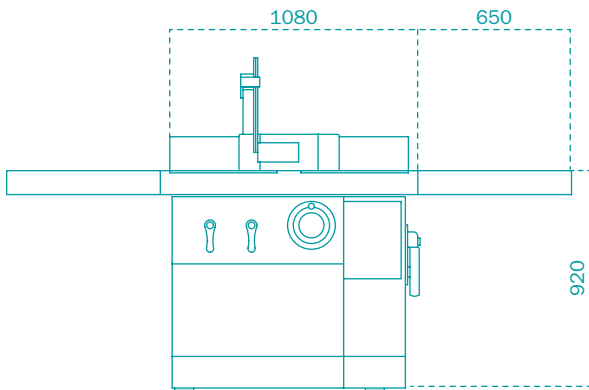
Lightweight sliding table | TS200038



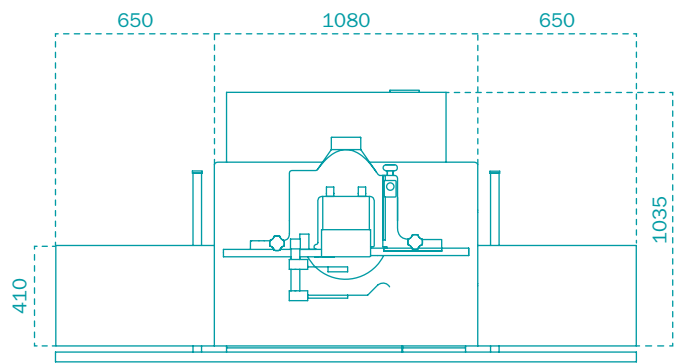
Precise and accurately repeatable.

The optional fence on both sides is controlled with one hand using a hand wheel. The fence jaw (right) is also adjusted using the hand wheel, according to a vernier scale. This jaw is also available with intelligent electronics, in which case the cutting depth is calculated from the diameter of the cutter used. The digital display of the infeed jaw position is also another feature of this fence model.

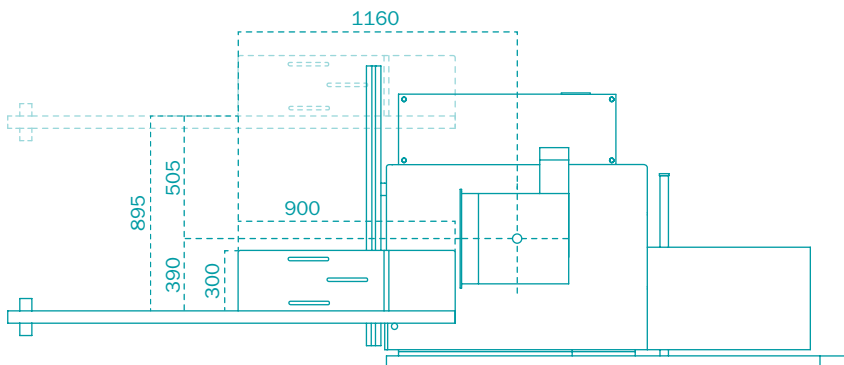
TS200 Tilting arbor spindle moulder



TS200 | Side view



TS200 | Plan view



TS200 | Plan view

Technical Data

TS200 (Tilting arbor spindle moulder)

Motor power optional	4.0 kW 5.5 kW 7.5 kW
Control	–
Control panel	in frame
Spindle stroke	100 mm
Spindle tilt	± 45,0°
Rotational speeds	1,500 3,000 4,500 6,000 9,000 rpm
Table opening	255 205 161 106 74 mm
Display resolution	0,1 mm 0,1°
Repetition accuracy	–
Extraction connections	2 x 120 mm
Weight	Approx. 600 kg

The machines generate very little dust as per BGI 739-1 Annex 1.

All dimensions in millimetres. Made in the European Community.

Dimensions and specifications subject to technical innovation and may be changed without notice.

Illustrations may differ from the original. The binding technical features and equipment are given in the applicable price list.

Visit us at:

Website



Facebook



YouTube



Brochure



Contact us at:

+49 (0) 8332 911 - 0

sales@martin.info

MARTIN