

EDITION 60

The versatile vertical panel saw



EDITION 60 – has the panel under control

Highlights of the STRIEBIG EDITION 60

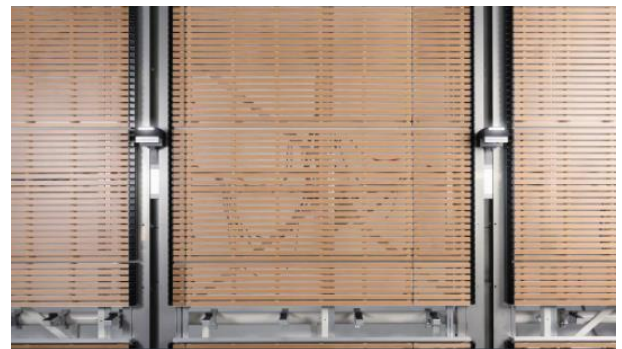
Function and technology optimally combined

1-person operation and smooth finished cut thanks to panel lowering device. There is no need to turn the panel and the cut strips can be directly divided vertically.

Strong and compact panel lowering device (PAV)

The integrated panel lowering device of the EDITION 60 comprises two panel lowering units. It can be used for panel materials up to 3000 × 2150 mm and up to 160 kg (80 kg/PA unit).

With an additional panel lowering unit (optional), panels up to 5000x2150mm and weight up to 240kg (80kg/PA unit) can be processed.



Clear push-button control for easy operation

The EDITION 60 is operated by means of a clear push-button control. The panel lowering device can be moved quickly and precisely by means of 2-hand control.

The LED lights on the panel lowering units guide the operator safely through the sawing process.



Extensive equipment package

The comprehensive equipment package of the EDITION 60 ensures efficient cutting.

- Wooden support wall TRK1 with integrated small parts support made of wood
- Panel lowering device (PAV) with two panel lowering units
- Pneumatic clamping of the motor carriage
- Pneumatically braked support rollers
- Digital measuring system DMS-Y, incl. fine adjustment
- Digital measuring system DMS-X, incl. fine adjustment
- Laser-supported display of the horizontal cut



Hand-guided cutting combined with intelligent panel lowering unit

The EDITION 60 impresses with its extensive standard equipment. The added value of this STRIEBIG woodworking machine is clear and makes convenient panel cutting possible.

Standard equipment

Comprehensive standard equipment

Saw frame

- Self-supporting, torsion-resistant, welded frame with framework bracing on four solid machine feet
- Automatically yielding wooden support wall TRK1 with integrated small parts support made of wood
- Panel lowering device (PAV) with 2 panel lowering units, for panel materials with a maximum weight of 160kg (per PA unit 80kg)
- Length stop profile above centre support to cut point zero
- Continuous length stop profile, above roller support with longitudinal stop
- Precise 17-fold roller support, pneumatically braked
- Swivelling centre support over the entire length, aluminium support grid with plastic supports
- Device for wall assembly
- Aluminium small parts support (1 pair), individually usable

Saw beam and saw unit

- Stable, durable saw bar with double locking mechanism
- Robustly mounted motor carriage for high cutting precision
- Pneumatic clamping of the motor carriage
- Powerful, high-torque saw motor 5.5 kW (7.5 HP)
- Integrated, powerful TRK dust extraction for external extraction system
- Supersilent sound insulation
- Electromagnetic motor brake
- Document holder

Control

- Clear push-button control for easy operation
- Positioning of the panel lowering device with 2 hand control
- Operator guidance by status lights indication on the panel lowering units
- Operating hours counter

Measurement

- Program cam set for recurring mass
- Laser-supported horizontal cut
- Digital measuring system DMS-Y, incl. motorised fine adjustment
- Digital measuring system DMS-X, incl. manual fine adjustment, assembly selectable, above centre support or roller support

Technical specifications

Weight of the saw	ca 1.300 kg
Cutting depth	80 mm
Saw motor power	5,5 kW (7,5 HP)
Saw blade diameter	300 mm
Saw blade bore	30 mm * ¹
Emission sound pressure level at the workplace L _{pA}	83 dB * ²
Saw blade speed	4800 U/min
Panel lowering device (PAV)	2 PA units (opt. 3 rd PA unit)
Max. panel weight per PA unit	80 kg
Max. panel thickness in clamping unit	60 mm
Feed rate of PAV under load	5 m/min
Feed rate of PAV without load	10 m/min
1 extraction connection	ø 140 mm
Compressed air connection	6-10 bar
Wattage	7,5 kW
Network connection	3 x 400 V / 50 Hz

*1 with two side bores ø 9 mm, radius 30 mm

*2 Measurement standards and emission values according to EN 1870-14, measurement uncertainty allowance K = 4 dB (A). (All data refer to EDITION 60 Type 6224.)

For all machines:

Powerful TRK dust extraction significantly below 2 mg/m³. The system used must have an extraction performance of 20 m/s in order to meet the TRK specifications. (Vacuum approx. 1400 Pa. / COMPACT approx. 1470 Pa) at the connector in order to meet the TRK specifications.

Technical note:

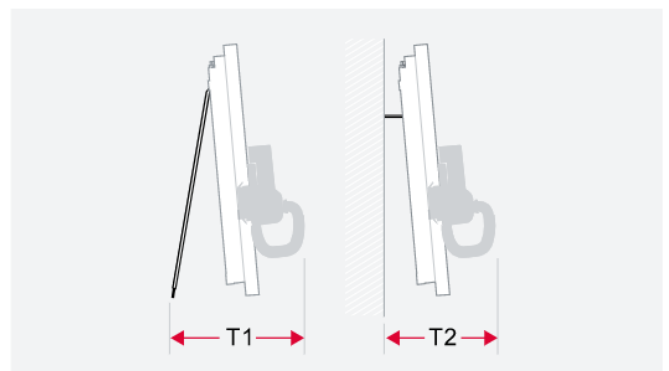
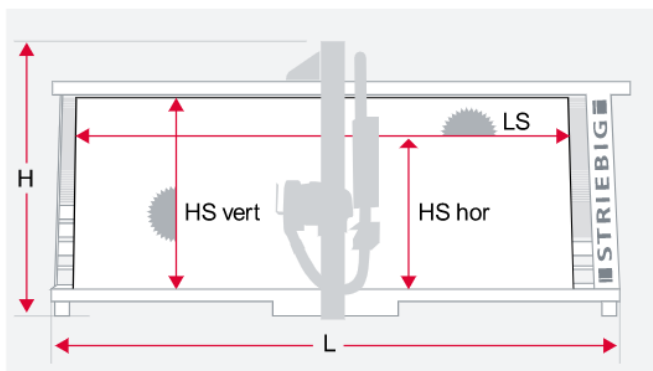
Permissible ambient temperature min: + 5 °C / max. + 40 °Celsius

Relative humidity: 19 - 95% without condensation

In case of mains fluctuations greater than +/- 10% of the nominal voltage, a voltage stabiliser must be installed at the place of use.

The technical specifications are approximate values.

We reserve the right to make changes due to further developments.



Dimensions in mm

Type	L	H	T1 free	T2 wall
6224	6689	3055	1766	1383

Cutting range in mm

Type	LS	HS vertical	HS horizontal
6224	5300	2150	2100
with 2 PA units	3000	2150	2100
with 3 PA units	5000	2150	2100