

UNTHA

shredding technology

Universal shredders



The UNTHA 4-shaft shredders

A 1000+ unit performance history of the versatile shredders with their patented 4-shaft cutting system are pleased to introduce a state-of-the-art new design.

RS 30-4-S

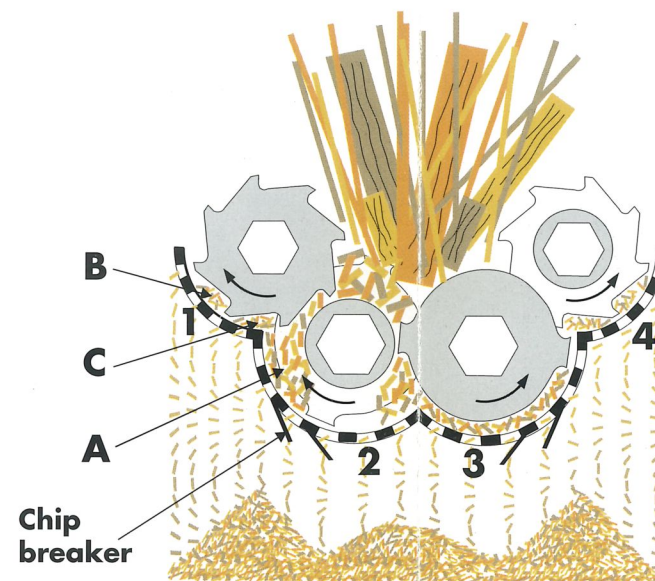


An air evacuation system of the ground material is possible in all four directions

The patented UNTHA 4-shaft system

Material fed into the hopper is quickly and forcibly pulled into the cutting chamber where primary and secondary shredding will be accomplished in "one pass". The material not small enough to pass through the bottom outlet sizing screen will be taken from

the main cutting teeth by the side cutting teeth and recycled back to the main cutting area (A) → **pre shredding**. An additional cutting process follows when the material is recycled by the side cutting teeth (B) → **secondary shredding**.



Additional breakdown of the material will occur during the transition from the main cutters to the side cutters (C). The final product will be a

precisely defined uniform material. Chip breakers will prevent long wooden pieces from passing through the screen.

RS 40-4-S

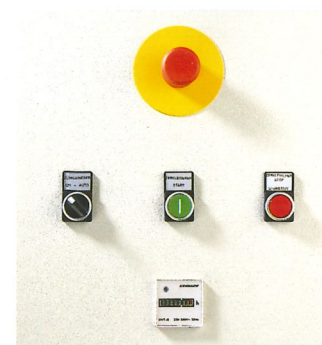


The cutting unit

All four cutting shafts are equipped with aggressive cutting blade teeth that fill the cutting chamber. The four perforated screen sections are fitted very close to the cutting blade teeth covering the whole lower section of the cutting system and this creates high throughput capacities due to the large area of the screen surface-particularly in the side cutting screen sections. The diameters for the screen holes will determine the particle size of the chips. Screens are available with diameters ranging from 15mm to 40mm.



Control



The machine is equipped with a Siemens SPS control unit which contains an automatic reversal control mode. At a pre-set current consumption peak, the system will automatically reverse the cutters which protects the complete system from overload damage. If the unit is running at idle for a period of time and not in use, the system will automatically be "shut-down". Depending on the utilization of the UNTHA, can the control unit be matched to the users requirements.

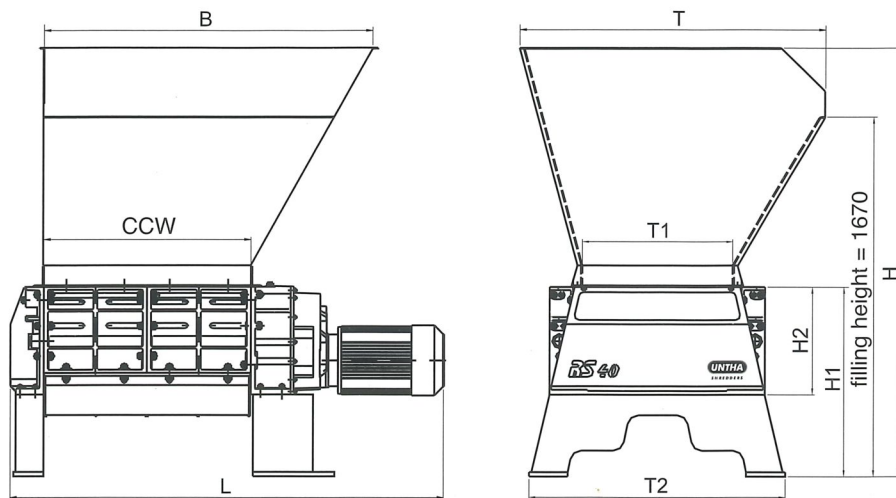
4-shaft shredders

RS 30-4-S • RS 40-4-S

Technical data

UNTHA

shredding technology



Sample applications:

- hard and softwood
- chipboard
- veneer
- boards
- palletts

with special cutting systems:

- paper
- plastics
- etc.

All dimensions in mm / CCW=Cutting chamber width

Machine model/dim.	CCW	L	H	H1	H2	B	T	T1	T2
RS 30/2x5,5kW	450	1250	1900	820	450	1000	1280	560	1090
RS 30/2x7,5kW	450	1300	1900	820	450	1000	1280	560	1090
RS 30/2x11kW	450	1340	1900	820	450	1000	1280	560	1090
RS 40/22kW	450	1360	1970	820	450	1000	1370	700	1190
RS 40/22kW	750	1660	1970	820	450	1300	1370	700	1190
RS 40/30-37kW	480	1530	1990	880	500	1045	1415	700	1190
RS 40/30-37kW	750	1800	1990	880	500	1315	1415	700	1190
RS 40/30-37kW	960	2010	1990	880	500	1525	1415	700	1190

machine model	RS 30	RS 40 /22kW	RS 40 /30-37kW
power (kW)	2x5,5/2x7,5/2x11	2x11	2x15/2x18,5
cutting chamber width (mm)	450 x 560	450/750 x 700	480/750/960 x 700
number of cutting shafts	4	4	4
speed main shaft (r.p.m.)	ca. 23	ca. 20	ca. 23
speed side shaft (r.p.m.)	ca. 34	ca. 28	ca. 32
screen hole diameter (mm)	15-40	15-40	15-40
weight (kg)	ca. 1.100	ca. 1.400/1.700	ca. 1.700/2.100/2.400
capacity at wood (kg/hr)*:			
screen hole diameter 15-25 mm	300-700	400-1.100	500-1.400
screen hole diameter 30-40 mm	800-1.200	800-1.500	1.100-2.000

* depending on condition of material, cutting system and feeding method.

Caution: The machine as shown on the cover must never be operated without hopper because of safety reasons.

The only shredders with the patented UNTHA-4-S-System. Pre- and secondary shredding in one pass.

Distribution partner: